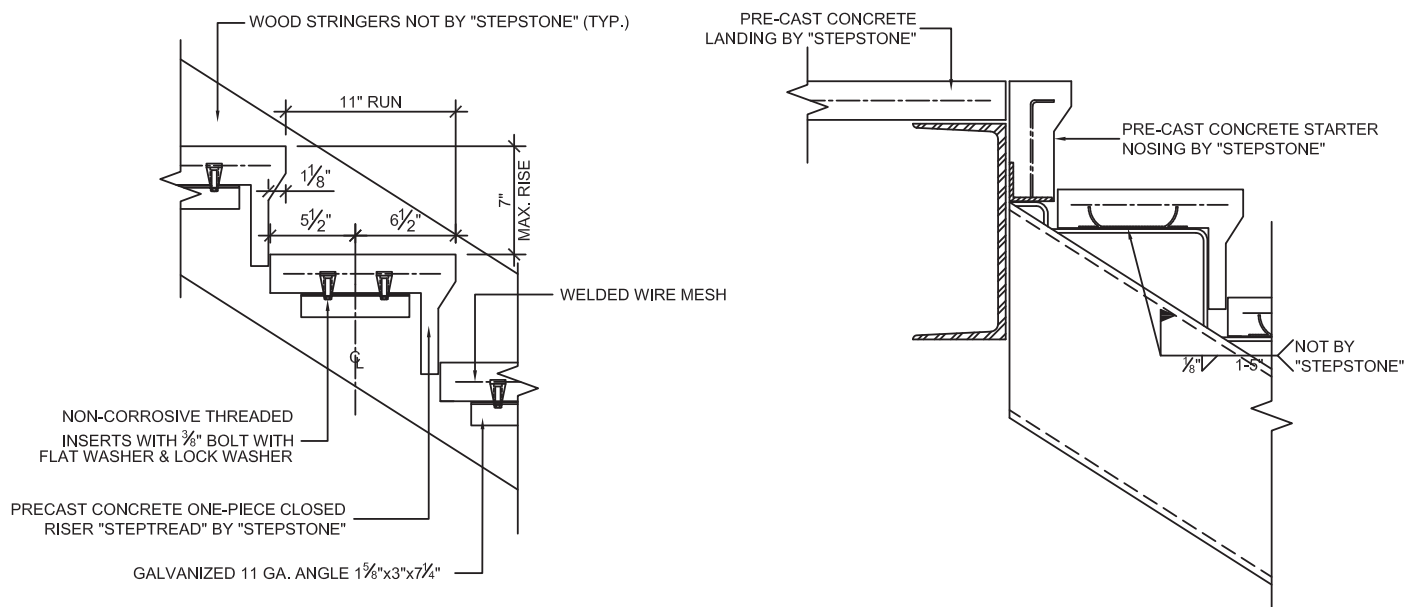


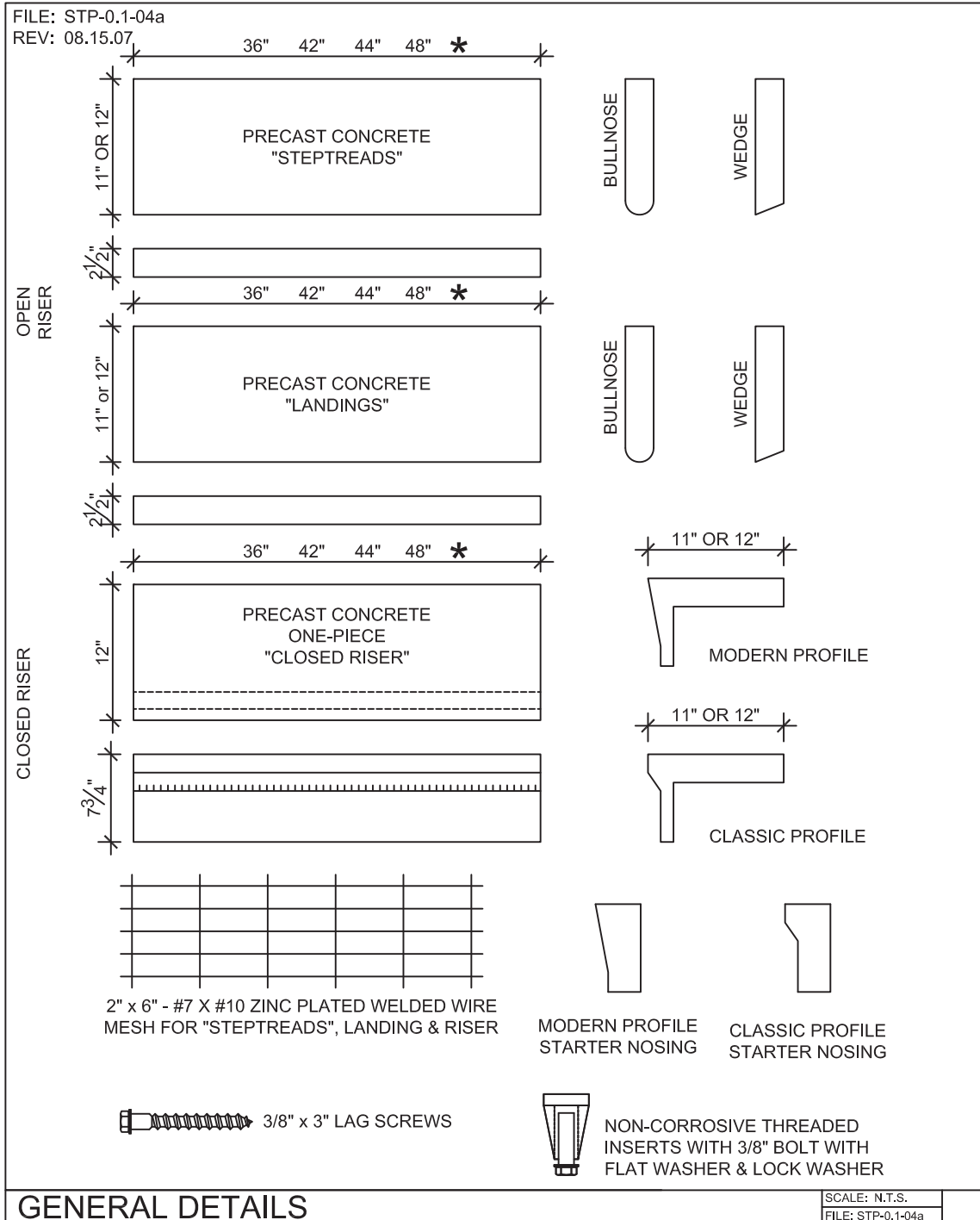
STEPTREAD SYSTEM

STEPTREADS ARE PRECAST CONCRETE STAIR TREADS. THEY MAY BE SUPPORTED BY A WOOD STRUCTURE OR A STEEL STRUCTURE. THEY ARE AVAILABLE IN VARIOUS COLORS AND FINISHES. IN THESE DETAILS YOU WILL FIND GENERAL DETAILS AND DETAILS SPECIFIC TO EITHER WOOD OR STEEL SUPPORTS. YOU MAY CHOOSE ALL OF THE DETAILS OR INDIVIDUAL SECTIONS THAT APPLY TO YOUR PROJECT. THE STEPTREAD SYSTEM INCLUDES INFORMATION ON BOTH THE STEPS AND LANDING PLANKS FOR A COMPLETE DESIGN. THESE DETAILS ARE AVAILABLE TO YOU IN PDF FORMAT, CAD FORMAT, AND DWF FORMAT. STEPSTONE, LLC HAS BEEN MANUFACTURING STEPTREADS SINCE 1963.



PRECAST CONCRETE TREADS, LANDINGS, AND BALCONIES SHOWN ON PLANS SHALL BE FROM THE "STEPTREAD" SYSTEM BY "STEPSTONE, LLC" OF GARDENA, CA. FOR STEEL OR WOOD CONSTRUCTION. THE MANUFACTURER IS TO SUPPLY ALL PRECAST CONCRETE PARTS WITH EACH "STEPTREAD" AND FEATURING EITHER CAST IN THREADED INSERTS FOR BOLTING OR AN EMBEDDED BOTTOM WELD PLATE FOR WELDING. ALL REINFORCING AND CONNECTIONS WILL BE ZINC PLATED. ONLY ITEMS NOTED BY "STEPSTONE, LLC" SHALL BE FURNISHED BY "STEPSTONE, LLC" SUCH ITEMS SHALL BE INSTALLED BY OTHERS.

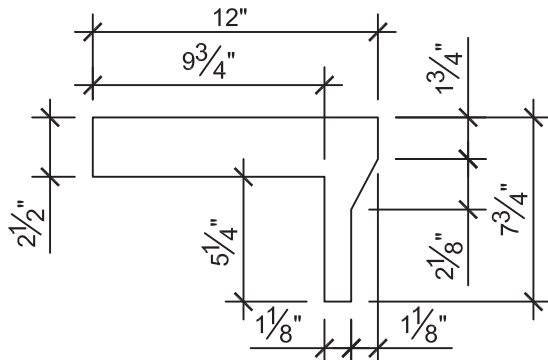
STEPTREAD DETAILS	DRAWING	PAGE #
GENERAL DETAILS/PROFILES AND HARDWARE	STP 0.1-04A/B	PAGE 3-W,4-W
GENERAL DETAILS/CLOSED RISER-CLASSIC PROFILE	STP 0.1-05	PAGE 5-W
GENERAL DETAILS/CLOSED RISER-MODERN PROFILE	STP 0.1-06	PAGE 6-W
GENERAL DETAILS/OPEN RISER PROFILES	STP 0.1-07	PAGE 7-W
GENERAL DETAILS/STRAIGHT STAIR LANDING LAYOUT	STP 0.1-08	PAGE 8-W
GENERAL DETAILS/90° STAIR LANDING LAYOUT	STP 0.1-09	PAGE 9-W
GENERAL DETAILS/180° STAIR LANDING LAYOUT/SCHEDULE	STP 0.1-12	PAGE 10-W,11-W
WOOD SUPPORT LAYOUT/CLOSED RISER-STRAIGHT NO LANDING	STP 1.0-01	PAGE 12-W
WOOD SUPPORT LAYOUT/CLOSED RISER-STRAIGHT LANDING	STP 1.0-02	PAGE 13-W
WOOD SUPPORT LAYOUT/CLOSED RISER-90° LANDING	STP 1.0-03	PAGE 14-W
WOOD SUPPORT LAYOUT/CLOSED RISER-180° LANDING	STP 1.0-04	PAGE 15-W
WOOD SUPPORT LAYOUT/OPEN RISER-STRAIGHT NO LANDING	STP 1.0-05	PAGE 16-W
WOOD SUPPORT LAYOUT/OPEN RISER-STRAIGHT LANDING	STP 1.0-06	PAGE 17-W
WOOD SUPPORT LAYOUT/OPEN RISER-90° LANDING	STP 1.0-07	PAGE 18-W
WOOD SUPPORT LAYOUT/OPEN RISER-180° LANDING	STP 1.0-08	PAGE 19-W
WOOD SUPPORT DETAILS/BOLT ON CONNECTION-CONCEALED ANGLE	STP 3.0-01	PAGE 20-W
WOOD SUPPORT DETAILS/WELD ON CONNECTION-EXPOSED ANGLE	STP 3.0-02	PAGE 21-W
WOOD SUPPORT DETAILS/BOLT ON SECTION-CLOSED RISER, CONCEALED ANGLE	STP 3.0-05	PAGE 22-W
WOOD SUPPORT DETAILS/BOLT ON SECTION-CLOSED RISER, EXPOSED ANGLE	STP 3.0-06	PAGE 23-W
WOOD SUPPORT DETAILS/BOLT ON SECTION-OPEN RISER, CONCEALED ANGLE	STP 3.0-07	PAGE 24-W
WOOD SUPPORT DETAILS/BOLT ON SECTION-OPEN RISER, EXPOSED ANGLE	STP 3.0-08	PAGE 25-W
WOOD SUPPORT DETAILS/BOLT ON CONCEALED CONNECTION-STRAIGHT LANDING	STP 3.0-09	PAGE 26-W
WOOD SUPPORT DETAILS/BOLT ON EXPOSED CONNECTION-STRAIGHT LANDING	STP 3.0-10	PAGE 27-W
WOOD SUPPORT DETAILS/BOLT ON CLOSED RISER-EXPOSED CONNECTION, 90° LANDING	STP 3.0-11	PAGE 28-W
WOOD SUPPORT DETAILS/BOLT ON OPEN RISER-EXPOSED CONNECTION, 90° LANDING	STP 3.0-12	PAGE 29-W
WOOD SUPPORT DETAILS/BOLT ON EXPOSED CONNECTION, 180° LANDING	STP 3.0-13	PAGE 30-W
WOOD SUPPORT DETAILS/BOLT ON SECTION-STARTER STEP, BACK MOUNT "A" BRACKET	STP 3.0-14	PAGE 31-W
WOOD SUPPORT DETAILS/BOLT ON SECTION-STARTER STEP, BACK MOUNT "B" BRACKET	STP 3.0-15	PAGE 32-W
WOOD SUPPORT DETAILS/BOLT ON TOP STEP OPEN RISER CONNECTION-BETWEEN STRINGERS	STP 3.0-16	PAGE 33-W
WOOD SUPPORT DETAILS/BOLT ON SECTION CLOSED RISER-ABOVE STRINGERS	STP 3.0-17	PAGE 34-W



GENERAL DETAILS

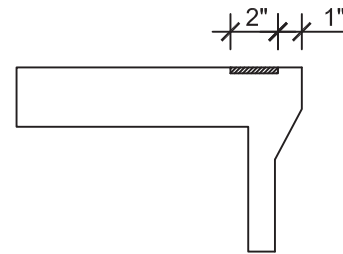
SCALE: N.T.S.
FILE: STP-0.1-04a

FILE: STP-0.1-05
REV: 07.19.07



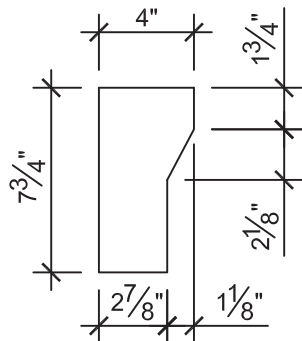
CLASSIC PROFILE

A



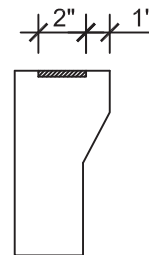
CLASSIC PROFILE WITH INTEGRAL AGGREGATE WARNING DETAIL

B



CLASSIC PROFILE STARTER NOSING

C



CLASSIC PROFILE STARTER NOSING WITH INTEGRAL AGGREGATE WARNING DETAIL

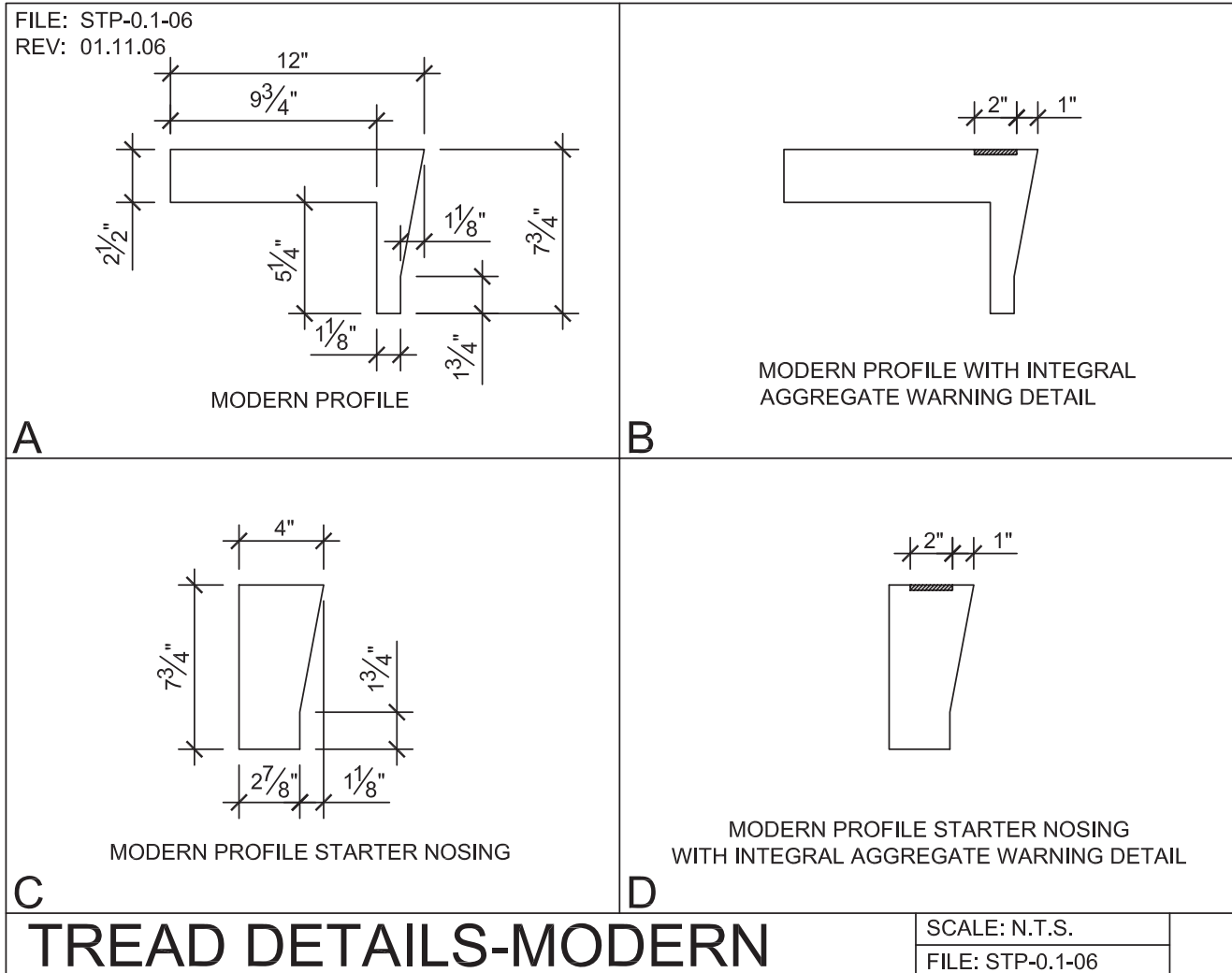
D

TREAD DETAILS-CLASSIC

SCALE: N.T.S.

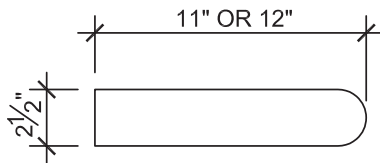
FILE: STP-0.1-05

PRECAST CONCRETE TREADS, LANDINGS, AND BALCONIES SHOWN ON PLANS SHALL BE FROM THE "STEPTREAD" SYSTEM BY "STEPSTONE, LLC" OF GARDENA, CA. FOR STEEL OR WOOD CONSTRUCTION. THE MANUFACTURER IS TO SUPPLY ALL PRECAST CONCRETE PARTS WITH EACH "STEPTREAD" AND FEATURING EITHER CAST IN THREADED INSERTS FOR BOLTING OR AN EMBEDDED BOTTOM WELD PLATE FOR WELDING. ALL REINFORCING AND CONNECTIONS WILL BE ZINC PLATED. ONLY ITEMS NOTED BY "STEPSTONE, LLC" SHALL BE FURNISHED BY "STEPSTONE, LLC" SUCH ITEMS SHALL BE INSTALLED BY OTHERS.



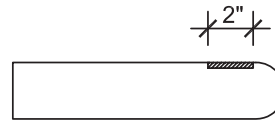
PRECAST CONCRETE TREADS, LANDINGS, AND BALCONIES SHOWN ON PLANS SHALL BE FROM THE "STEPTREAD" SYSTEM BY "STEPSTONE, LLC" OF GARDENA, CA. FOR STEEL OR WOOD CONSTRUCTION. THE MANUFACTURER IS TO SUPPLY ALL PRECAST CONCRETE PARTS WITH EACH "STEPTREAD" AND FEATURING EITHER CAST IN THREADED INSERTS FOR BOLTING OR AN EMBEDDED BOTTOM WELD PLATE FOR WELDING. ALL REINFORCING AND CONNECTIONS WILL BE ZINC PLATED. ONLY ITEMS NOTED BY "STEPSTONE, LLC" SHALL BE FURNISHED BY "STEPSTONE, LLC" SUCH ITEMS SHALL BE INSTALLED BY OTHERS.

FILE: STP-0.1-07
REV: 01.11.06



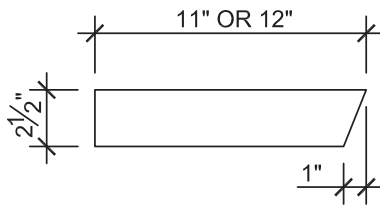
BULLNOSE PROFILE

A



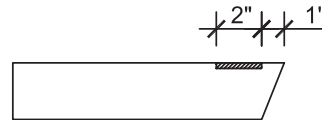
BULLNOSE PROFILE WITH INTEGRAL
AGGREGATE WARNING DETAIL

B



WEDGE PROFILE

C



WEDGE PROFILE WITH INTEGRAL
AGGREGATE WARNING DETAIL

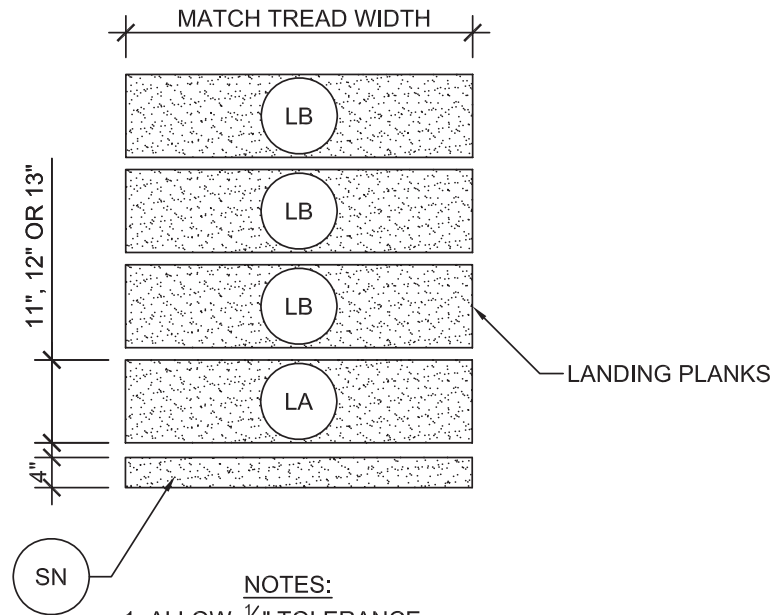
D

TREAD DETAILS-OPEN

SCALE: N.T.S.
FILE: STP-0.1-07

PRECAST CONCRETE TREADS, LANDINGS, AND BALCONIES SHOWN ON PLANS SHALL BE FROM THE "STEPTREAD" SYSTEM BY "STEPSTONE, LLC" OF GARDENA, CA. FOR STEEL OR WOOD CONSTRUCTION. THE MANUFACTURER IS TO SUPPLY ALL PRECAST CONCRETE PARTS WITH EACH "STEPTREAD" AND FEATURING EITHER CAST IN THREADED INSERTS FOR BOLTING OR AN EMBEDDED BOTTOM WELD PLATE FOR WELDING. ALL REINFORCING AND CONNECTIONS WILL BE ZINC PLATED. ONLY ITEMS NOTED BY "STEPSTONE, LLC" SHALL BE FURNISHED BY "STEPSTONE, LLC" SUCH ITEMS SHALL BE INSTALLED BY OTHERS.

FILE: STP-0.1-08
REV: 08.30.12

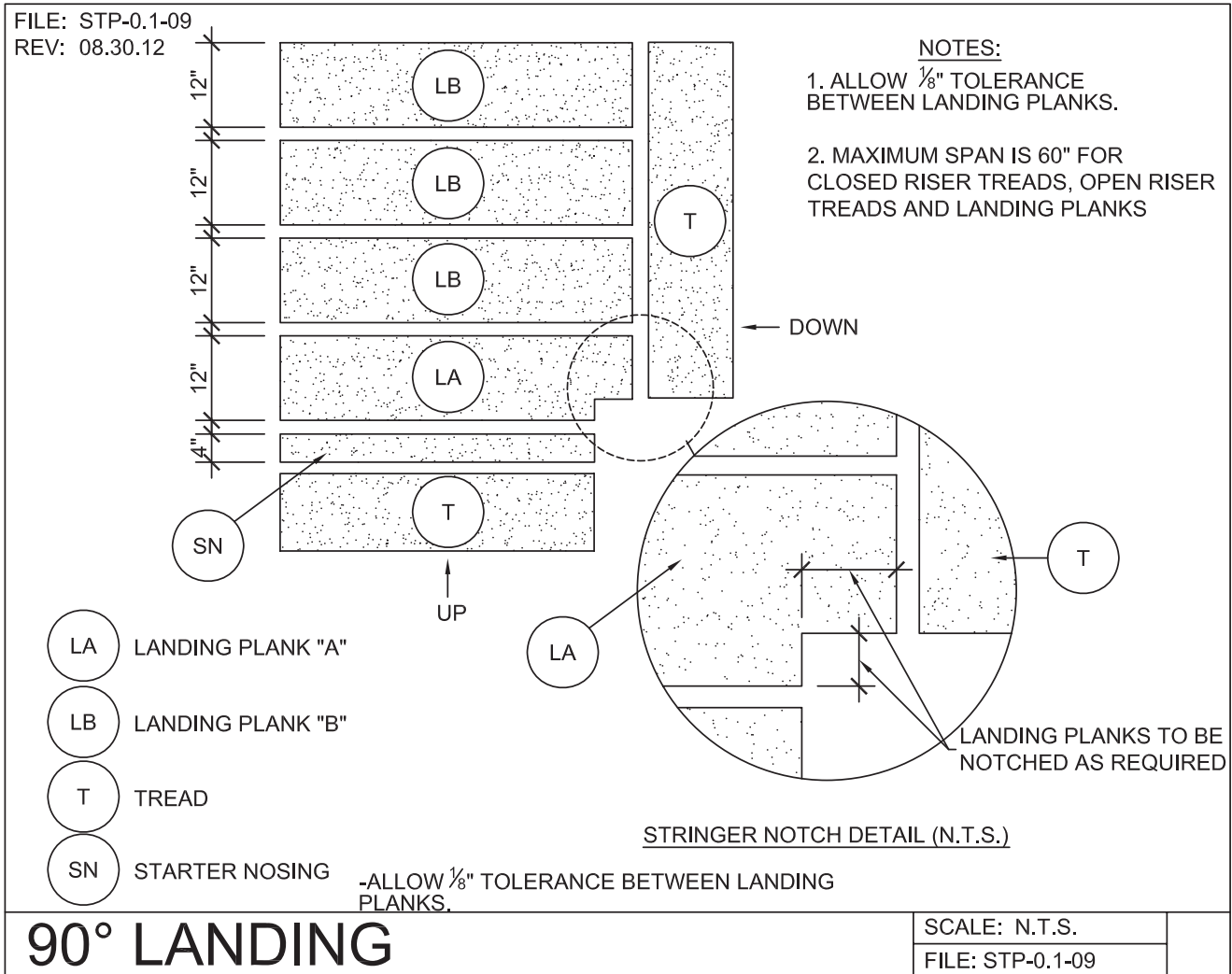


- NOTES:**
1. ALLOW $\frac{1}{8}$ " TOLERANCE BETWEEN LANDING PLANKS.
 2. MAXIMUM SPAN IS 60" FOR CLOSED RISER TREADS, OPEN RISER TREADS AND LANDING PLANKS

STRAIGHT STAIR INTERMEDIATE/ TOP LANDING

SCALE: N.T.S.
FILE: STP-0.1-08

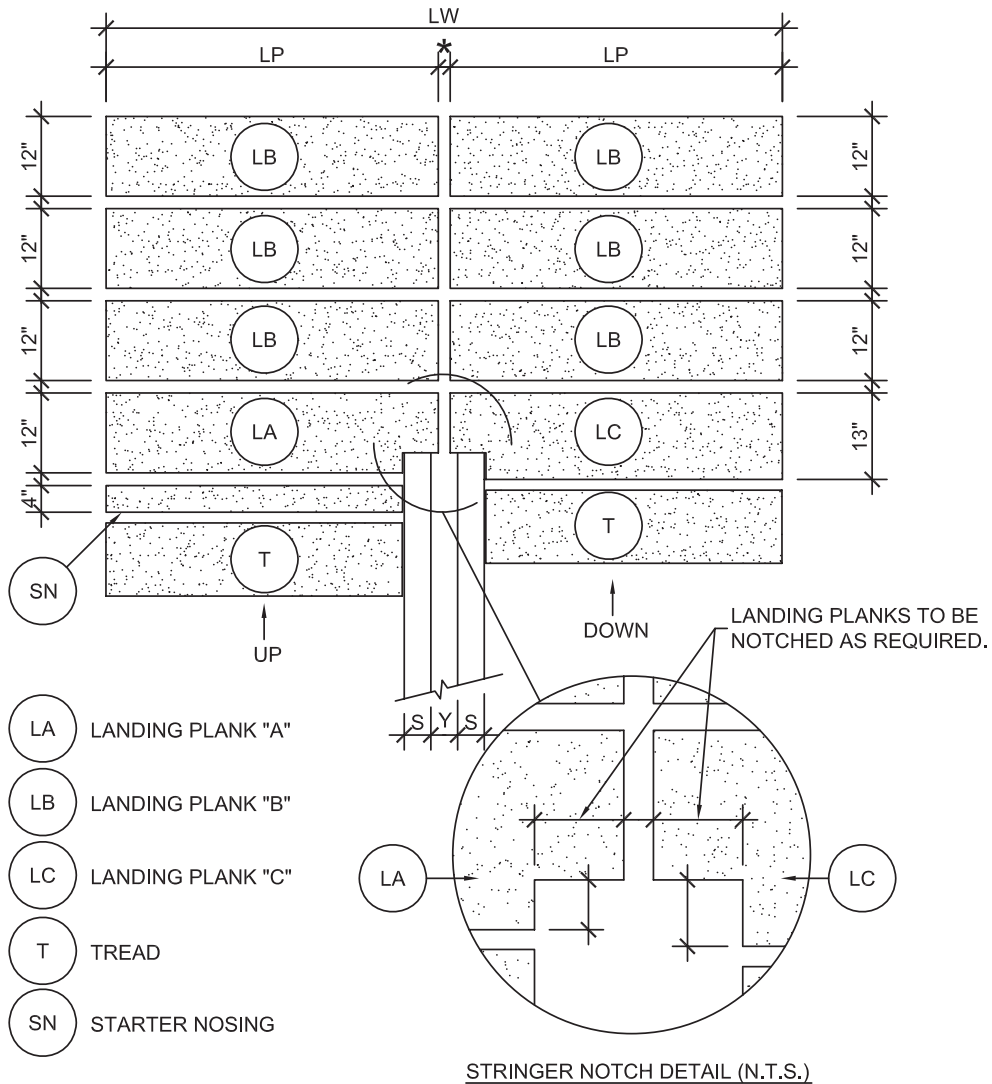
PRECAST CONCRETE TREADS, LANDINGS, AND BALCONIES SHOWN ON PLANS SHALL BE FROM THE "STEPTREAD" SYSTEM BY "STEPSTONE, LLC" OF GARDENA, CA. FOR STEEL OR WOOD CONSTRUCTION. THE MANUFACTURER IS TO SUPPLY ALL PRECAST CONCRETE PARTS WITH EACH "STEPTREAD" AND FEATURING EITHER CAST IN THREADED INSERTS FOR BOLTING OR AN EMBEDDED BOTTOM WELD PLATE FOR WELDING. ALL REINFORCING AND CONNECTIONS WILL BE ZINC PLATED. ONLY ITEMS NOTED BY "STEPSTONE, LLC" SHALL BE FURNISHED BY "STEPSTONE, LLC" SUCH ITEMS SHALL BE INSTALLED BY OTHERS.



PRECAST CONCRETE TREADS, LANDINGS, AND BALCONIES SHOWN ON PLANS SHALL BE FROM THE "STEPTREAD" SYSTEM BY "STEPSTONE, LLC" OF GARDENA, CA. FOR STEEL OR WOOD CONSTRUCTION. THE MANUFACTURER IS TO SUPPLY ALL PRECAST CONCRETE PARTS WITH EACH "STEPTREAD" AND FEATURING EITHER CAST IN THREADED INSERTS FOR BOLTING OR AN EMBEDDED BOTTOM WELD PLATE FOR WELDING. ALL REINFORCING AND CONNECTIONS WILL BE ZINC PLATED. ONLY ITEMS NOTED BY "STEPSTONE, LLC" SHALL BE FURNISHED BY "STEPSTONE, LLC" SUCH ITEMS SHALL BE INSTALLED BY OTHERS.

FILE: STP-0.1-12a
REV: 01.11.06

MAXIMUM "CLOSED RISER" TREAD FREE SPAN IS 60"
MAXIMUM "OPEN RISER" TREAD FREE SPAN IS 60"
MAXIMUM LANDING FREE SPAN IS 60"



180° LANDING

SCALE: N.T.S.
FILE: STP-0.1-12a

FILE: STP-0.1-12b
REV: 08.30.12

LANDING SCHEDULE		
TREAD LENGTH (T)	LANDING PLANK LENGTH (LP)	LANDING WIDTH OUTSIDE DIM. (LW)
36"	$LP = T + S + \frac{1}{2}Y$	$LW = 2(LP) + *$
38"		
40"		
42"		
44"		
46"		
48"		

- ** ALL ITEMS HAVE STANDARD MANUFACTURING TOLERANCES.
- * ALLOW $\frac{1}{8}$ " TOLERANCE BETWEEN LANDING PLANKS.
- Y = SPACE BETWEEN STRINGERS.
- S = STRINGERS

EXAMPLE:

T=36", S=3", & Y=6"

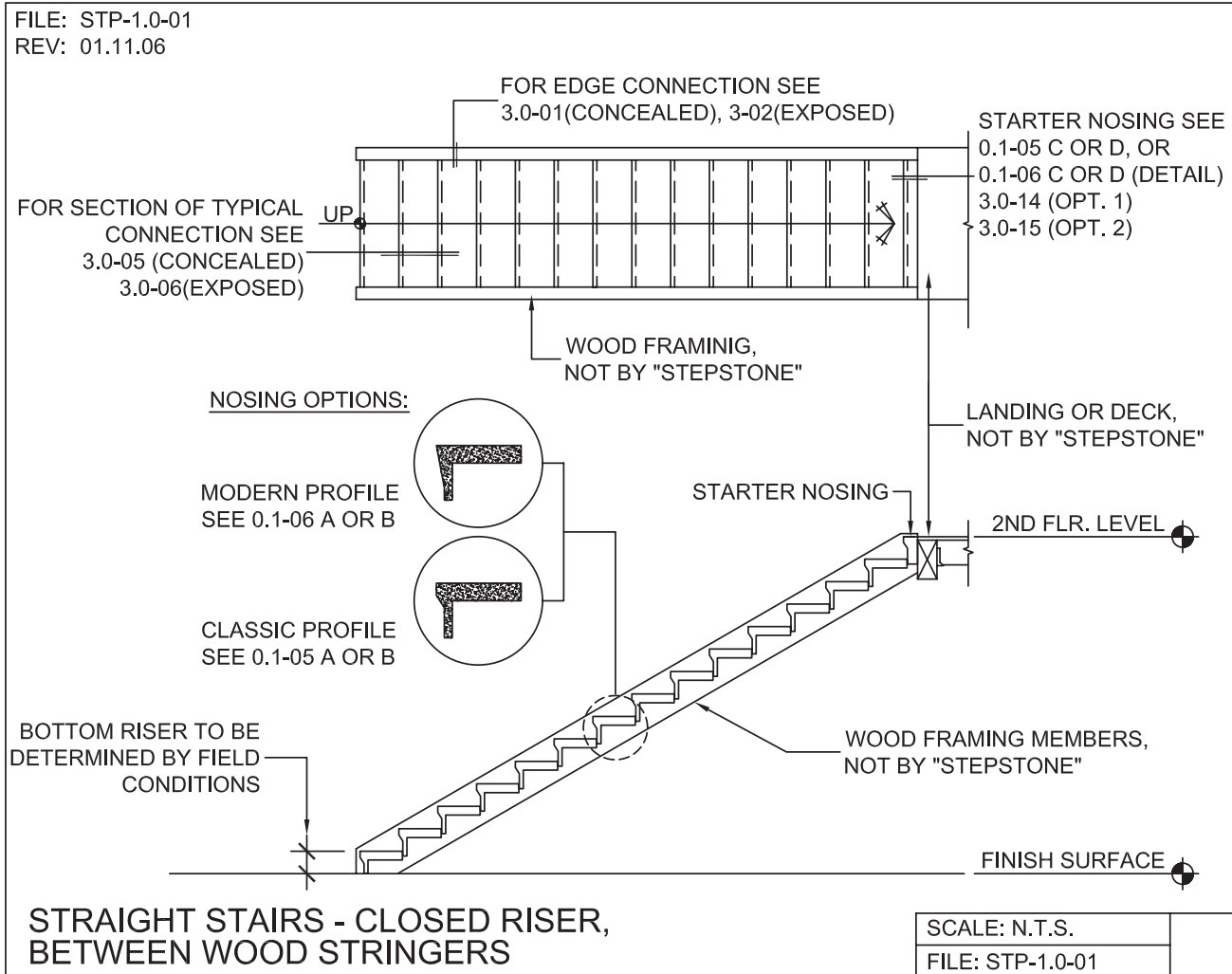
THEN:

$LP = 36 + 3 + \frac{1}{2}(6) = 42"$
LP=42" + **

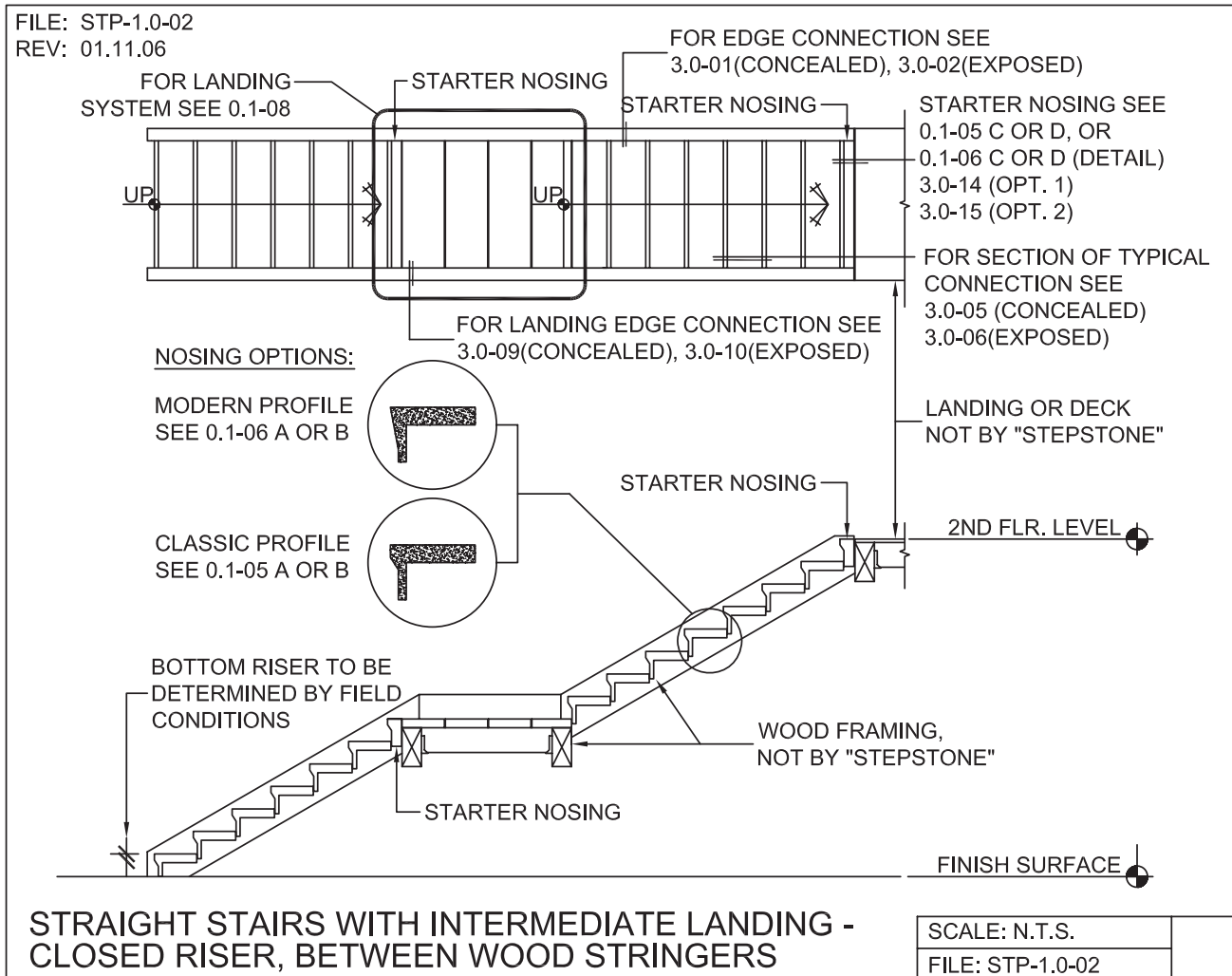
$LW = 2(42) + **$
LW=84" + **

180° LANDING

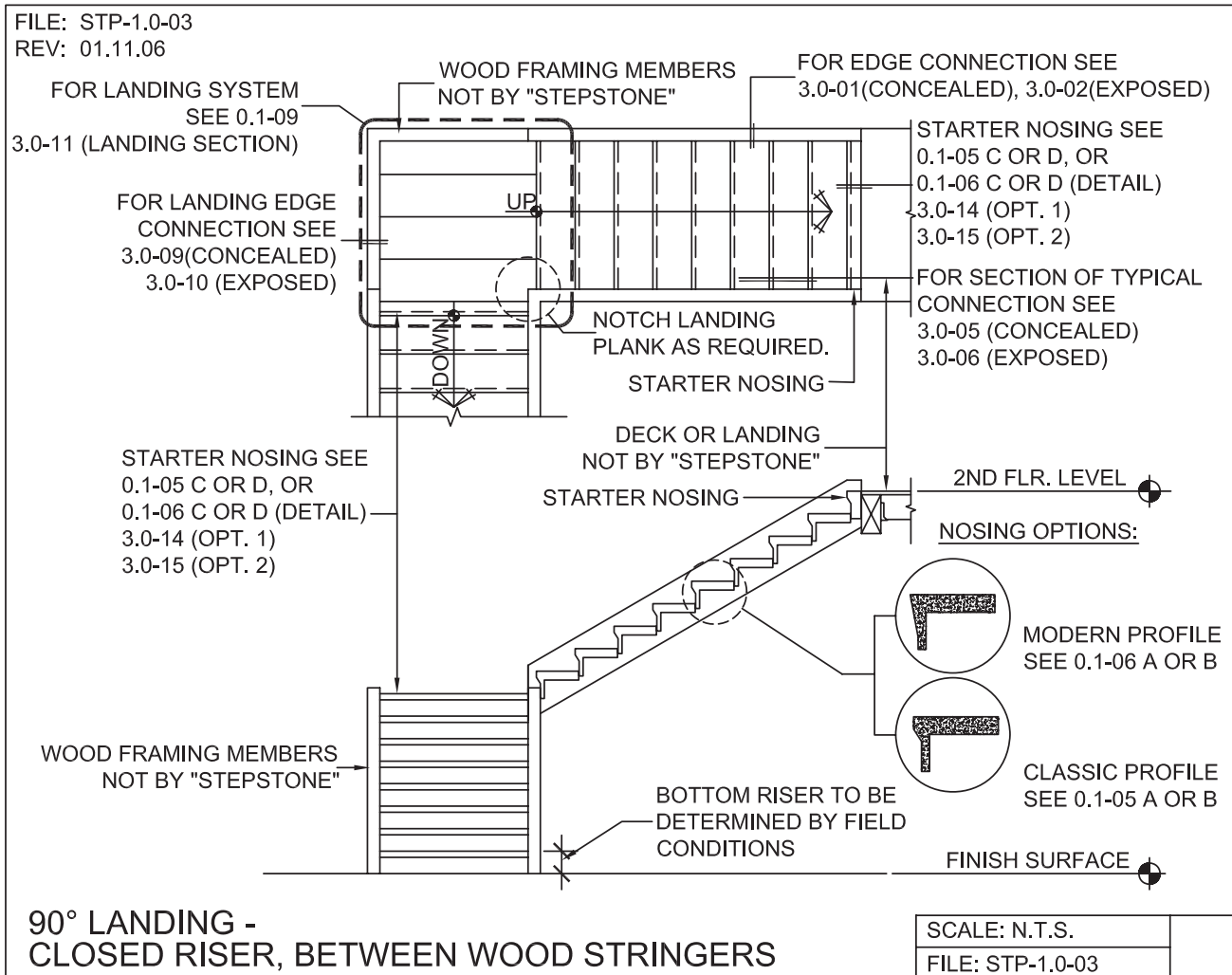
SCALE: N.T.S.
FILE: STP-0.1-12b



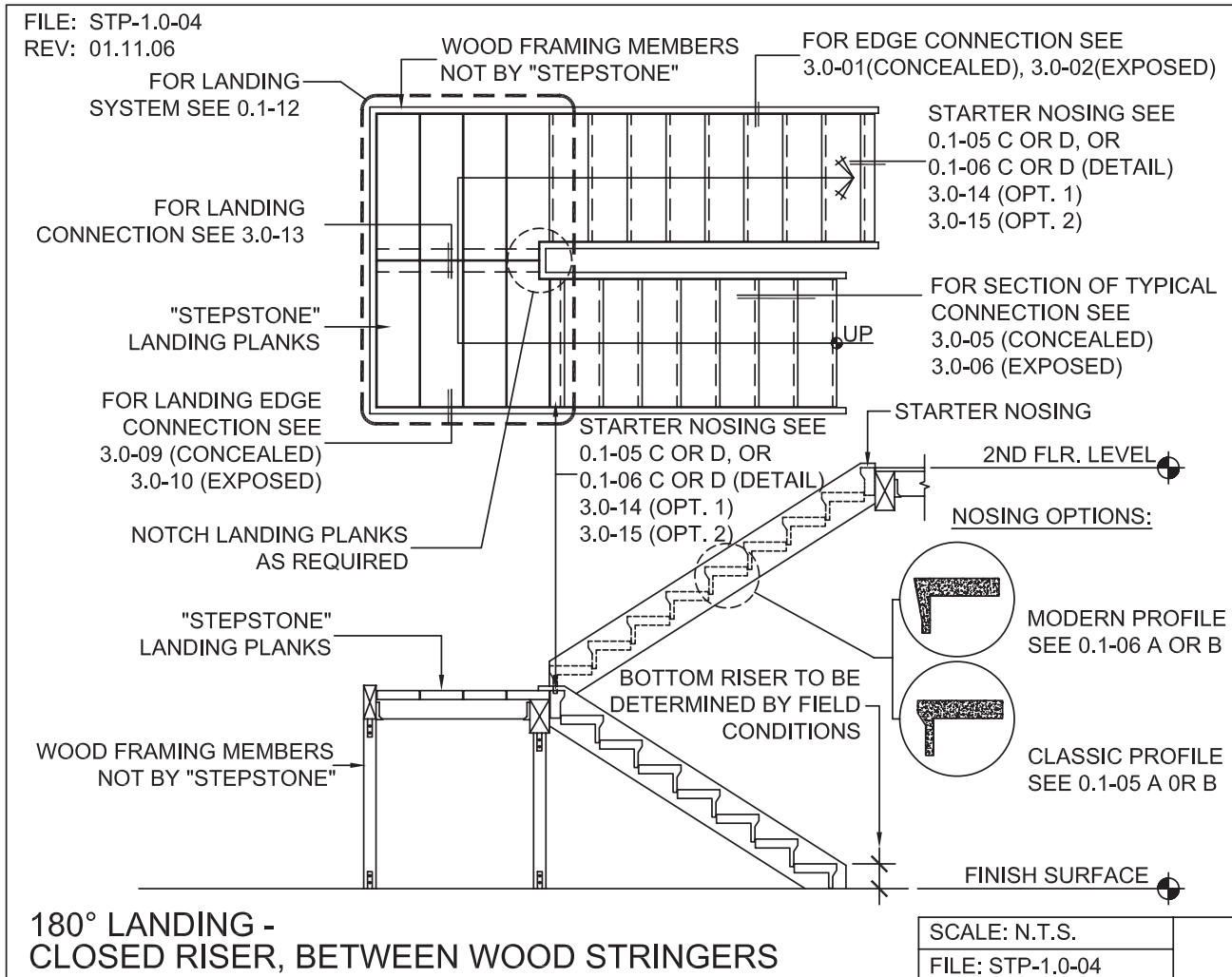
PRECAST CONCRETE TREADS, LANDINGS, AND BALCONIES SHOWN ON PLANS SHALL BE FROM THE "STEPTREAD" SYSTEM BY "STEPSTONE, LLC" OF GARDENA, CA. FOR STEEL OR WOOD CONSTRUCTION. THE MANUFACTURER IS TO SUPPLY ALL PRECAST CONCRETE PARTS WITH EACH "STEPTREAD" AND FEATURING EITHER CAST IN THREADED INSERTS FOR BOLTING OR AN EMBEDDED BOTTOM WELD PLATE FOR WELDING. ALL REINFORCING AND CONNECTIONS WILL BE ZINC PLATED. ONLY ITEMS NOTED BY "STEPSTONE, LLC" SHALL BE FURNISHED BY "STEPSTONE, LLC" SUCH ITEMS SHALL BE INSTALLED BY OTHERS.



PRECAST CONCRETE TREADS, LANDINGS, AND BALCONIES SHOWN ON PLANS SHALL BE FROM THE "STEPTREAD" SYSTEM BY "STEPSTONE, LLC" OF GARDENA, CA. FOR STEEL OR WOOD CONSTRUCTION. THE MANUFACTURER IS TO SUPPLY ALL PRECAST CONCRETE PARTS WITH EACH "STEPTREAD" AND FEATURING EITHER CAST IN THREADED INSERTS FOR BOLTING OR AN EMBEDDED BOTTOM WELD PLATE FOR WELDING. ALL REINFORCING AND CONNECTIONS WILL BE ZINC PLATED. ONLY ITEMS NOTED BY "STEPSTONE, LLC" SHALL BE FURNISHED BY "STEPSTONE, LLC" SUCH ITEMS SHALL BE INSTALLED BY OTHERS.

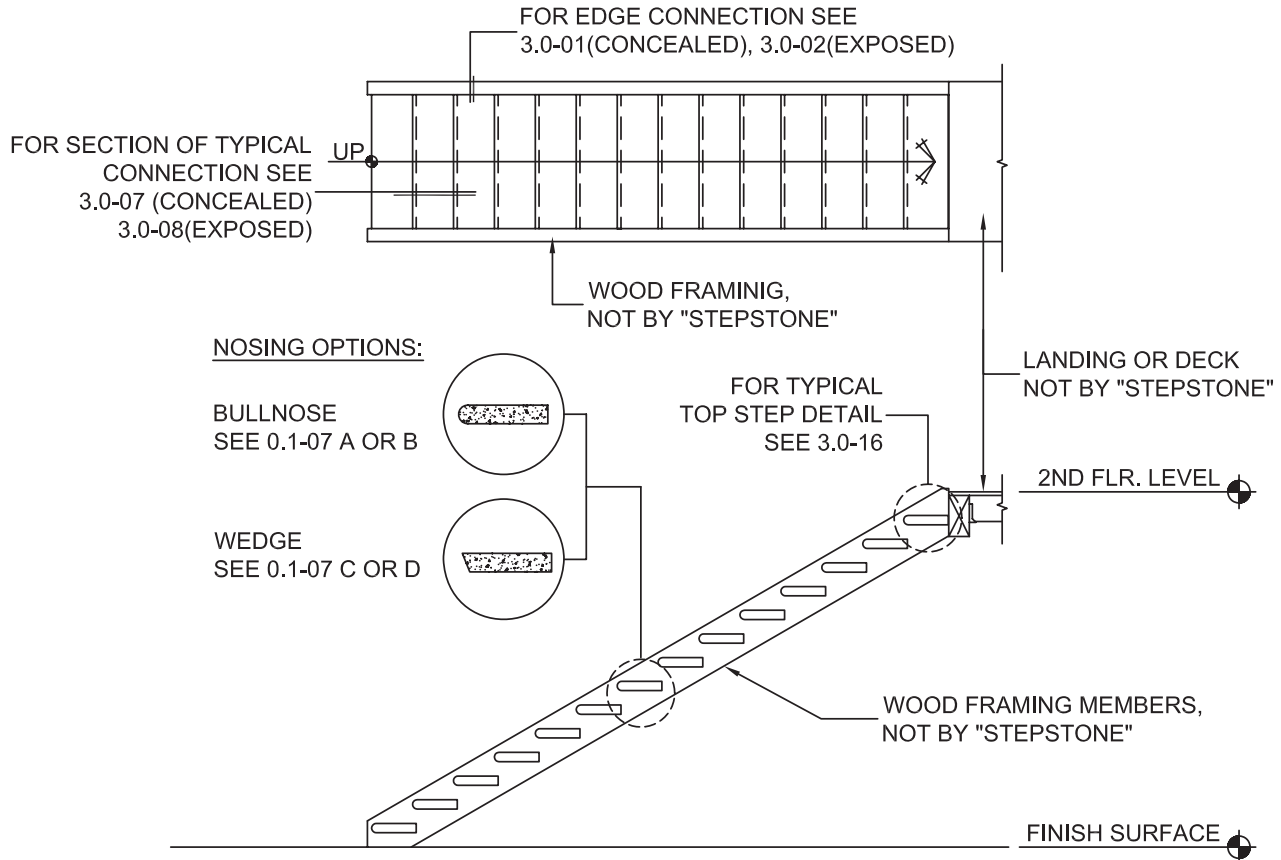


PRECAST CONCRETE TREADS, LANDINGS, AND BALCONIES SHOWN ON PLANS SHALL BE FROM THE "STEPTREAD" SYSTEM BY "STEPSTONE, LLC" OF GARDENA, CA. FOR STEEL OR WOOD CONSTRUCTION. THE MANUFACTURER IS TO SUPPLY ALL PRECAST CONCRETE PARTS WITH EACH "STEPTREAD" AND FEATURING EITHER CAST IN THREADED INSERTS FOR BOLTING OR AN EMBEDDED BOTTOM WELD PLATE FOR WELDING. ALL REINFORCING AND CONNECTIONS WILL BE ZINC PLATED. ONLY ITEMS NOTED BY "STEPSTONE, LLC" SHALL BE FURNISHED BY "STEPSTONE, LLC" SUCH ITEMS SHALL BE INSTALLED BY OTHERS.



PRECAST CONCRETE TREADS, LANDINGS, AND BALCONIES SHOWN ON PLANS SHALL BE FROM THE "STEPTREAD" SYSTEM BY "STEPSTONE, LLC" OF GARDENA, CA. FOR STEEL OR WOOD CONSTRUCTION. THE MANUFACTURER IS TO SUPPLY ALL PRECAST CONCRETE PARTS WITH EACH "STEPTREAD" AND FEATURING EITHER CAST IN THREADED INSERTS FOR BOLTING OR AN EMBEDDED BOTTOM WELD PLATE FOR WELDING. ALL REINFORCING AND CONNECTIONS WILL BE ZINC PLATED. ONLY ITEMS NOTED BY "STEPSTONE, LLC" SHALL BE FURNISHED BY "STEPSTONE, LLC" SUCH ITEMS SHALL BE INSTALLED BY OTHERS.

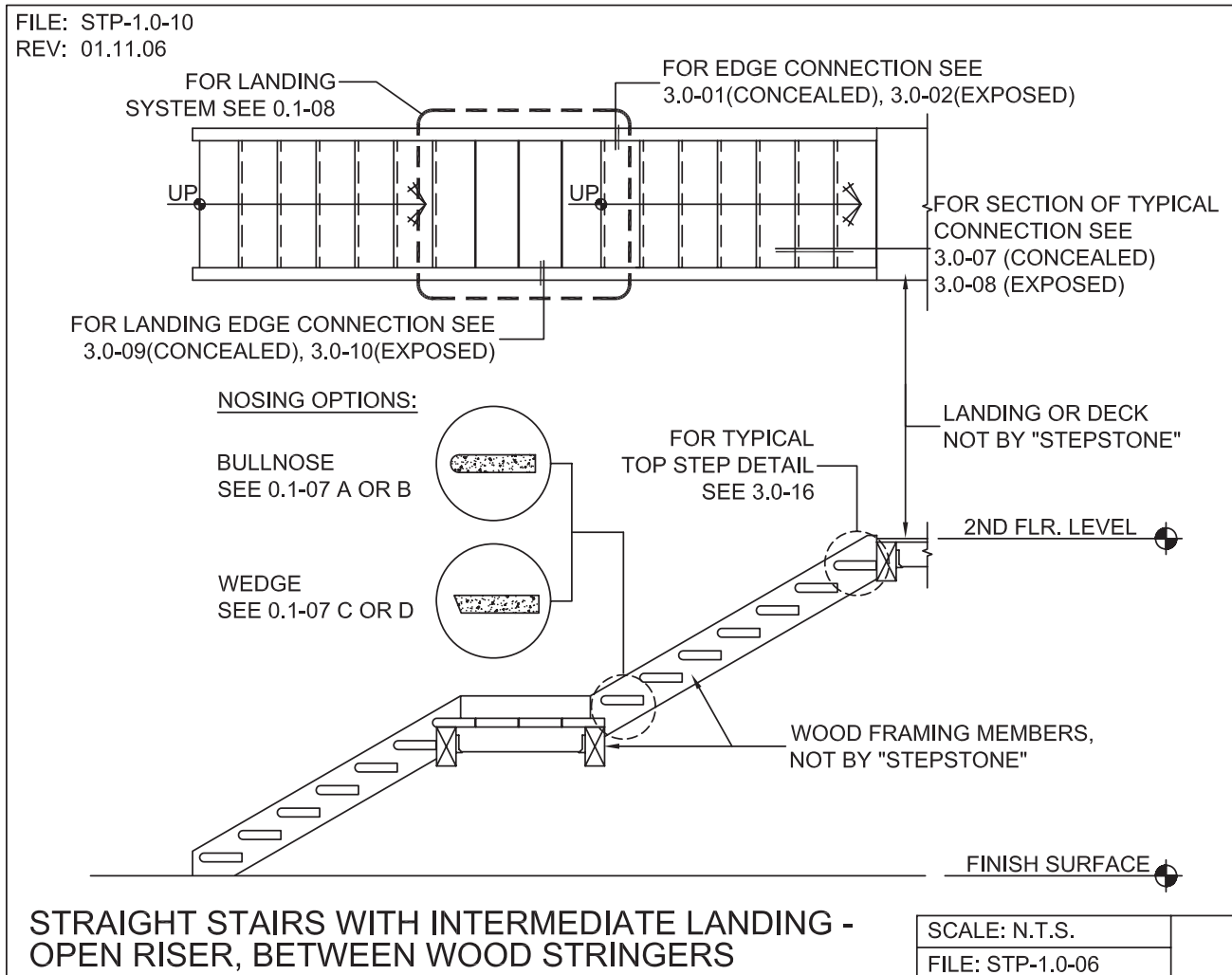
FILE: STP-1.0-05
REV: 01.11.06



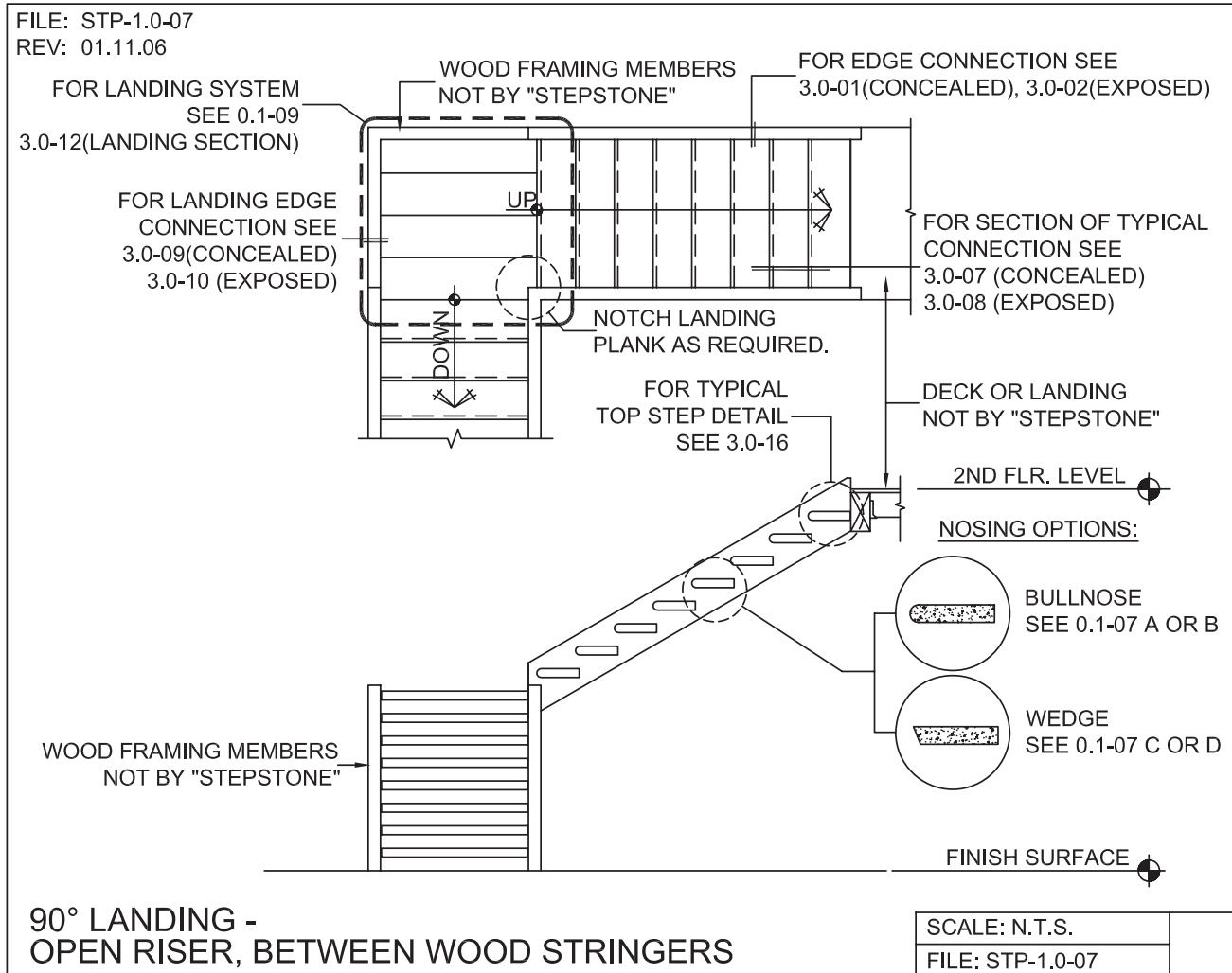
**STRAIGHT STAIRS - OPEN RISER,
BETWEEN WOOD STRINGERS**

SCALE: N.T.S.	
FILE: STP-1.0-05	

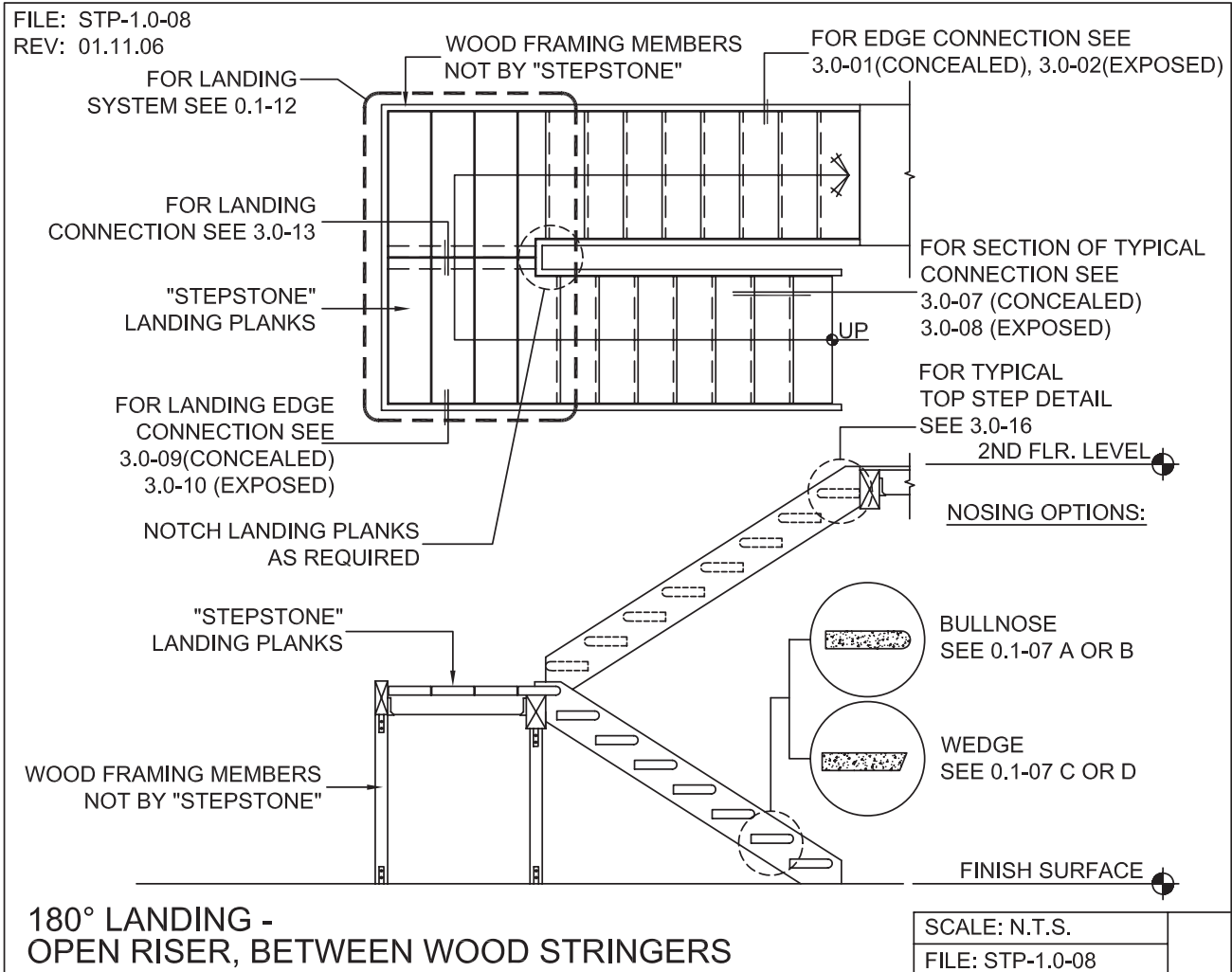
PRECAST CONCRETE TREADS, LANDINGS, AND BALCONIES SHOWN ON PLANS SHALL BE FROM THE "STEPTREAD" SYSTEM BY "STEPSTONE, LLC" OF GARDENA, CA. FOR STEEL OR WOOD CONSTRUCTION. THE MANUFACTURER IS TO SUPPLY ALL PRECAST CONCRETE PARTS WITH EACH "STEPTREAD" AND FEATURING EITHER CAST IN THREADED INSERTS FOR BOLTING OR AN EMBEDDED BOTTOM WELD PLATE FOR WELDING. ALL REINFORCING AND CONNECTIONS WILL BE ZINC PLATED. ONLY ITEMS NOTED BY "STEPSTONE, LLC" SHALL BE FURNISHED BY "STEPSTONE, LLC" SUCH ITEMS SHALL BE INSTALLED BY OTHERS.



PRECAST CONCRETE TREADS, LANDINGS, AND BALCONIES SHOWN ON PLANS SHALL BE FROM THE "STEPTREAD" SYSTEM BY "STEPSTONE, LLC" OF GARDENA, CA. FOR STEEL OR WOOD CONSTRUCTION. THE MANUFACTURER IS TO SUPPLY ALL PRECAST CONCRETE PARTS WITH EACH "STEPTREAD" AND FEATURING EITHER CAST IN THREADED INSERTS FOR BOLTING OR AN EMBEDDED BOTTOM WELD PLATE FOR WELDING. ALL REINFORCING AND CONNECTIONS WILL BE ZINC PLATED. ONLY ITEMS NOTED BY "STEPSTONE, LLC" SHALL BE FURNISHED BY "STEPSTONE, LLC" SUCH ITEMS SHALL BE INSTALLED BY OTHERS.

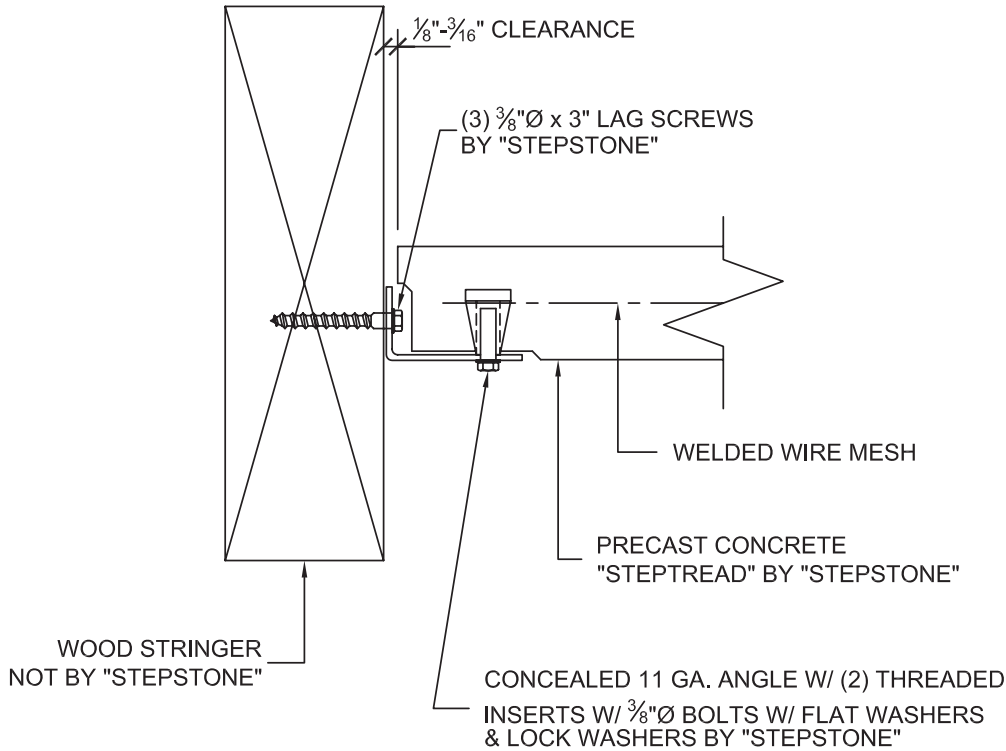


PRECAST CONCRETE TREADS, LANDINGS, AND BALCONIES SHOWN ON PLANS SHALL BE FROM THE "STEPTREAD" SYSTEM BY "STEPSTONE, LLC" OF GARDENA, CA. FOR STEEL OR WOOD CONSTRUCTION. THE MANUFACTURER IS TO SUPPLY ALL PRECAST CONCRETE PARTS WITH EACH "STEPTREAD" AND FEATURING EITHER CAST IN THREADED INSERTS FOR BOLTING OR AN EMBEDDED BOTTOM WELD PLATE FOR WELDING. ALL REINFORCING AND CONNECTIONS WILL BE ZINC PLATED. ONLY ITEMS NOTED BY "STEPSTONE, LLC" SHALL BE FURNISHED BY "STEPSTONE, LLC" SUCH ITEMS SHALL BE INSTALLED BY OTHERS.



PRECAST CONCRETE TREADS, LANDINGS, AND BALCONIES SHOWN ON PLANS SHALL BE FROM THE "STEPTREAD" SYSTEM BY "STEPSTONE, LLC" OF GARDENA, CA. FOR STEEL OR WOOD CONSTRUCTION. THE MANUFACTURER IS TO SUPPLY ALL PRECAST CONCRETE PARTS WITH EACH "STEPTREAD" AND FEATURING EITHER CAST IN THREADED INSERTS FOR BOLTING OR AN EMBEDDED BOTTOM WELD PLATE FOR WELDING. ALL REINFORCING AND CONNECTIONS WILL BE ZINC PLATED. ONLY ITEMS NOTED BY "STEPSTONE, LLC" SHALL BE FURNISHED BY "STEPSTONE, LLC" SUCH ITEMS SHALL BE INSTALLED BY OTHERS.

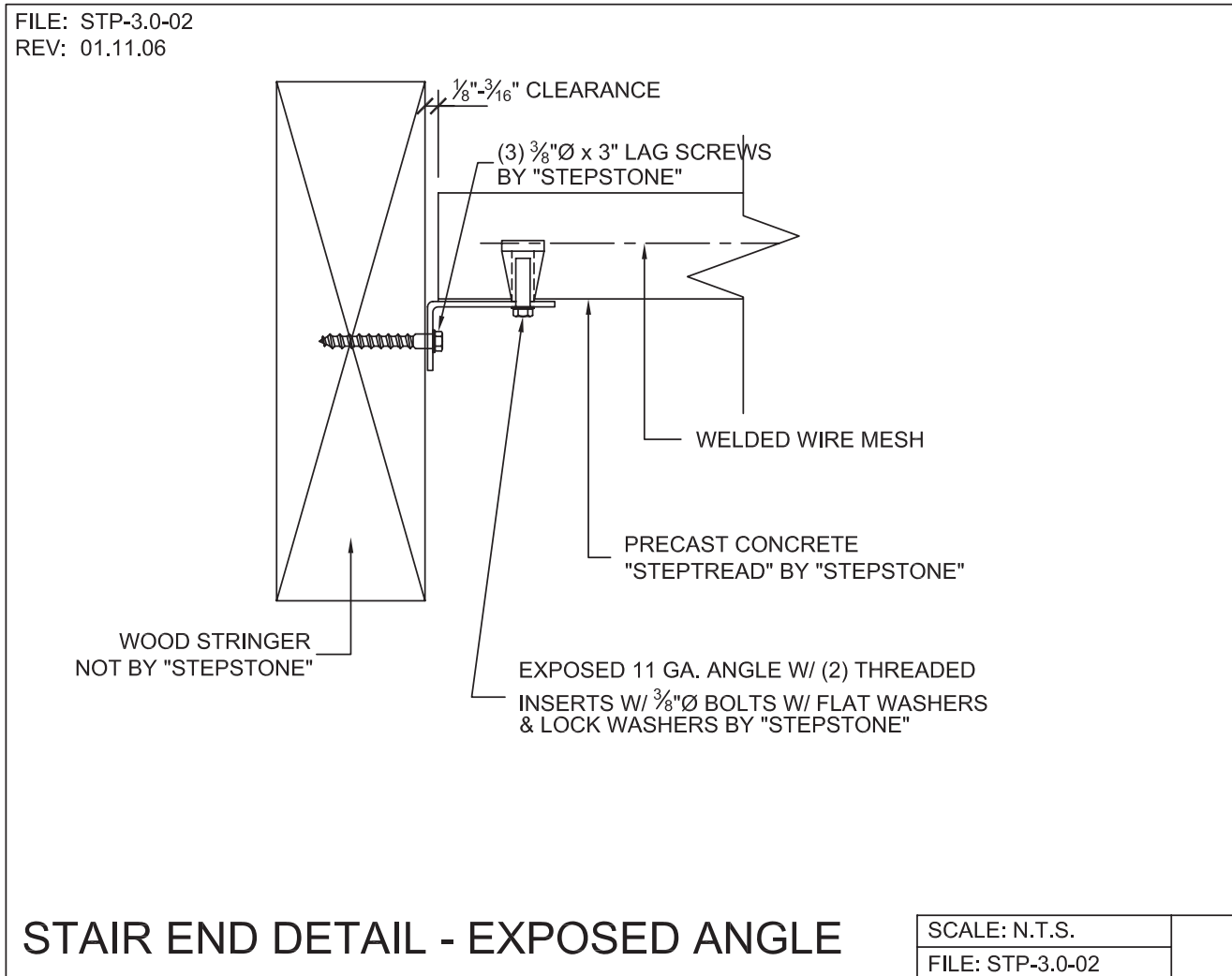
FILE: STP-3.0-01
REV: 01.11.06



STAIR END DETAIL - CONCEALED ANGLE

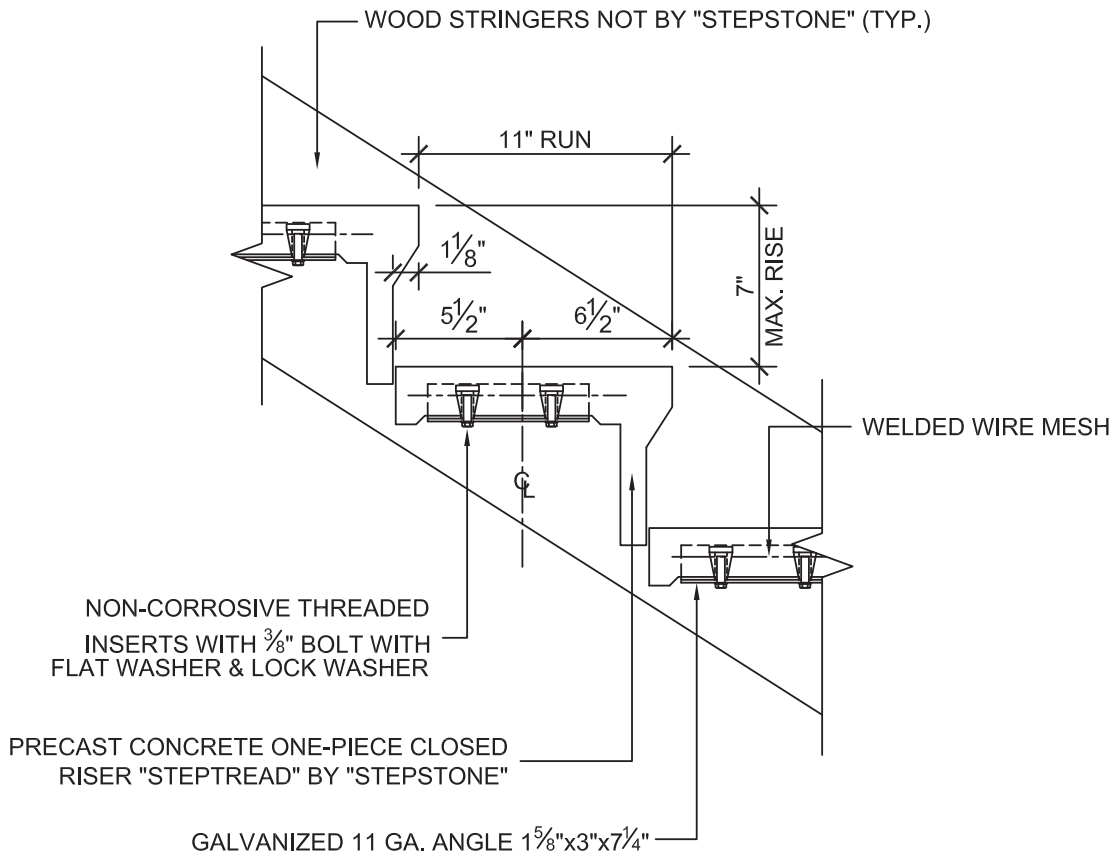
SCALE: N.T.S.
FILE: STP-3.0-01

PRECAST CONCRETE TREADS, LANDINGS, AND BALCONIES SHOWN ON PLANS SHALL BE FROM THE "STEPTREAD" SYSTEM BY "STEPSTONE, LLC" OF GARDENA, CA. FOR STEEL OR WOOD CONSTRUCTION. THE MANUFACTURER IS TO SUPPLY ALL PRECAST CONCRETE PARTS WITH EACH "STEPTREAD" AND FEATURING EITHER CAST IN THREADED INSERTS FOR BOLTING OR AN EMBEDDED BOTTOM WELD PLATE FOR WELDING. ALL REINFORCING AND CONNECTIONS WILL BE ZINC PLATED. ONLY ITEMS NOTED BY "STEPSTONE, LLC" SHALL BE FURNISHED BY "STEPSTONE, LLC" SUCH ITEMS SHALL BE INSTALLED BY OTHERS.



PRECAST CONCRETE TREADS, LANDINGS, AND BALCONIES SHOWN ON PLANS SHALL BE FROM THE "STEPTREAD" SYSTEM BY "STEPSTONE, LLC" OF GARDENA, CA. FOR STEEL OR WOOD CONSTRUCTION. THE MANUFACTURER IS TO SUPPLY ALL PRECAST CONCRETE PARTS WITH EACH "STEPTREAD" AND FEATURING EITHER CAST IN THREADED INSERTS FOR BOLTING OR AN EMBEDDED BOTTOM WELD PLATE FOR WELDING. ALL REINFORCING AND CONNECTIONS WILL BE ZINC PLATED. ONLY ITEMS NOTED BY "STEPSTONE, LLC" SHALL BE FURNISHED BY "STEPSTONE, LLC" SUCH ITEMS SHALL BE INSTALLED BY OTHERS.

FILE: STP-3.0-05
REV: 08.15.07

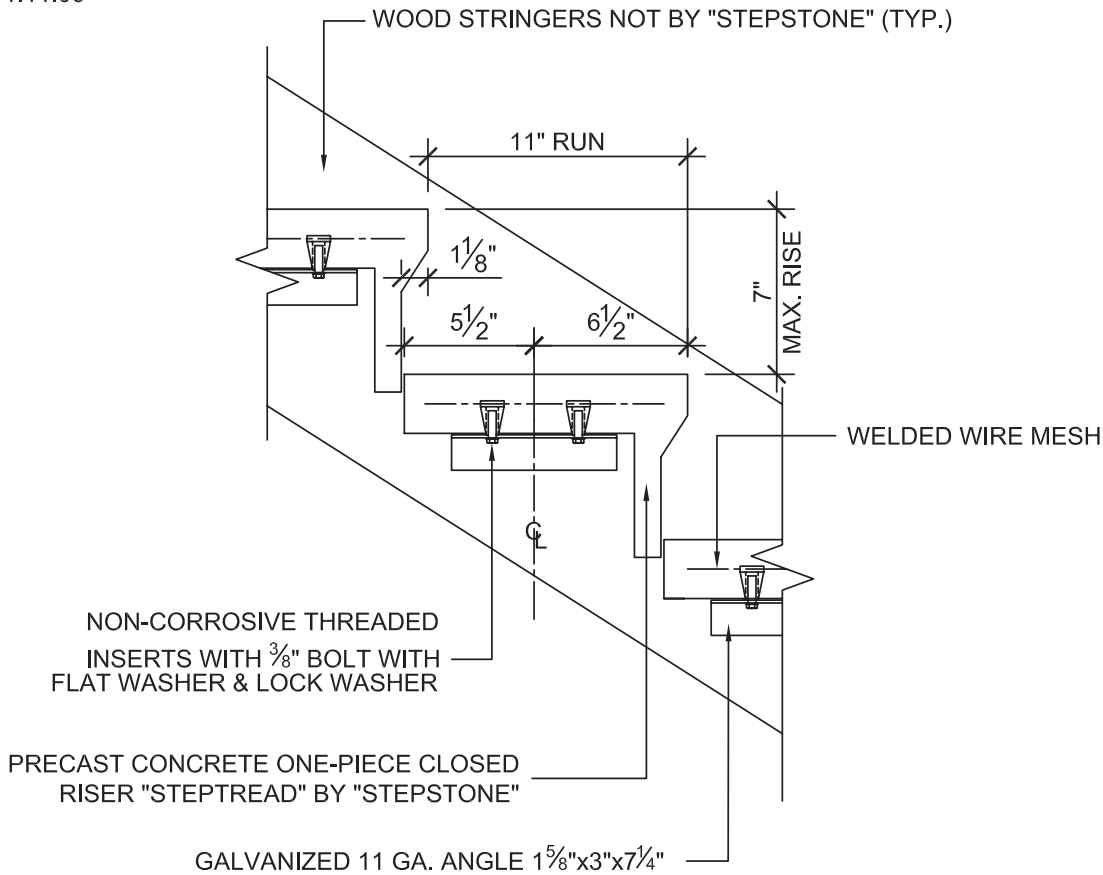


CLOSED RISER SECTION - CONCEALED ANGLE

SCALE: N.T.S.	
FILE: STP-3.0-05	

PRECAST CONCRETE TREADS, LANDINGS, AND BALCONIES SHOWN ON PLANS SHALL BE FROM THE "STEPTREAD" SYSTEM BY "STEPSTONE, LLC" OF GARDENA, CA. FOR STEEL OR WOOD CONSTRUCTION. THE MANUFACTURER IS TO SUPPLY ALL PRECAST CONCRETE PARTS WITH EACH "STEPTREAD" AND FEATURING EITHER CAST IN THREADED INSERTS FOR BOLTING OR AN EMBEDDED BOTTOM WELD PLATE FOR WELDING. ALL REINFORCING AND CONNECTIONS WILL BE ZINC PLATED. ONLY ITEMS NOTED BY "STEPSTONE, LLC" SHALL BE FURNISHED BY "STEPSTONE, LLC" SUCH ITEMS SHALL BE INSTALLED BY OTHERS.

FILE: STP-3.0-06
REV: 01.11.06

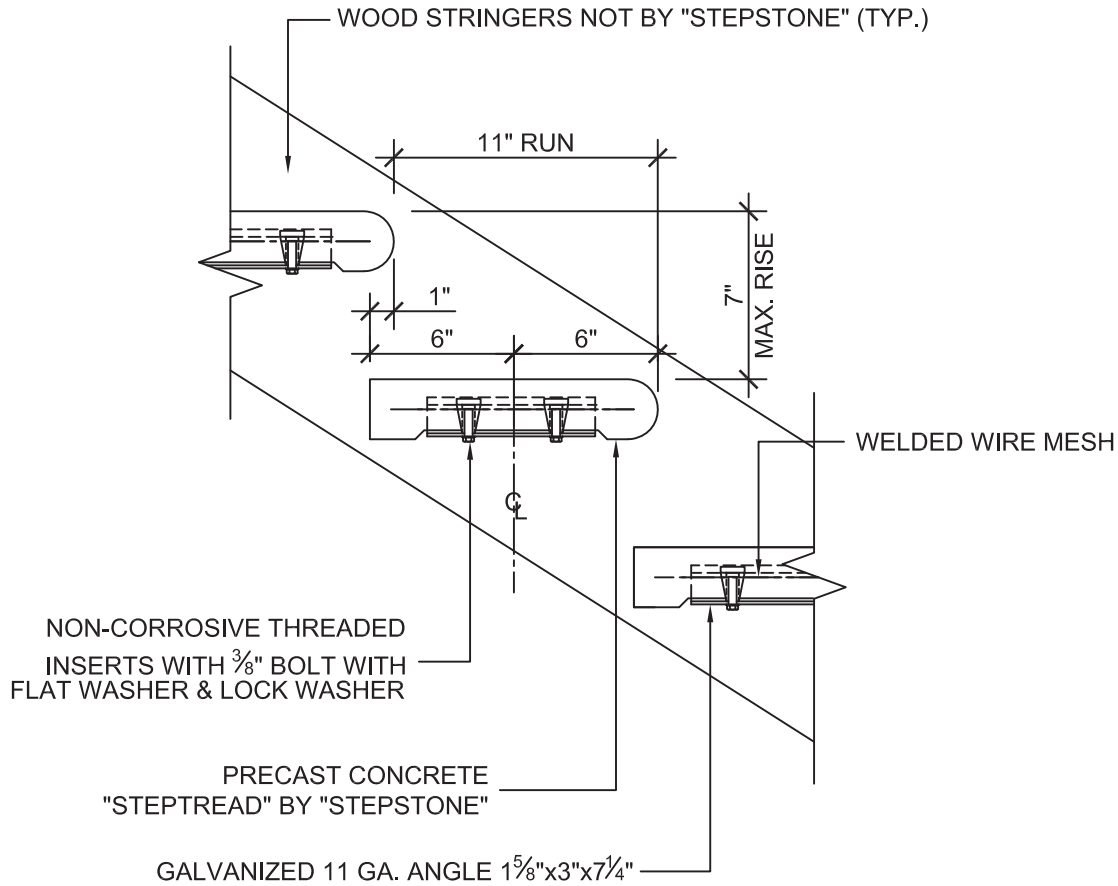


**CLOSED RISER SECTION -
EXPOSED ANGLE**

SCALE: N.T.S.	
FILE: STP-3.0-06	

PRECAST CONCRETE TREADS, LANDINGS, AND BALCONIES SHOWN ON PLANS SHALL BE FROM THE "STEPTREAD" SYSTEM BY "STEPSTONE, LLC" OF GARDENA, CA. FOR STEEL OR WOOD CONSTRUCTION. THE MANUFACTURER IS TO SUPPLY ALL PRECAST CONCRETE PARTS WITH EACH "STEPTREAD" AND FEATURING EITHER CAST IN THREADED INSERTS FOR BOLTING OR AN EMBEDDED BOTTOM WELD PLATE FOR WELDING. ALL REINFORCING AND CONNECTIONS WILL BE ZINC PLATED. ONLY ITEMS NOTED BY "STEPSTONE, LLC" SHALL BE FURNISHED BY "STEPSTONE, LLC" SUCH ITEMS SHALL BE INSTALLED BY OTHERS.

FILE: STP-3.0-07
REV: 08.15.07

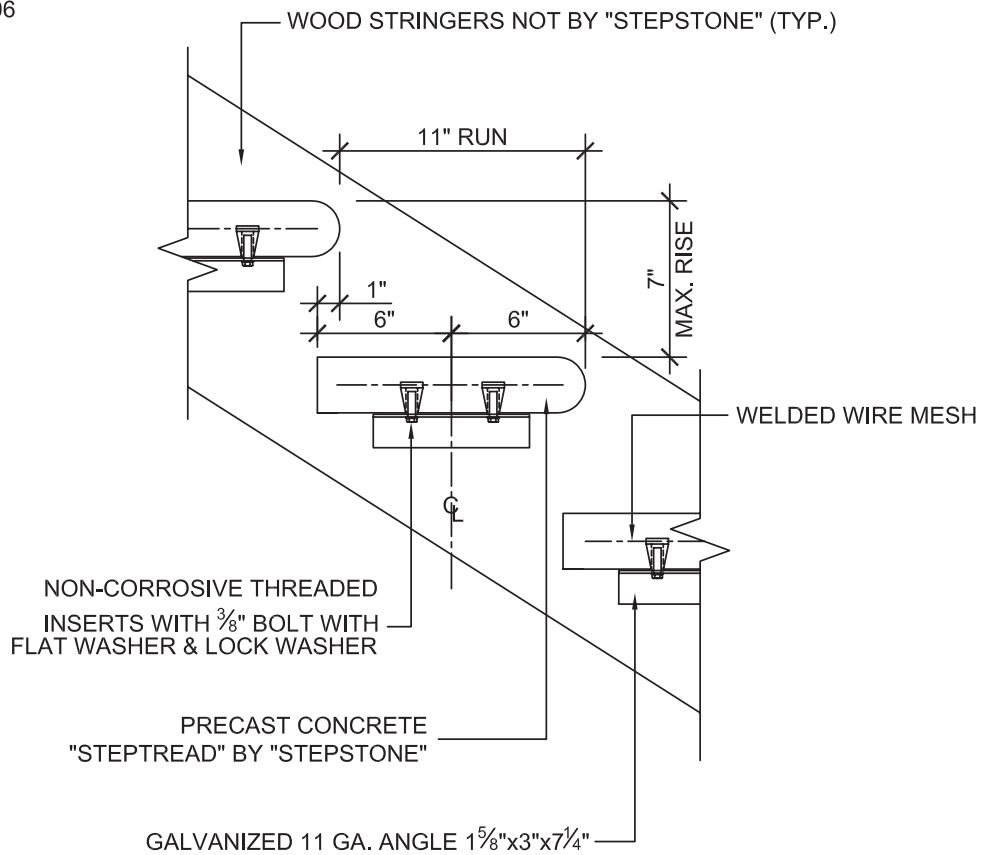


**OPEN RISER SECTION -
CONCEALED ANGLE**

SCALE: N.T.S.	
FILE: STP-3.0-07	

PRECAST CONCRETE TREADS, LANDINGS, AND BALCONIES SHOWN ON PLANS SHALL BE FROM THE "STEPTREAD" SYSTEM BY "STEPSTONE, LLC" OF GARDENA, CA. FOR STEEL OR WOOD CONSTRUCTION. THE MANUFACTURER IS TO SUPPLY ALL PRECAST CONCRETE PARTS WITH EACH "STEPTREAD" AND FEATURING EITHER CAST IN THREADED INSERTS FOR BOLTING OR AN EMBEDDED BOTTOM WELD PLATE FOR WELDING. ALL REINFORCING AND CONNECTIONS WILL BE ZINC PLATED. ONLY ITEMS NOTED BY "STEPSTONE, LLC" SHALL BE FURNISHED BY "STEPSTONE, LLC" SUCH ITEMS SHALL BE INSTALLED BY OTHERS.

FILE: STP-3.0-08
REV: 01.11.06

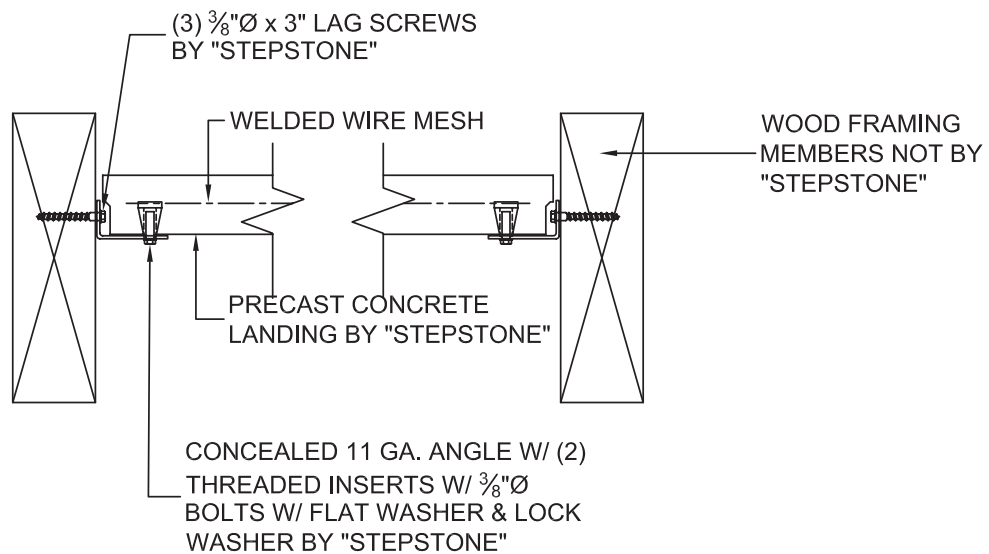


OPEN RISER SECTION - EXPOSED ANGLE

SCALE: N.T.S.
FILE: STP-3.0-08

PRECAST CONCRETE TREADS, LANDINGS, AND BALCONIES SHOWN ON PLANS SHALL BE FROM THE "STEPTREAD" SYSTEM BY "STEPSTONE, LLC" OF GARDENA, CA. FOR STEEL OR WOOD CONSTRUCTION. THE MANUFACTURER IS TO SUPPLY ALL PRECAST CONCRETE PARTS WITH EACH "STEPTREAD" AND FEATURING EITHER CAST IN THREADED INSERTS FOR BOLTING OR AN EMBEDDED BOTTOM WELD PLATE FOR WELDING. ALL REINFORCING AND CONNECTIONS WILL BE ZINC PLATED. ONLY ITEMS NOTED BY "STEPSTONE, LLC" SHALL BE FURNISHED BY "STEPSTONE, LLC" SUCH ITEMS SHALL BE INSTALLED BY OTHERS.

FILE: STP-3.0-09
REV: 01.11.06

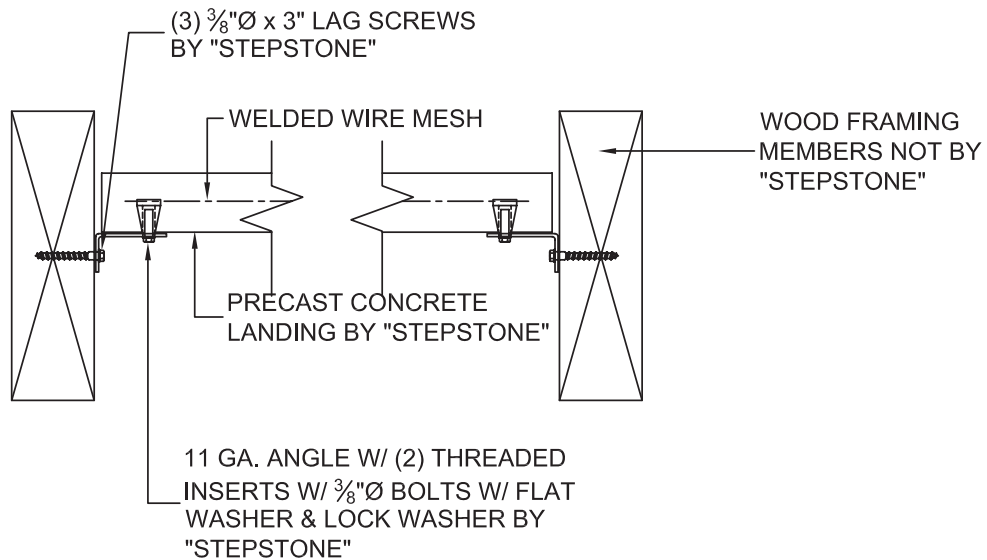


LANDING SECTION - CONCEALED ANGLE

SCALE: N.T.S.
FILE: STP-3.0-09

PRECAST CONCRETE TREADS, LANDINGS, AND BALCONIES SHOWN ON PLANS SHALL BE FROM THE "STEPTREAD" SYSTEM BY "STEPSTONE, LLC" OF GARDENA, CA. FOR STEEL OR WOOD CONSTRUCTION. THE MANUFACTURER IS TO SUPPLY ALL PRECAST CONCRETE PARTS WITH EACH "STEPTREAD" AND FEATURING EITHER CAST IN THREADED INSERTS FOR BOLTING OR AN EMBEDDED BOTTOM WELD PLATE FOR WELDING. ALL REINFORCING AND CONNECTIONS WILL BE ZINC PLATED. ONLY ITEMS NOTED BY "STEPSTONE, LLC" SHALL BE FURNISHED BY "STEPSTONE, LLC" SUCH ITEMS SHALL BE INSTALLED BY OTHERS.

FILE: STP-3.0-10
REV: 01.11.06

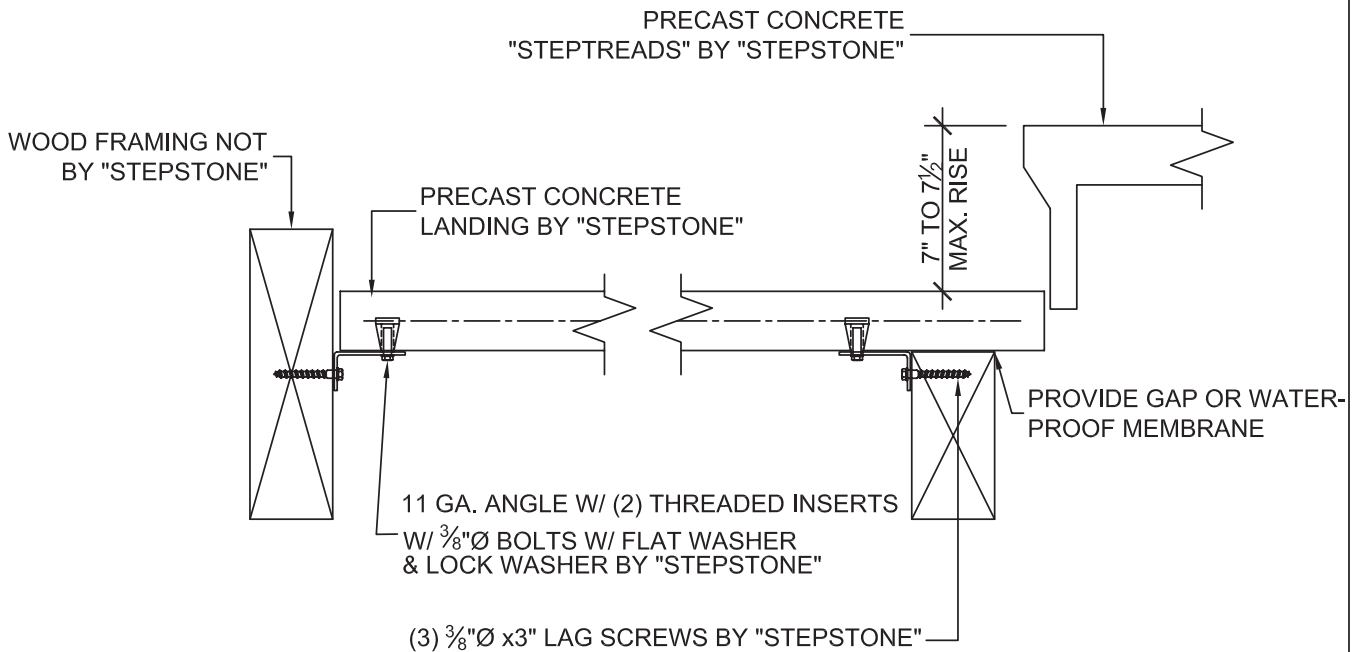


LANDING SECTION - EXPOSED ANGLE

SCALE: N.T.S.	
FILE: STP-3.0-10	

PRECAST CONCRETE TREADS, LANDINGS, AND BALCONIES SHOWN ON PLANS SHALL BE FROM THE "STEPTREAD" SYSTEM BY "STEPSTONE, LLC" OF GARDENA, CA. FOR STEEL OR WOOD CONSTRUCTION. THE MANUFACTURER IS TO SUPPLY ALL PRECAST CONCRETE PARTS WITH EACH "STEPTREAD" AND FEATURING EITHER CAST IN THREADED INSERTS FOR BOLTING OR AN EMBEDDED BOTTOM WELD PLATE FOR WELDING. ALL REINFORCING AND CONNECTIONS WILL BE ZINC PLATED. ONLY ITEMS NOTED BY "STEPSTONE, LLC" SHALL BE FURNISHED BY "STEPSTONE, LLC" SUCH ITEMS SHALL BE INSTALLED BY OTHERS.

FILE: STP-3.0-11
REV. 01.11.06

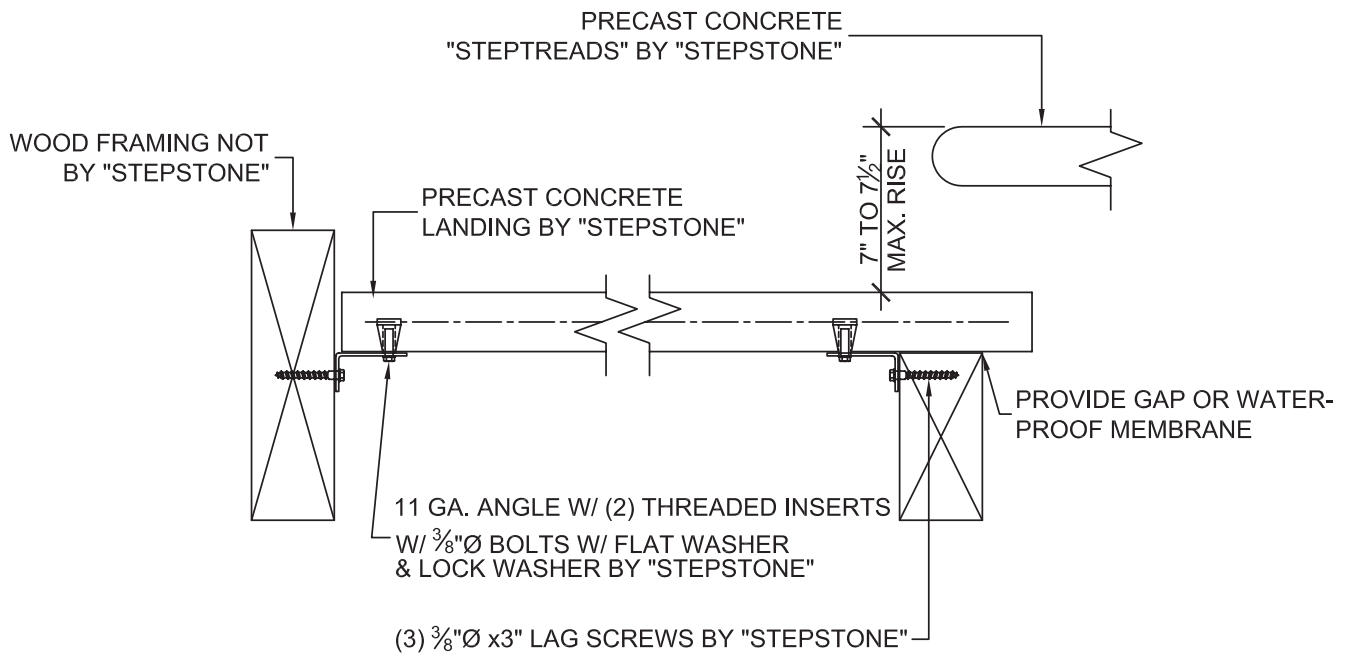


**90° LANDING SECTION -
CLOSED RISER & EXPOSED ANGLE**

SCALE: N.T.S.	
FILE: STP-3.0-11	

PRECAST CONCRETE TREADS, LANDINGS, AND BALCONIES SHOWN ON PLANS SHALL BE FROM THE "STEPTREAD" SYSTEM BY "STEPSTONE, LLC" OF GARDENA, CA. FOR STEEL OR WOOD CONSTRUCTION. THE MANUFACTURER IS TO SUPPLY ALL PRECAST CONCRETE PARTS WITH EACH "STEPTREAD" AND FEATURING EITHER CAST IN THREADED INSERTS FOR BOLTING OR AN EMBEDDED BOTTOM WELD PLATE FOR WELDING. ALL REINFORCING AND CONNECTIONS WILL BE ZINC PLATED. ONLY ITEMS NOTED BY "STEPSTONE, LLC" SHALL BE FURNISHED BY "STEPSTONE, LLC" SUCH ITEMS SHALL BE INSTALLED BY OTHERS.

FILE: STP-3.0-12
REV: 01.11.06

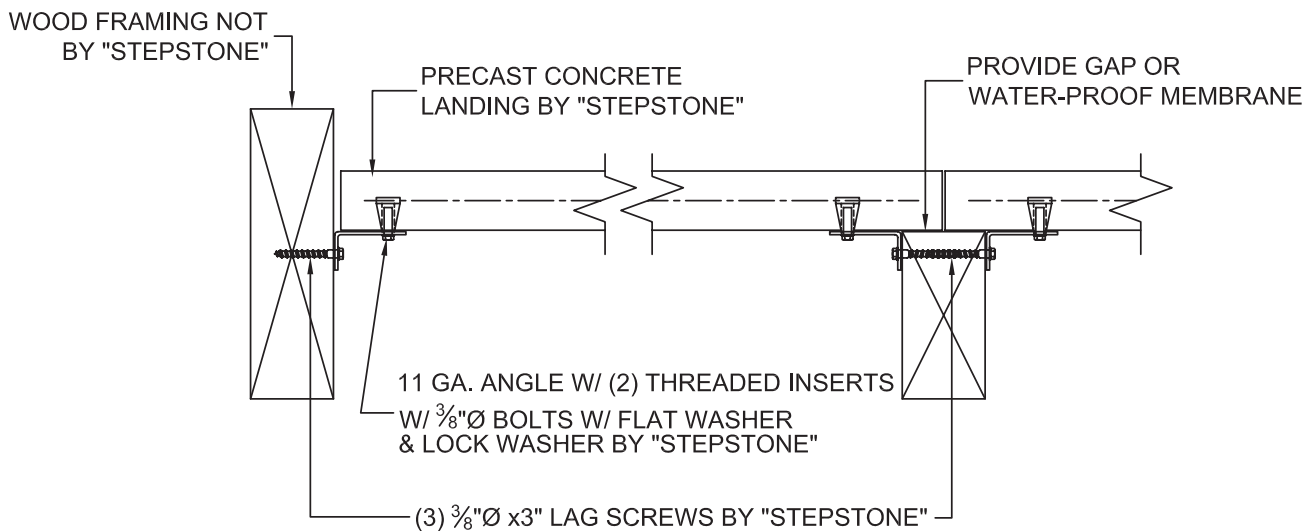


**90° LANDING SECTION -
OPEN RISER & EXPOSED ANGLE**

SCALE: N.T.S.	
FILE: STP-3.0-12	

PRECAST CONCRETE TREADS, LANDINGS, AND BALCONIES SHOWN ON PLANS SHALL BE FROM THE "STEPTREAD" SYSTEM BY "STEPSTONE, LLC" OF GARDENA, CA. FOR STEEL OR WOOD CONSTRUCTION. THE MANUFACTURER IS TO SUPPLY ALL PRECAST CONCRETE PARTS WITH EACH "STEPTREAD" AND FEATURING EITHER CAST IN THREADED INSERTS FOR BOLTING OR AN EMBEDDED BOTTOM WELD PLATE FOR WELDING. ALL REINFORCING AND CONNECTIONS WILL BE ZINC PLATED. ONLY ITEMS NOTED BY "STEPSTONE, LLC" SHALL BE FURNISHED BY "STEPSTONE, LLC" SUCH ITEMS SHALL BE INSTALLED BY OTHERS.

FILE: STP-3.0-13
REV: 01.11.06

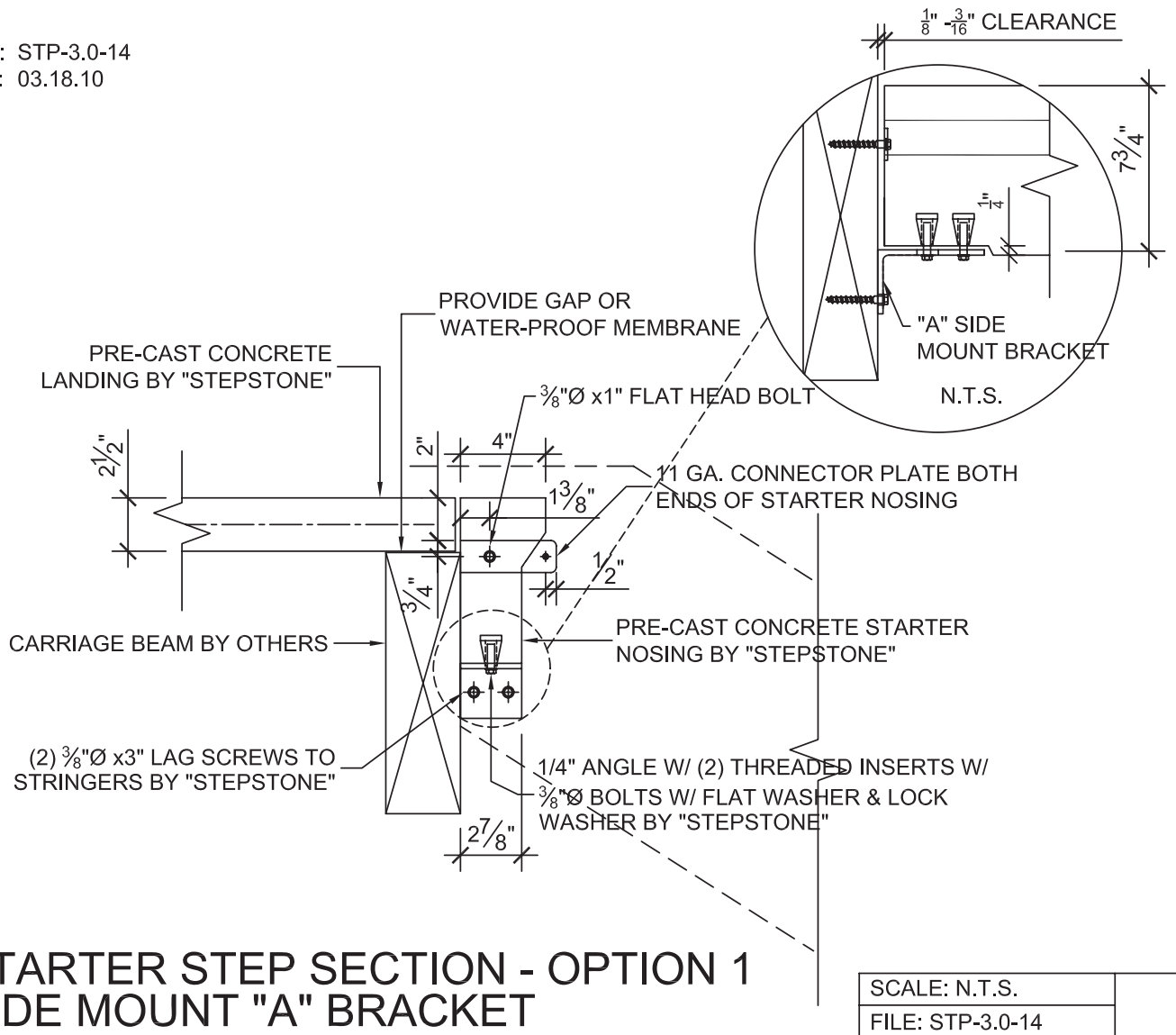


180° LANDING SECTION - EXPOSED ANGLE

SCALE: N.T.S.	
FILE: STP-3.0-13	

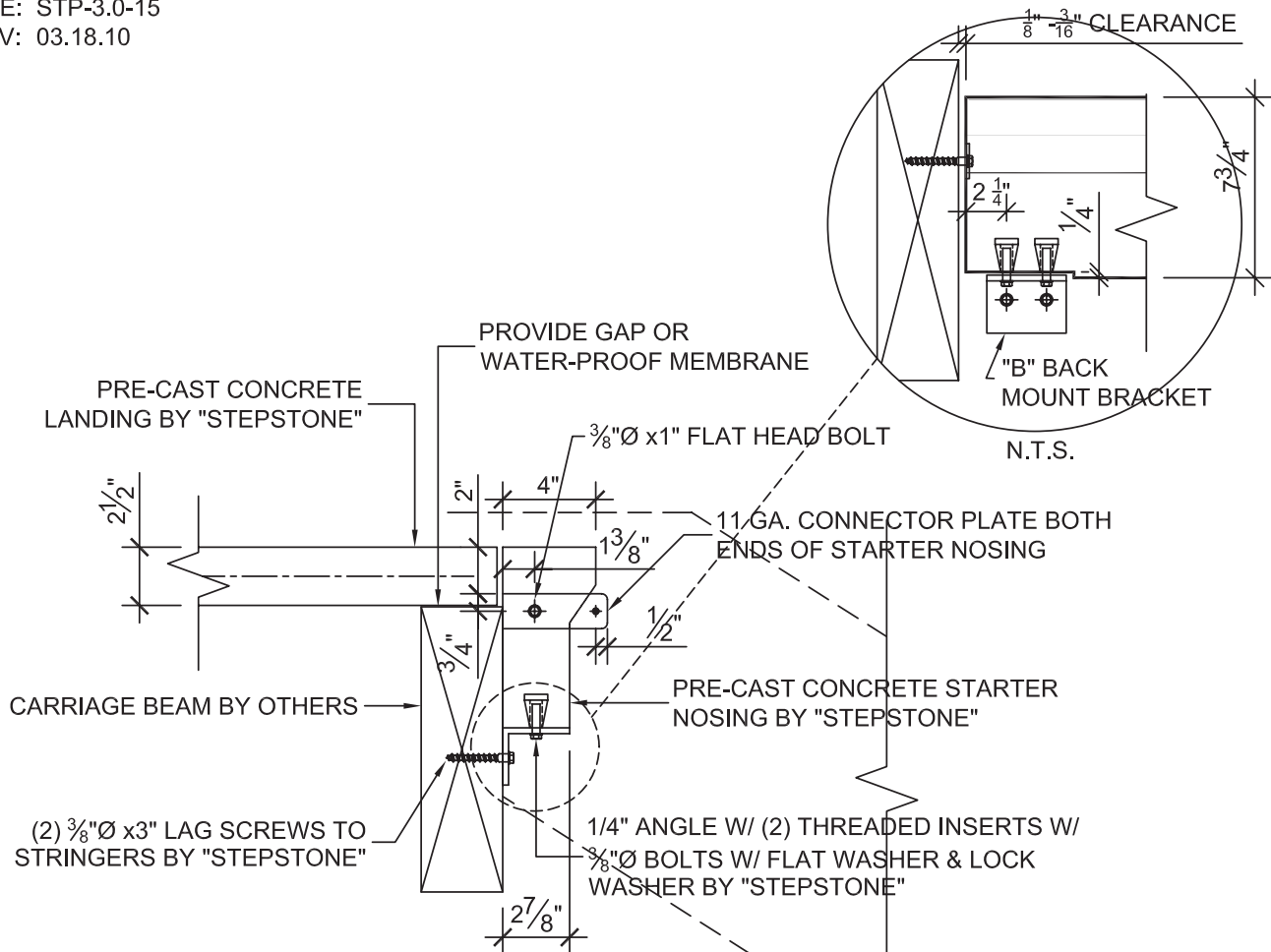
PRECAST CONCRETE TREADS, LANDINGS, AND BALCONIES SHOWN ON PLANS SHALL BE FROM THE "STEPTREAD" SYSTEM BY "STEPSTONE, LLC" OF GARDENA, CA. FOR STEEL OR WOOD CONSTRUCTION. THE MANUFACTURER IS TO SUPPLY ALL PRECAST CONCRETE PARTS WITH EACH "STEPTREAD" AND FEATURING EITHER CAST IN THREADED INSERTS FOR BOLTING OR AN EMBEDDED BOTTOM WELD PLATE FOR WELDING. ALL REINFORCING AND CONNECTIONS WILL BE ZINC PLATED. ONLY ITEMS NOTED BY "STEPSTONE, LLC" SHALL BE FURNISHED BY "STEPSTONE, LLC" SUCH ITEMS SHALL BE INSTALLED BY OTHERS.

FILE: STP-3.0-14
REV: 03.18.10



PRECAST CONCRETE TREADS, LANDINGS, AND BALCONIES SHOWN ON PLANS SHALL BE FROM THE "STEPTREAD" SYSTEM BY "STEPSTONE, LLC" OF GARDENA, CA. FOR STEEL OR WOOD CONSTRUCTION. THE MANUFACTURER IS TO SUPPLY ALL PRECAST CONCRETE PARTS WITH EACH "STEPTREAD" AND FEATURING EITHER CAST IN THREADED INSERTS FOR BOLTING OR AN EMBEDDED BOTTOM WELD PLATE FOR WELDING. ALL REINFORCING AND CONNECTIONS WILL BE ZINC PLATED. ONLY ITEMS NOTED BY "STEPSTONE, LLC" SHALL BE FURNISHED BY "STEPSTONE, LLC" SUCH ITEMS SHALL BE INSTALLED BY OTHERS.

FILE: STP-3.0-15
REV: 03.18.10

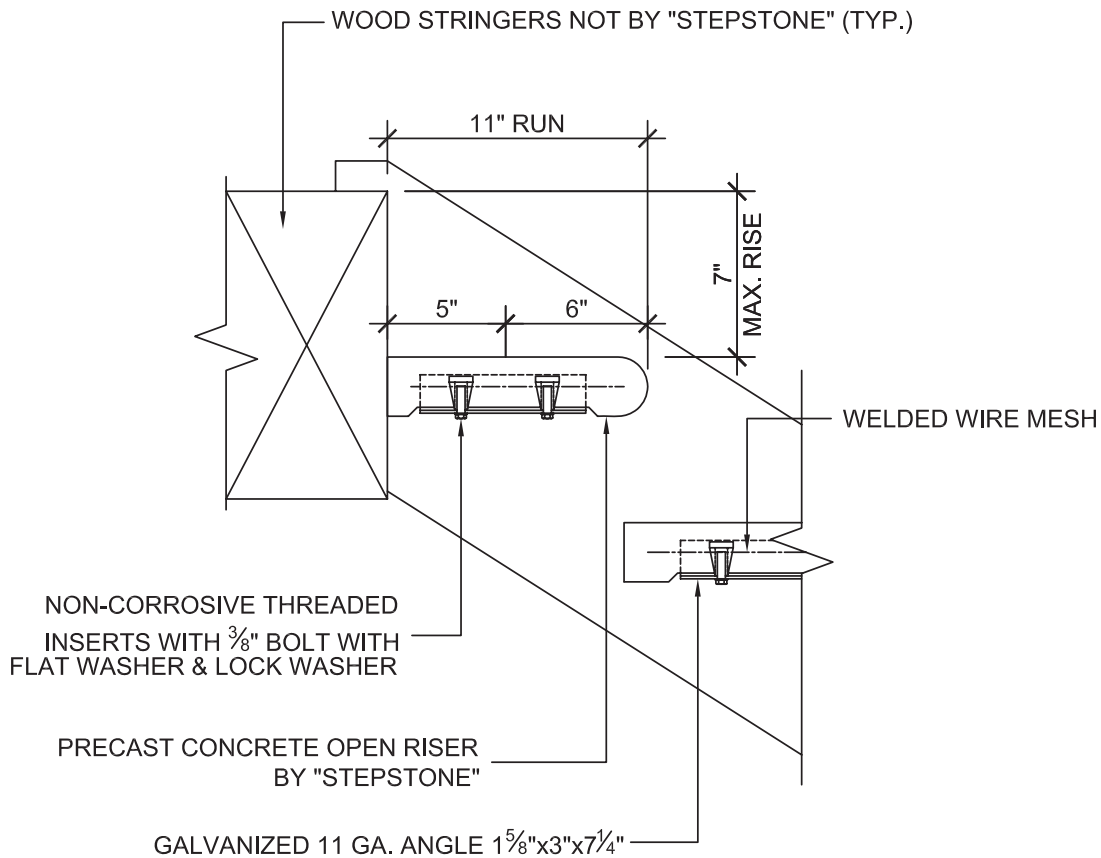


**STARTER STEP SECTION - OPTION 2
BACK MOUNT "B" BRACKET**

SCALE: N.T.S.
FILE: STP-3.0-15

PRECAST CONCRETE TREADS, LANDINGS, AND BALCONIES SHOWN ON PLANS SHALL BE FROM THE "STEPTREAD" SYSTEM BY "STEPSTONE, LLC" OF GARDENA, CA. FOR STEEL OR WOOD CONSTRUCTION. THE MANUFACTURER IS TO SUPPLY ALL PRECAST CONCRETE PARTS WITH EACH "STEPTREAD" AND FEATURING EITHER CAST IN THREADED INSERTS FOR BOLTING OR AN EMBEDDED BOTTOM WELD PLATE FOR WELDING. ALL REINFORCING AND CONNECTIONS WILL BE ZINC PLATED. ONLY ITEMS NOTED BY "STEPSTONE, LLC" SHALL BE FURNISHED BY "STEPSTONE, LLC" SUCH ITEMS SHALL BE INSTALLED BY OTHERS.

FILE: STP-3.0-16
REV: 01.11.06



TOP STEP/OPEN RISER CONNECTION BETWEEN WOOD STRINGERS, BOLTED

SCALE: N.T.S.	
FILE: STP-3.0-16	

PRECAST CONCRETE TREADS, LANDINGS, AND BALCONIES SHOWN ON PLANS SHALL BE FROM THE "STEPTREAD" SYSTEM BY "STEPSTONE, LLC" OF GARDENA, CA. FOR STEEL OR WOOD CONSTRUCTION. THE MANUFACTURER IS TO SUPPLY ALL PRECAST CONCRETE PARTS WITH EACH "STEPTREAD" AND FEATURING EITHER CAST IN THREADED INSERTS FOR BOLTING OR AN EMBEDDED BOTTOM WELD PLATE FOR WELDING. ALL REINFORCING AND CONNECTIONS WILL BE ZINC PLATED. ONLY ITEMS NOTED BY "STEPSTONE, LLC" SHALL BE FURNISHED BY "STEPSTONE, LLC" SUCH ITEMS SHALL BE INSTALLED BY OTHERS.

