

FILE: STP-0.1-09  
REV: 01.11.06

LA LANDING PLANK "A"  
LB LANDING PLANK "B"  
T TREAD  
SS STARTER STEP

STRINGER NOTCH DETAIL (N.T.S.)

ALLOW 1/8" TOLERANCE BETWEEN LANDING PLANKS.

SCALE: 1/2"=1'-0"  
FILE: STP-0.1-09

NOT USED

FILE: STP-0.1-12  
REV: 01.11.06

LA LANDING PLANK "A"  
LB LANDING PLANK "B"  
LC LANDING PLANK "C"  
T TREAD  
SS STARTER STEP

STRINGER NOTCH DETAIL (N.T.S.)

SCALE: 1/2"=1'-0"  
FILE: STP-0.1-12

NOT USED

FILE: STP-0.1-07  
REV: 01.11.06

A BULLNOSE PROFILE  
B BULLNOSE PROFILE WITH INTEGRAL AGGREGATE WARNING DETAIL  
C WEDGE PROFILE  
D WEDGE PROFILE WITH INTEGRAL AGGREGATE WARNING DETAIL

SCALE: 1-1/2"=1'-0"  
FILE: STP-0.1-07

NOT USED

FILE: STP-0.1-08  
REV: 01.11.06

LA LANDING PLANK "A"  
LB LANDING PLANK "B"  
LA LANDING PLANK "A"  
SS STARTER STEP

MATCH TREAD WIDTH

11" OR 12" OR 13"

ALLOW 1/8" TOLERANCE BETWEEN LANDING PLANKS.

SCALE: 1/2"=1'-0"  
FILE: STP-0.1-08

NOT USED

FILE: STP-0.1-09  
REV: 01.11.06

LA LANDING PLANK "A"  
LB LANDING PLANK "B"  
T TREAD  
SS STARTER STEP

STRINGER NOTCH DETAIL (N.T.S.)

ALLOW 1/8" TOLERANCE BETWEEN LANDING PLANKS.

SCALE: 1/2"=1'-0"  
FILE: STP-0.1-09

NOT USED

FILE: STP-0.1-06  
REV: 01.11.06

A MODERN PROFILE  
B MODERN PROFILE WITH INTEGRAL AGGREGATE WARNING DETAIL  
C MODERN PROFILE STARTER STEP  
D MODERN PROFILE STARTER STEP WITH INTEGRAL AGGREGATE WARNING DETAIL

SCALE: 1-1/2"=1'-0"  
FILE: STP-0.1-06

NOT USED

FILE: STP-0.1-07  
REV: 01.11.06

A BULLNOSE PROFILE  
B BULLNOSE PROFILE WITH INTEGRAL AGGREGATE WARNING DETAIL  
C WEDGE PROFILE  
D WEDGE PROFILE WITH INTEGRAL AGGREGATE WARNING DETAIL

SCALE: 1-1/2"=1'-0"  
FILE: STP-0.1-07

NOT USED

FILE: STP-0.1-08  
REV: 01.11.06

LA LANDING PLANK "A"  
LB LANDING PLANK "B"  
LA LANDING PLANK "A"  
SS STARTER STEP

MATCH TREAD WIDTH

11" OR 12" OR 13"

ALLOW 1/8" TOLERANCE BETWEEN LANDING PLANKS.

SCALE: 1/2"=1'-0"  
FILE: STP-0.1-08

NOT USED

FILE: STP-0.1-05  
REV: 07.19.07

A CLASSIC PROFILE  
B CLASSIC PROFILE WITH INTEGRAL AGGREGATE WARNING DETAIL  
C CLASSIC PROFILE STARTER STEP  
D CLASSIC PROFILE STARTER STEP WITH INTEGRAL AGGREGATE WARNING DETAIL

SCALE: 1-1/2"=1'-0"  
FILE: STP-0.1-05

NOT USED

FILE: STP-0.1-06  
REV: 01.11.06

A MODERN PROFILE  
B MODERN PROFILE WITH INTEGRAL AGGREGATE WARNING DETAIL  
C MODERN PROFILE STARTER STEP  
D MODERN PROFILE STARTER STEP WITH INTEGRAL AGGREGATE WARNING DETAIL

SCALE: 1-1/2"=1'-0"  
FILE: STP-0.1-06

NOT USED

FILE: STP-0.1-07  
REV: 01.11.06

A BULLNOSE PROFILE  
B BULLNOSE PROFILE WITH INTEGRAL AGGREGATE WARNING DETAIL  
C WEDGE PROFILE  
D WEDGE PROFILE WITH INTEGRAL AGGREGATE WARNING DETAIL

SCALE: 1-1/2"=1'-0"  
FILE: STP-0.1-07

NOT USED

FILE: STP-0.1-08  
REV: 01.11.06

LA LANDING PLANK "A"  
LB LANDING PLANK "B"  
LA LANDING PLANK "A"  
SS STARTER STEP

MATCH TREAD WIDTH

11" OR 12" OR 13"

ALLOW 1/8" TOLERANCE BETWEEN LANDING PLANKS.

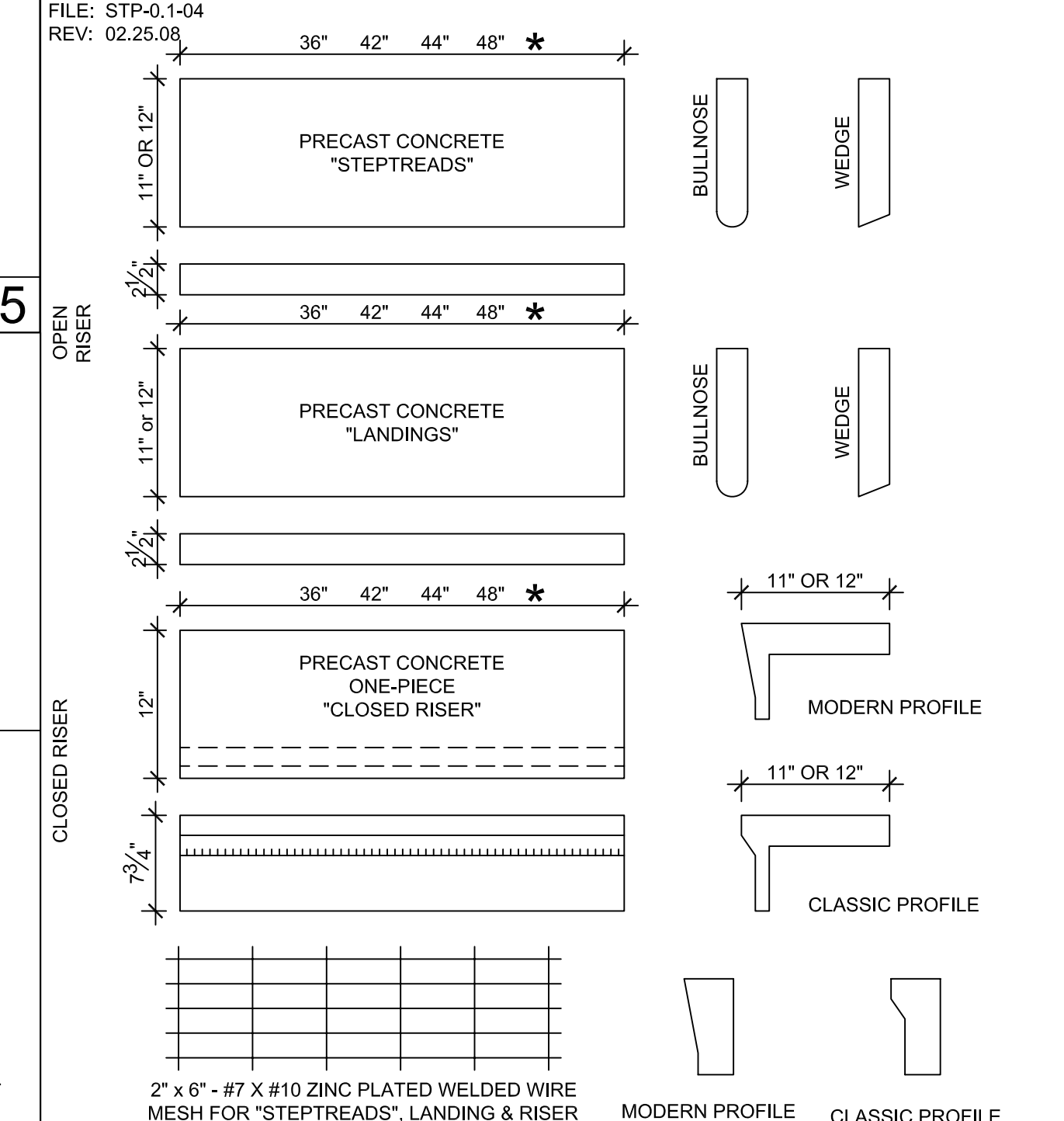
SCALE: 1/2"=1'-0"  
FILE: STP-0.1-08

NOT USED

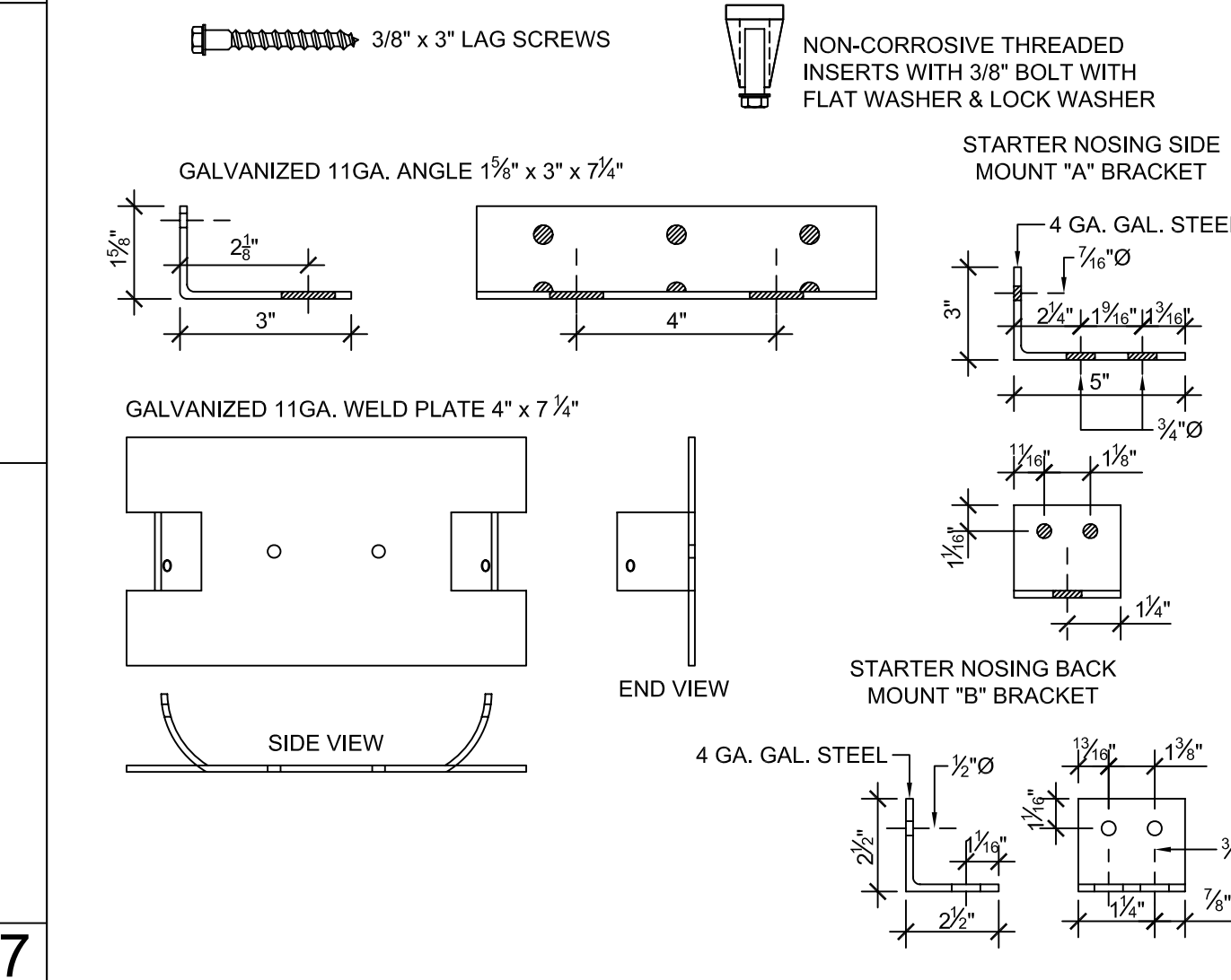
STP-0.1	GENERAL INFORMATION
STP-1.0	LAYOUT FOR WOOD STRINGERS
STP-2.0	LAYOUT FOR STEEL STRINGERS
STP-3.0	WOOD CONNECTION DETAILS
STP-4.0	STEEL CONNECTION DETAILS
STP-4.1	STEEL CONNECTION DETAILS

**SHEET INDEX**

FILE: STP-0.1-04  
REV: 02.25.08



SCALE: N.T.S.  
FILE: STP-0.1-01



SCALE: N.T.S.  
FILE: STP-0.1-04

- THIS SHEET IS INTENDED TO BE THE STANDARD PLAN ONLY FOR "STEPSTONE" PRECAST CONCRETE TREAD AND RISER SYSTEM. THE PURPOSE OF THIS STANDARD PLAN IS TO SHOW ONLY THE TREADS AND RISERS AND THEIR DIRECT CONNECTIONS TO THE SUPPORTING STRUCTURE. THIS STANDARD PLAN DOES NOT COVER THE DESIGN OR INSTALLATION OF ANY SUPPORTING STRUCTURE, HANDRAILS OR GUARDRAILS. IT DOES NOT COVER ACCESS REQUIREMENTS.
- ONLY ITEMS NOTED BY "STEPSTONE" SHALL BE FURNISHED BY "STEPSTONE". SUCH ITEMS SHALL BE INSTALLED BY OTHERS. "STEPSTONE" SHALL NOT BE RESPONSIBLE FOR THE QUALITY OF THE INSTALLATION.
- ALL ITEMS NOTED AS "NOT BY STEPSTONE" SHALL BE FURNISHED AND INSTALLED BY OTHERS. "STEPSTONE" SHALL NOT BE RESPONSIBLE FOR THE DESIGN AND INSTALLATION OF SUCH ITEMS.
- ALL WELDS NOTED AS "NOT BY STEPSTONE" ARE THE MINIMUM SIZE AND LENGTH REQUIRED BY "STEPSTONE" AND SHALL BE MADE BY OTHERS. "STEPSTONE" SHALL NOT BE RESPONSIBLE FOR THE INSPECTION OR QUALITY OF SUCH WELDS.
- ALL ITEMS HAVE STANDARD MANUFACTURING TOLERANCES.
- ALLOW 1/8" CLEARANCE BETWEEN TREADS & STRINGERS ON EACH SIDE.
- ALL CONCRETE SHALL BE 4,000 P.S.I. (TYPICAL)

\* CUSTOM LENGTHS ARE AVAILABLE.

**GENERAL DETAILS**

SCALE: N.T.S.  
FILE: STP-0.1-04

PRECAST CONCRETE TREADS, LANDINGS, AND BALCONIES SHOWN ON PLANS SHALL BE FROM THE "STEPSTAIR" SYSTEM BY "STEPSTONE, INC." OF GARDENA, CA. FOR STEEL OR WOOD CONSTRUCTION, THE MANUFACTURER IS TO SUPPLY ALL PRECAST CONCRETE PARTS WITH EACH "STEPSTAIR" AND FEATURING EITHER A RECESSED POCKET TO ACCEPT THE HIDDEN SUPPORT ANGLE OR A BOTTOM WELD PLATE. ALL REINFORCING AND CONNECTIONS WILL BE ZINC PLATED.

# STEPSTONE, INC.

17025 SOUTH MAIN STREET, GARDENA, CA. 90248  
1-800-572-9029  
WWW.STEPSTONEINC.COM

REV	BY	DESCRIPTION	DATE
1			
2			
3			

**GENERAL INFORMATION**

REV: 01.11.06

**SHEET NUMBER**

## STP-0.1

Stepstone: Stairtread

NOT USED

SCALE:  
FILE:

13 NOT USED

SCALE:  
FILE:

9

STRAIGHT STAIRS - OPEN RISER,  
BETWEEN WOOD STRINGERS

SCALE: 1/4"=1'-0"  
FILE: STP-1.0-05

5

STRAIGHT STAIRS - CLOSED RISER,  
BETWEEN WOOD STRINGERS

SCALE: 1/4"=1'-0"  
FILE: STP-1.0-01

1

NOT USED

SCALE:  
FILE:

14 NOT USED

SCALE:  
FILE:

10

STRAIGHT STAIRS WITH INTERMEDIATE LANDING -  
OPEN RISER, BETWEEN WOOD STRINGERS

SCALE: 1/4"=1'-0"  
FILE: STP-1.0-06

6

STRAIGHT STAIRS WITH INTERMEDIATE LANDING -  
CLOSED RISER, BETWEEN WOOD STRINGERS

SCALE: 1/4"=1'-0"  
FILE: STP-1.0-02

2

NOT USED

SCALE:  
FILE:

15 NOT USED

SCALE:  
FILE:

11

90° LANDING -  
OPEN RISER, BETWEEN WOOD STRINGERS

SCALE: 1/4"=1'-0"  
FILE: STP-1.0-07

7

90° LANDING -  
CLOSED RISER, BETWEEN WOOD STRINGERS

SCALE: 1/4"=1'-0"  
FILE: STP-1.0-03

3

NOT USED

SCALE:  
FILE:

16 NOT USED

SCALE:  
FILE:

12

180° LANDING -  
OPEN RISER, BETWEEN WOOD STRINGERS

SCALE: 1/4"=1'-0"  
FILE: STP-1.0-08

8

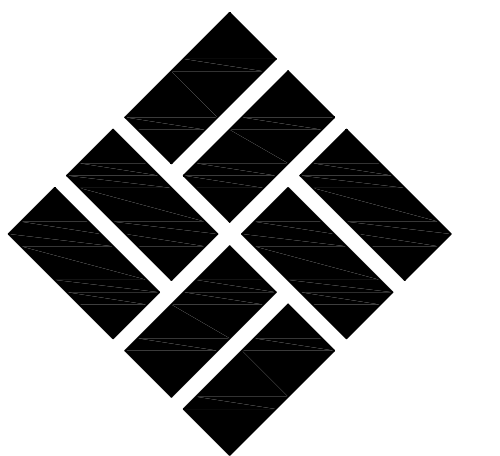
180° LANDING -  
CLOSED RISER, BETWEEN WOOD STRINGERS

SCALE: 1/4"=1'-0"  
FILE: STP-1.0-04

4

STEPSTONE, INC.

17025 SOUTH MAIN STREET, GARDENA, CA. 90248  
1-800-572-9029  
WWW.STEPSTONEINC.COM



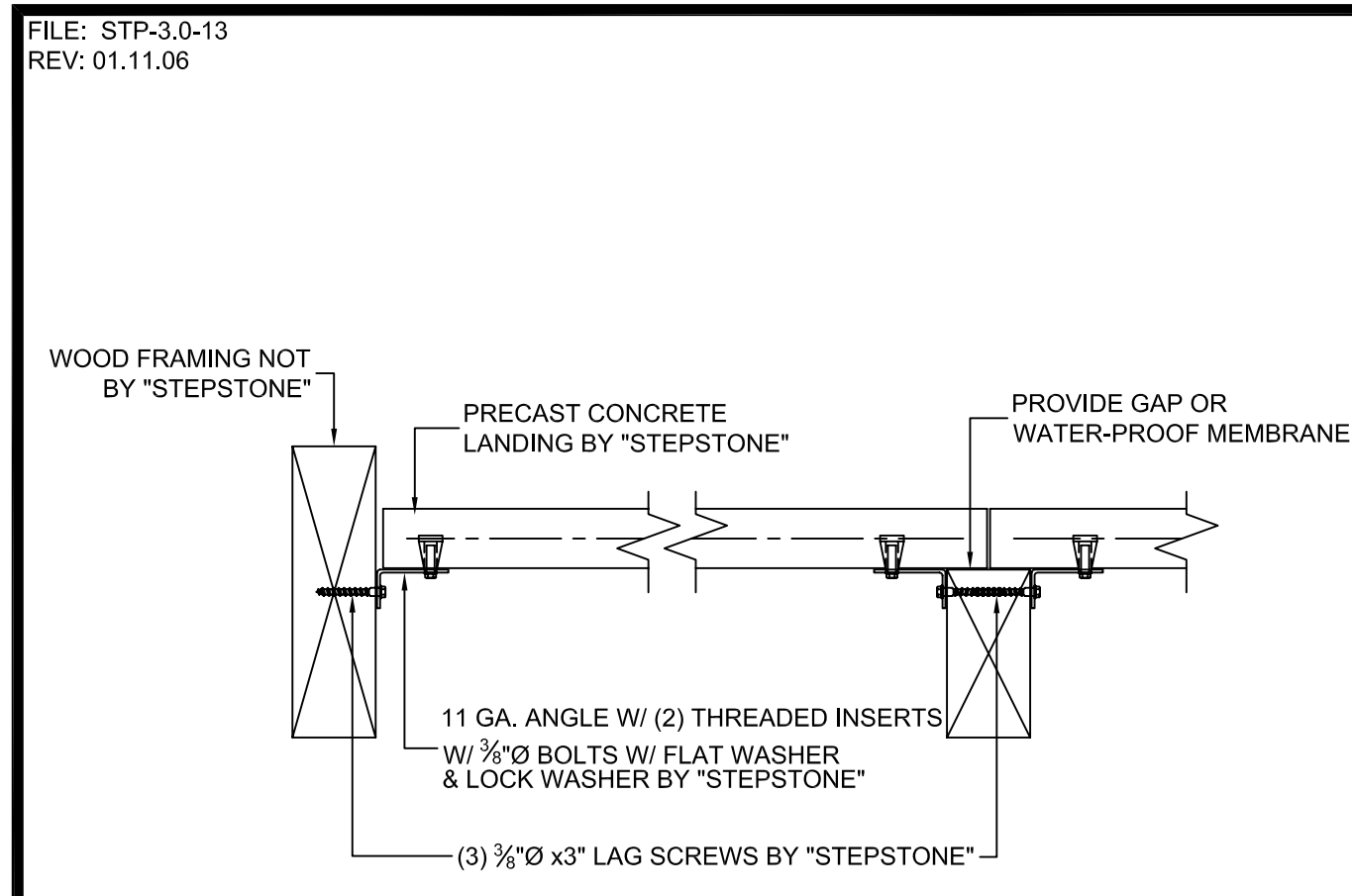
REV	BY	DESCRIPTION	DATE
1			
2			
3			

LAYOUT FOR  
WOOD STRINGERS

REV: 01.11.06

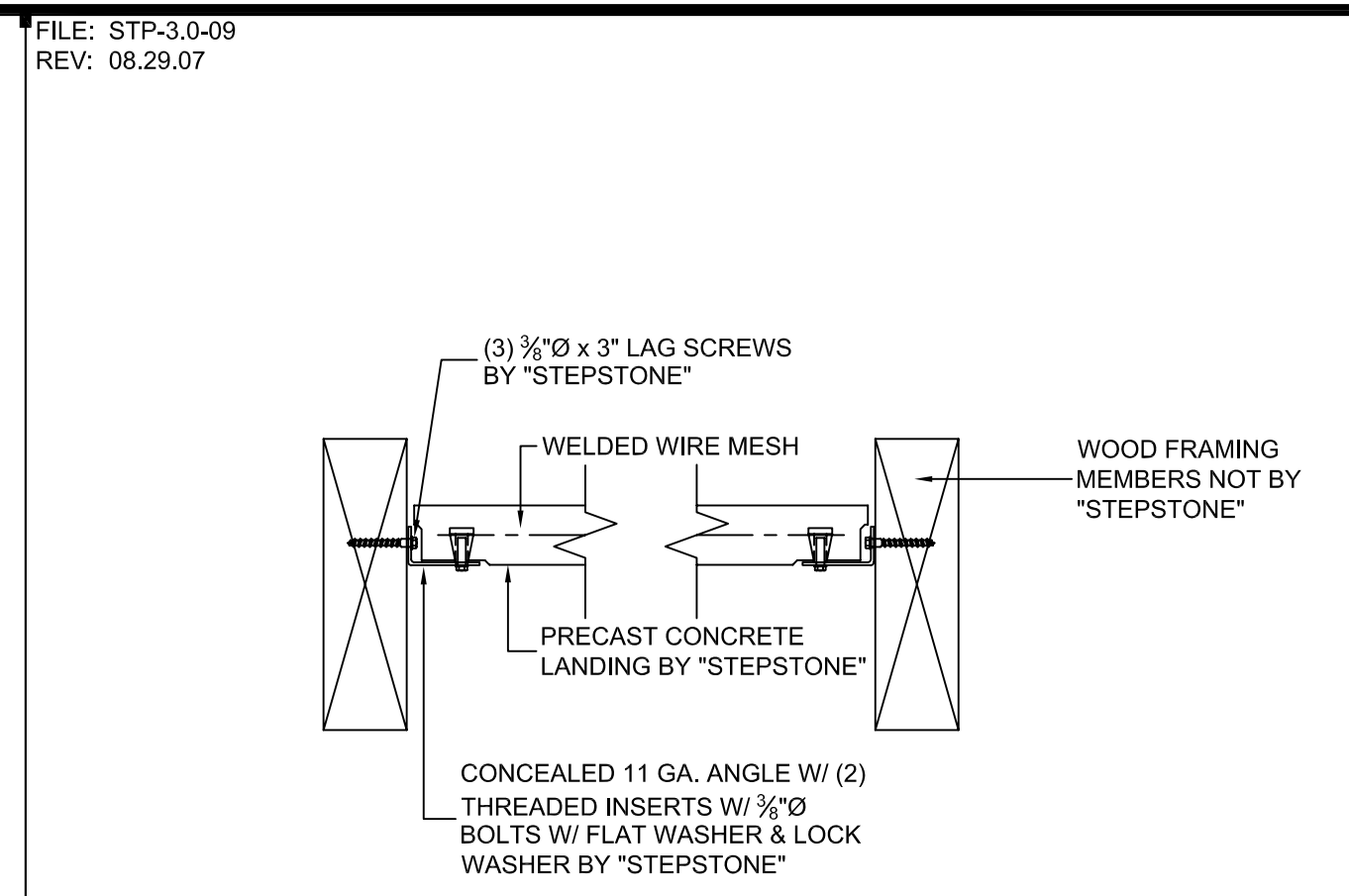
SHEET NUMBER

STP-1.0



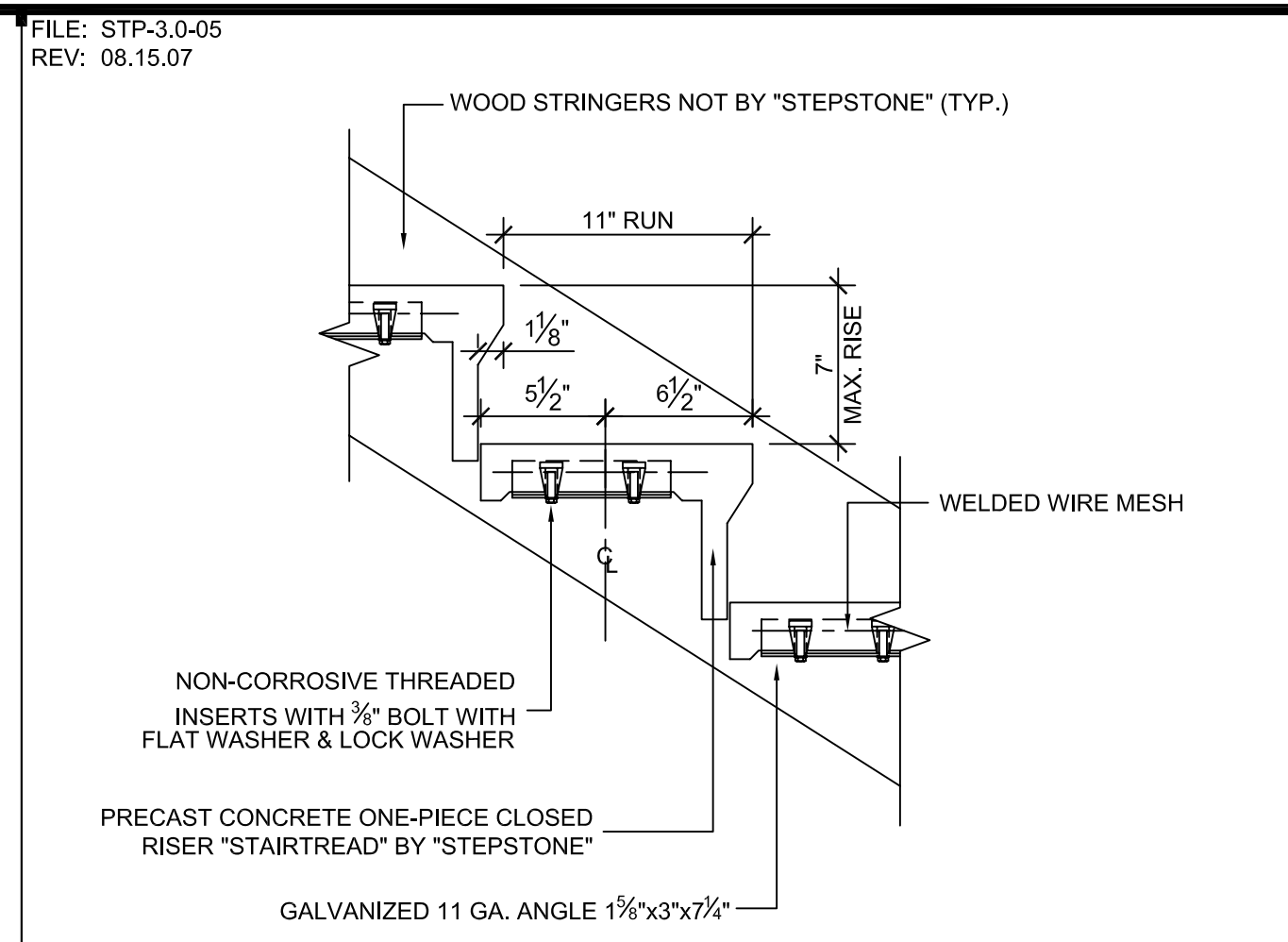
180° LANDING SECTION - EXPOSED ANGLE

SCALE: 1-1/2"=1'-0"  
FILE: STP-3.0-13



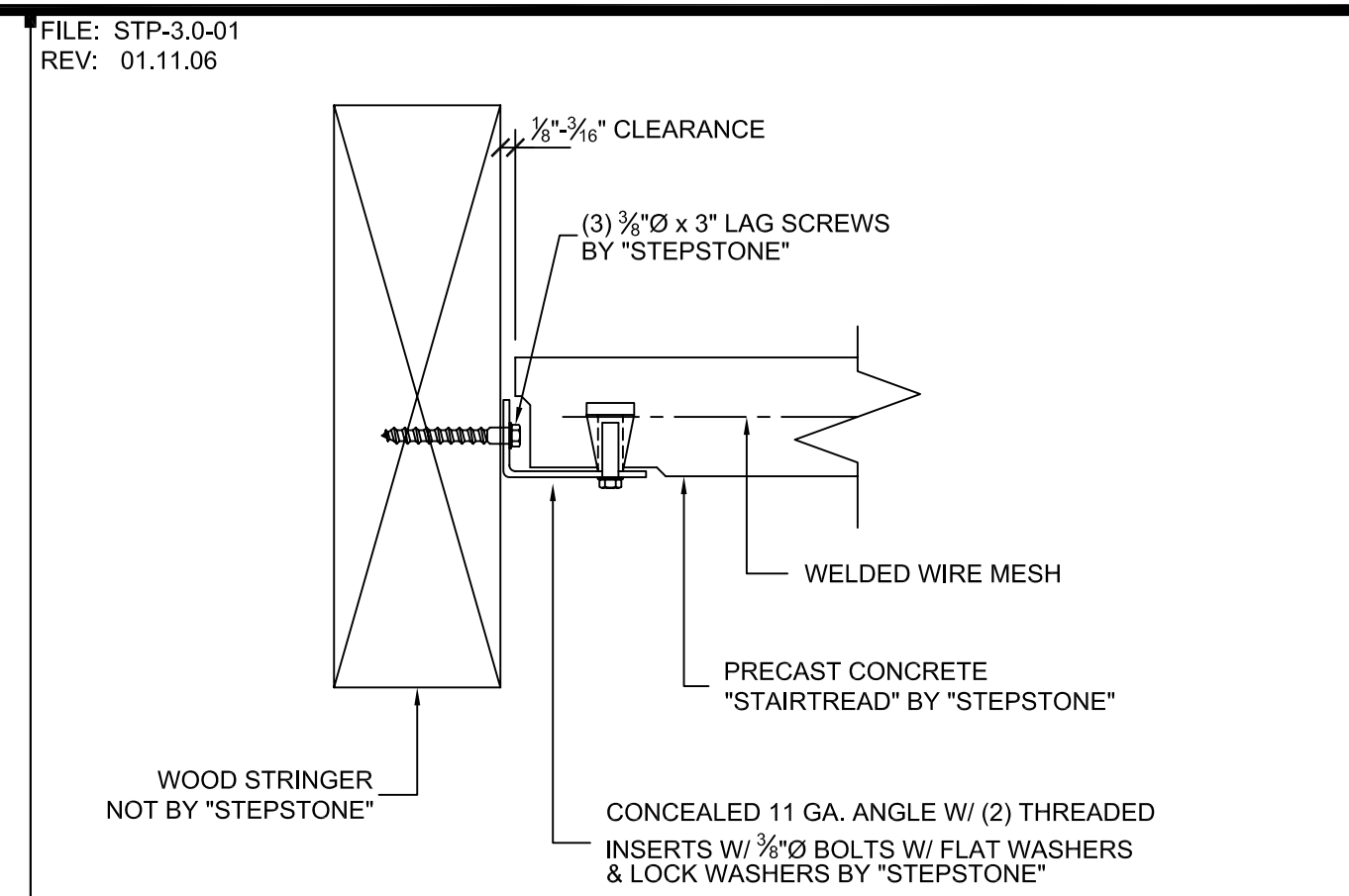
LANDING SECTION - CONCEALED ANGLE

SCALE: 1-1/2"=1'-0"  
FILE: STP-3.0-09



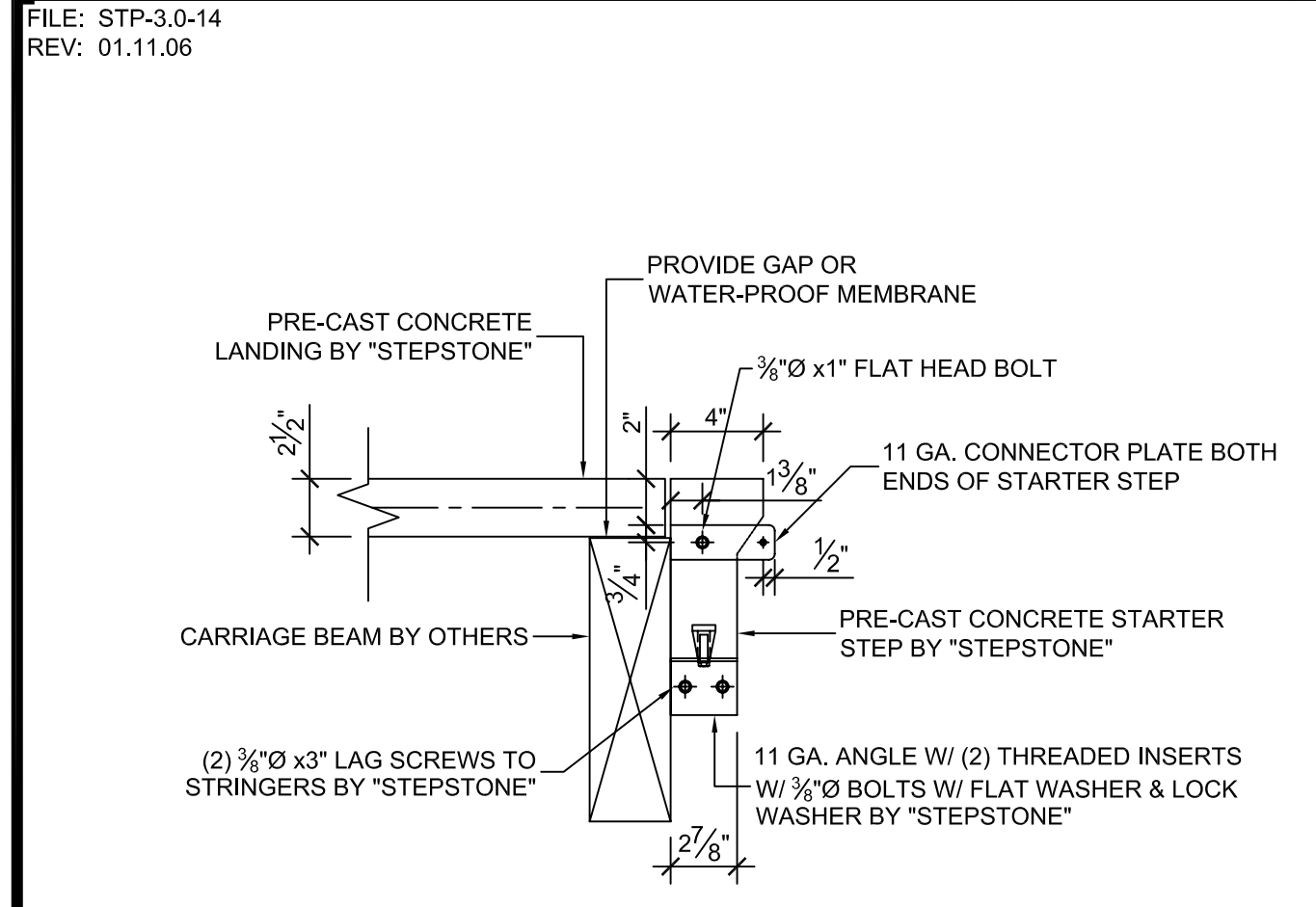
CLOSED RISER SECTION - CONCEALED ANGLE

SCALE: 1-1/2"=1'-0"  
FILE: STP-3.0-05



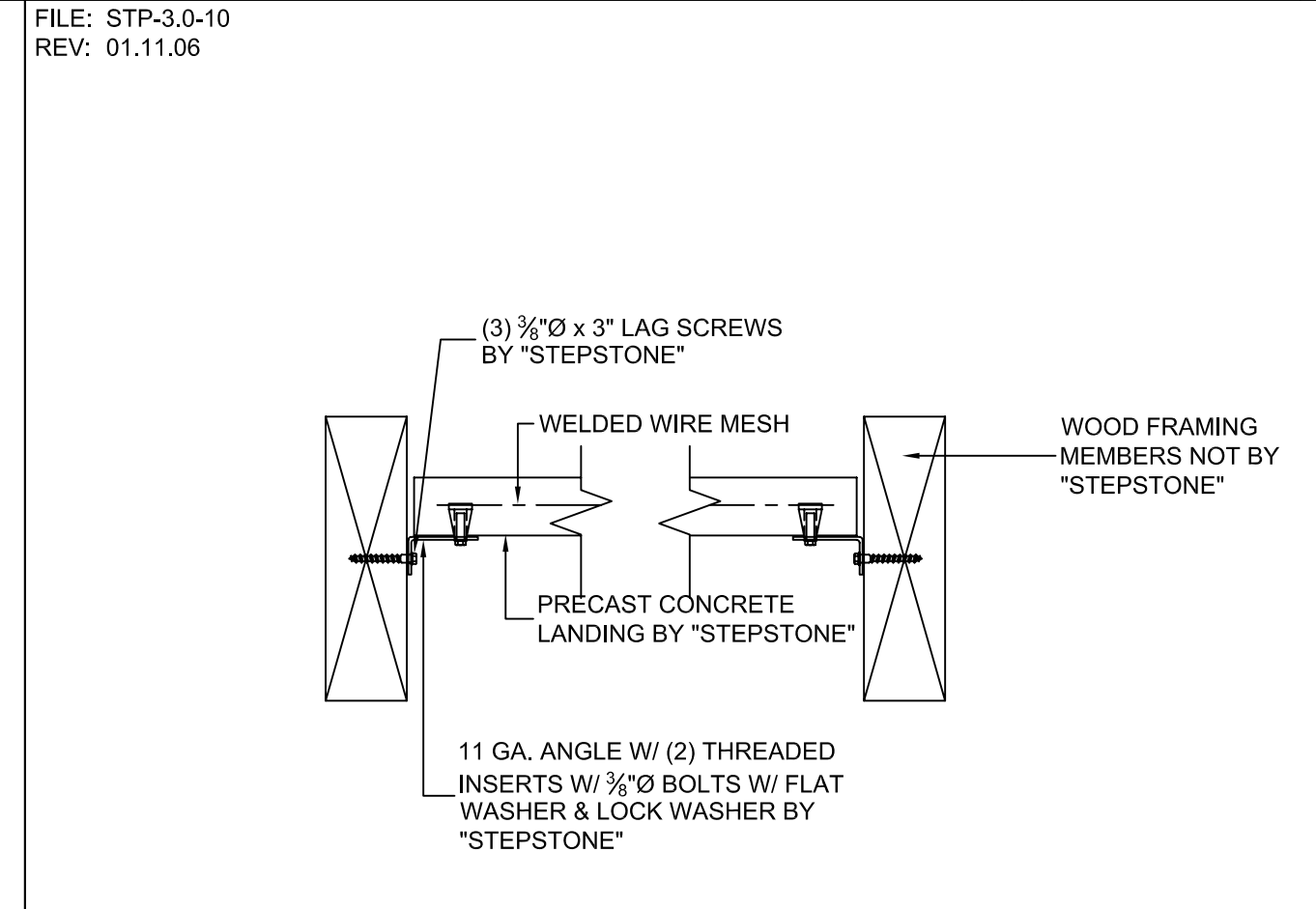
STAIR END DETAIL - CONCEALED ANGLE

SCALE: 3"=1'-0"  
FILE: STP-3.0-01



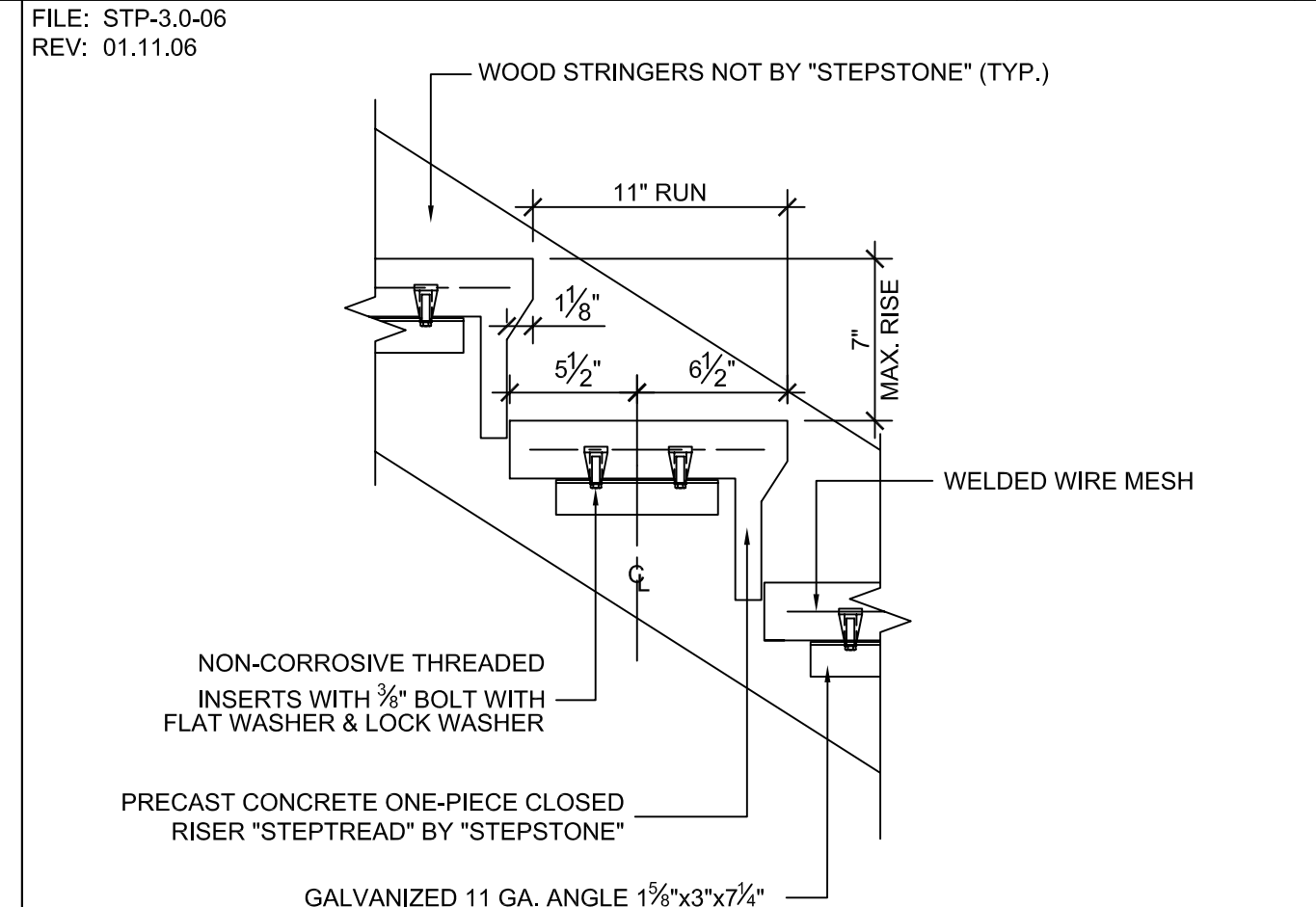
STARTER STEP SECTION - OPTION 1 SIDE MOUNT "A" BRACKET

SCALE: 1-1/2"=1'-0"  
FILE: STP-3.0-14



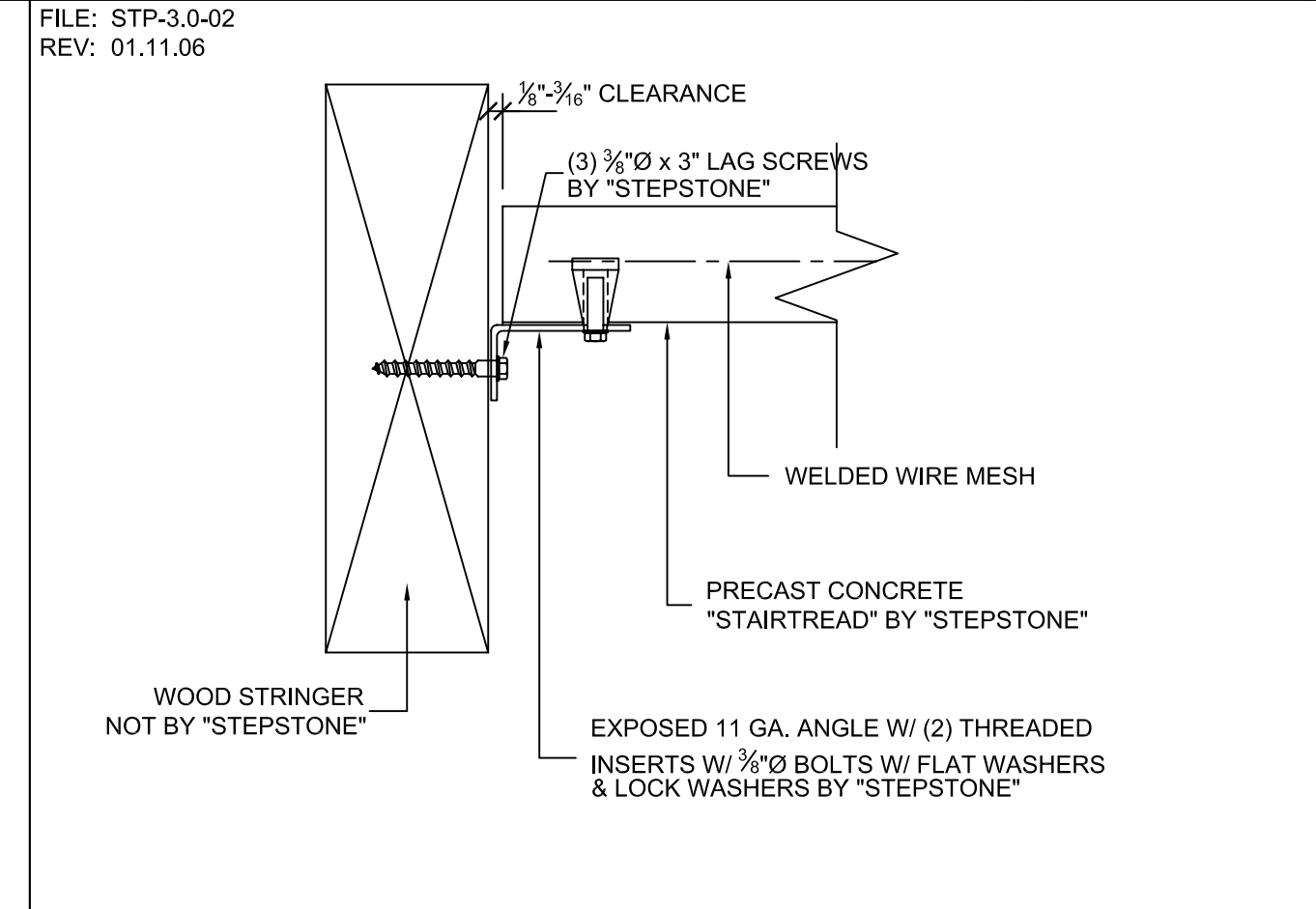
LANDING SECTION - EXPOSED ANGLE

SCALE: 1-1/2"=1'-0"  
FILE: STP-3.0-10



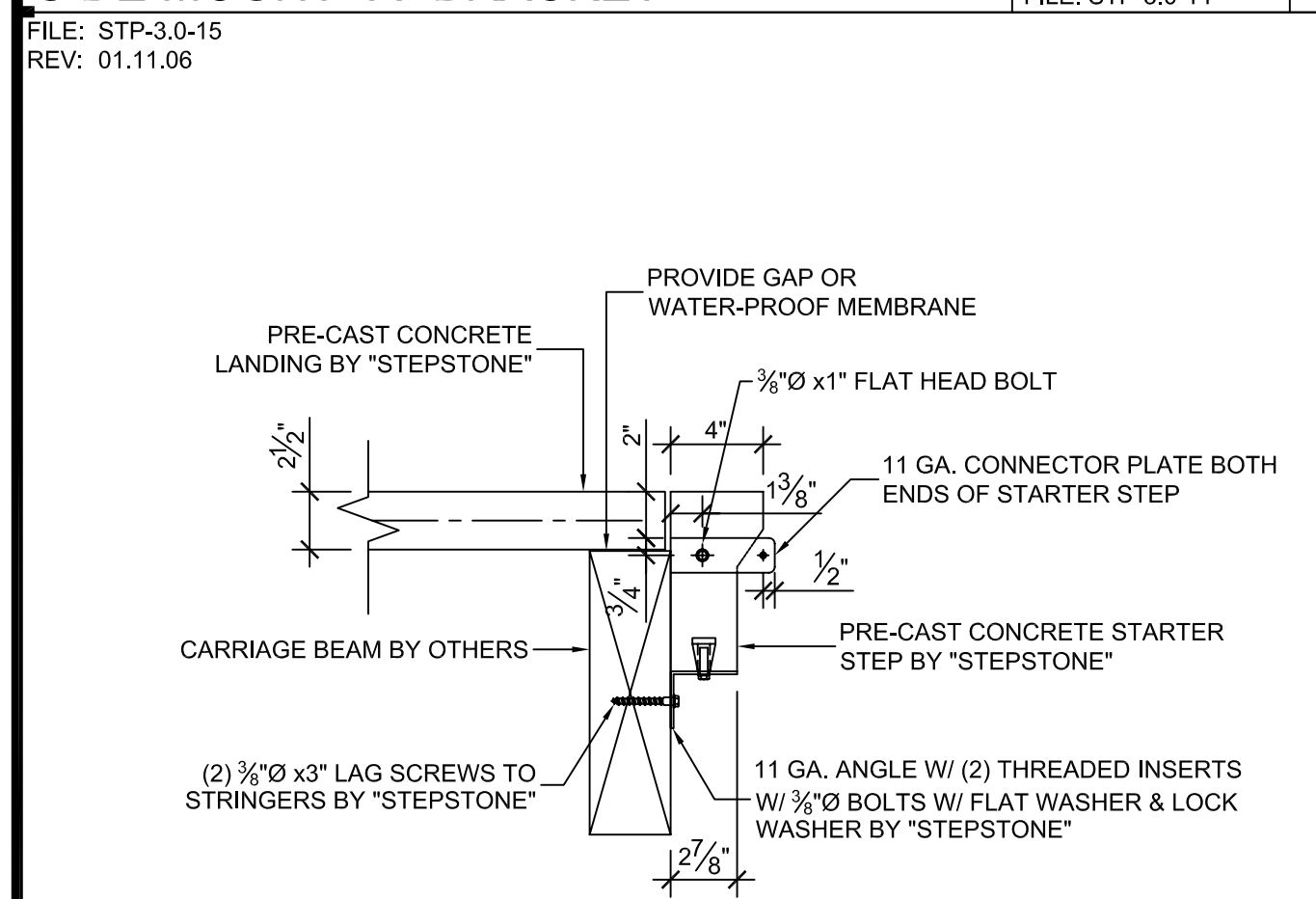
CLOSED RISER SECTION - EXPOSED ANGLE

SCALE: 1-1/2"=1'-0"  
FILE: STP-3.0-06



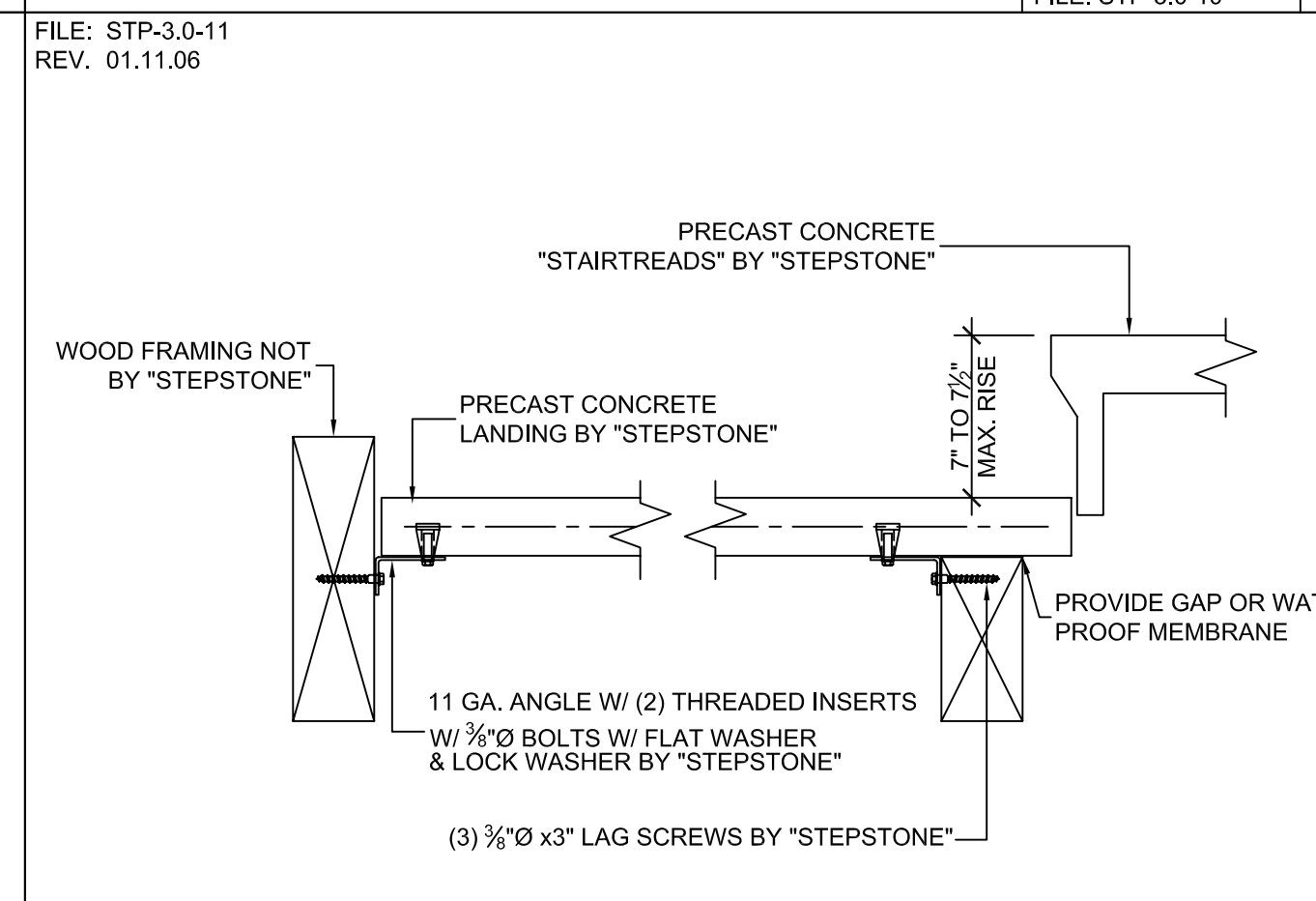
STAIR END DETAIL - EXPOSED ANGLE

SCALE: 3"=1'-0"  
FILE: STP-3.0-02



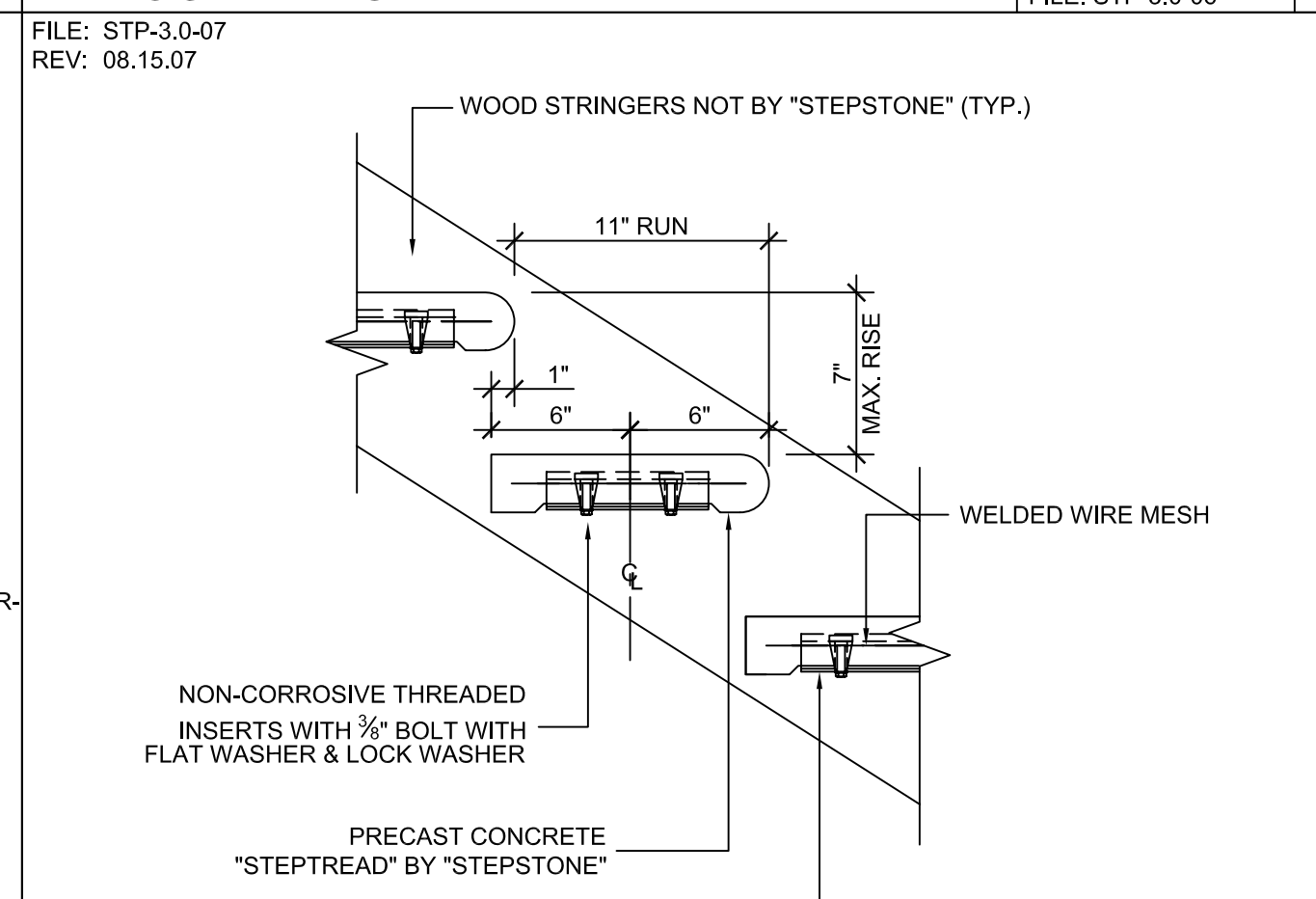
STARTER STEP SECTION - OPTION 2 BACK MOUNT "B" BRACKET

SCALE: 1-1/2"=1'-0"  
FILE: STP-3.0-15



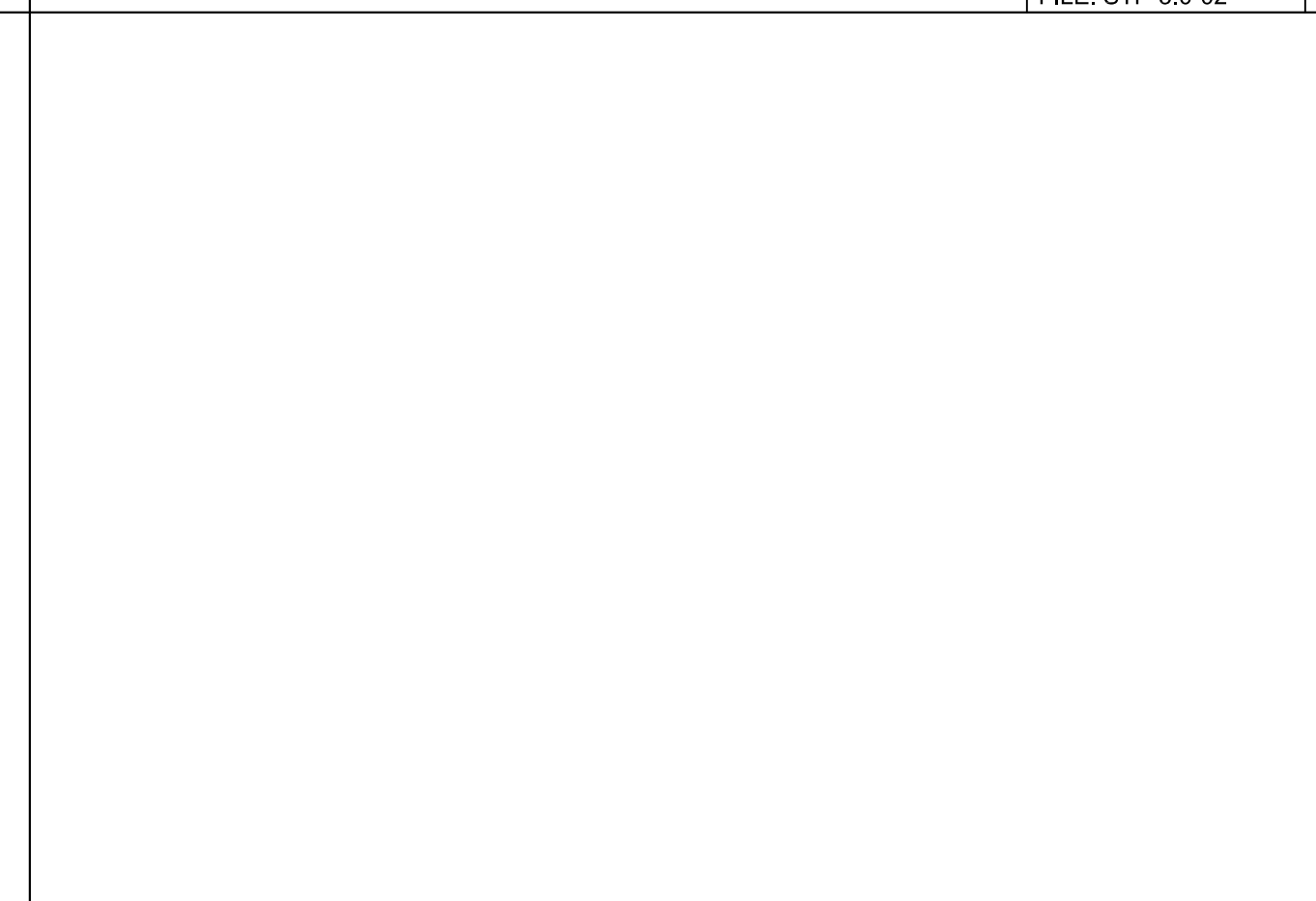
90° LANDING SECTION - CLOSED RISER & EXPOSED ANGLE

SCALE: 1-1/2"=1'-0"  
FILE: STP-3.0-11



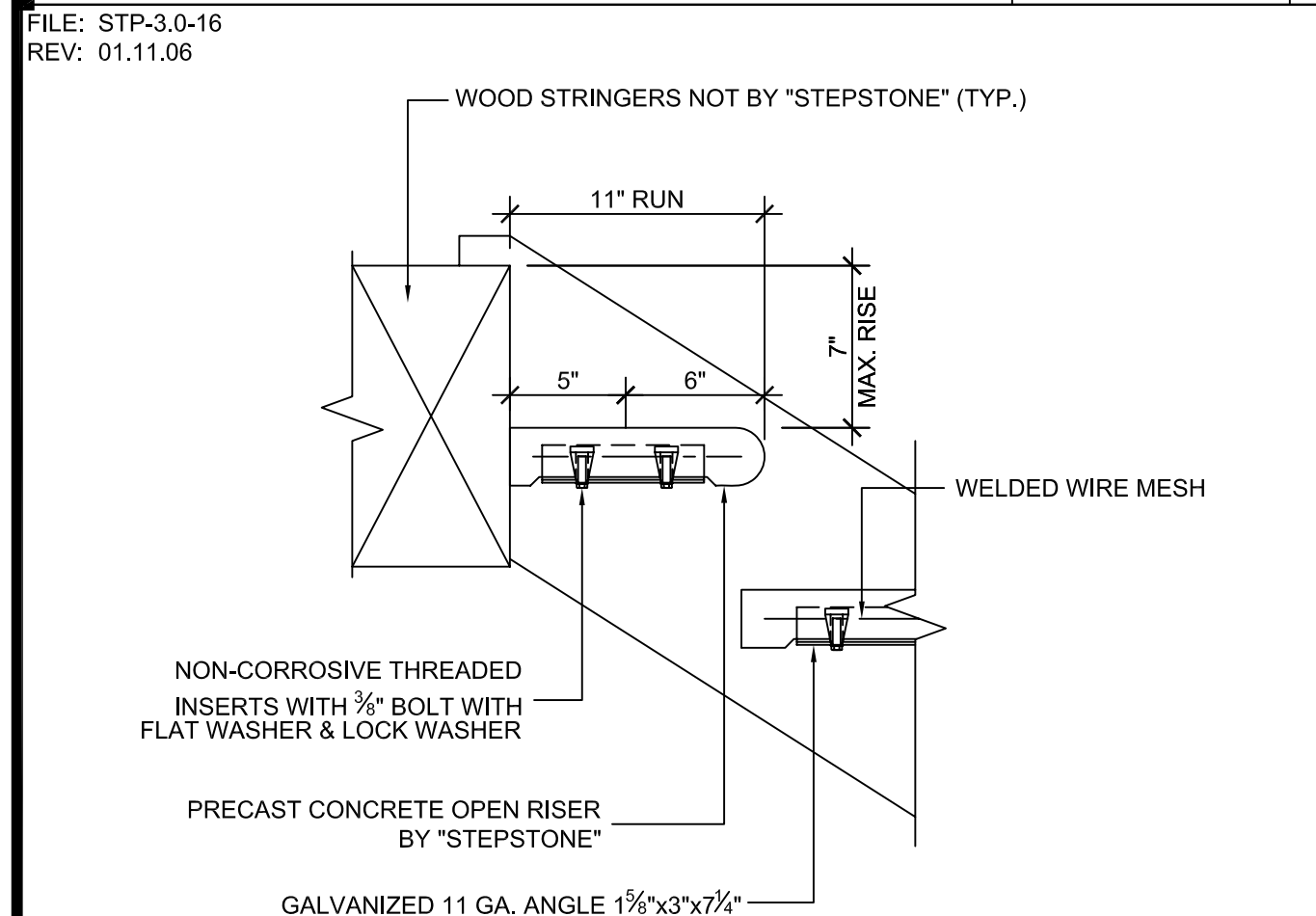
OPEN RISER SECTION - CONCEALED ANGLE

SCALE: 1-1/2"=1'-0"  
FILE: STP-3.0-07



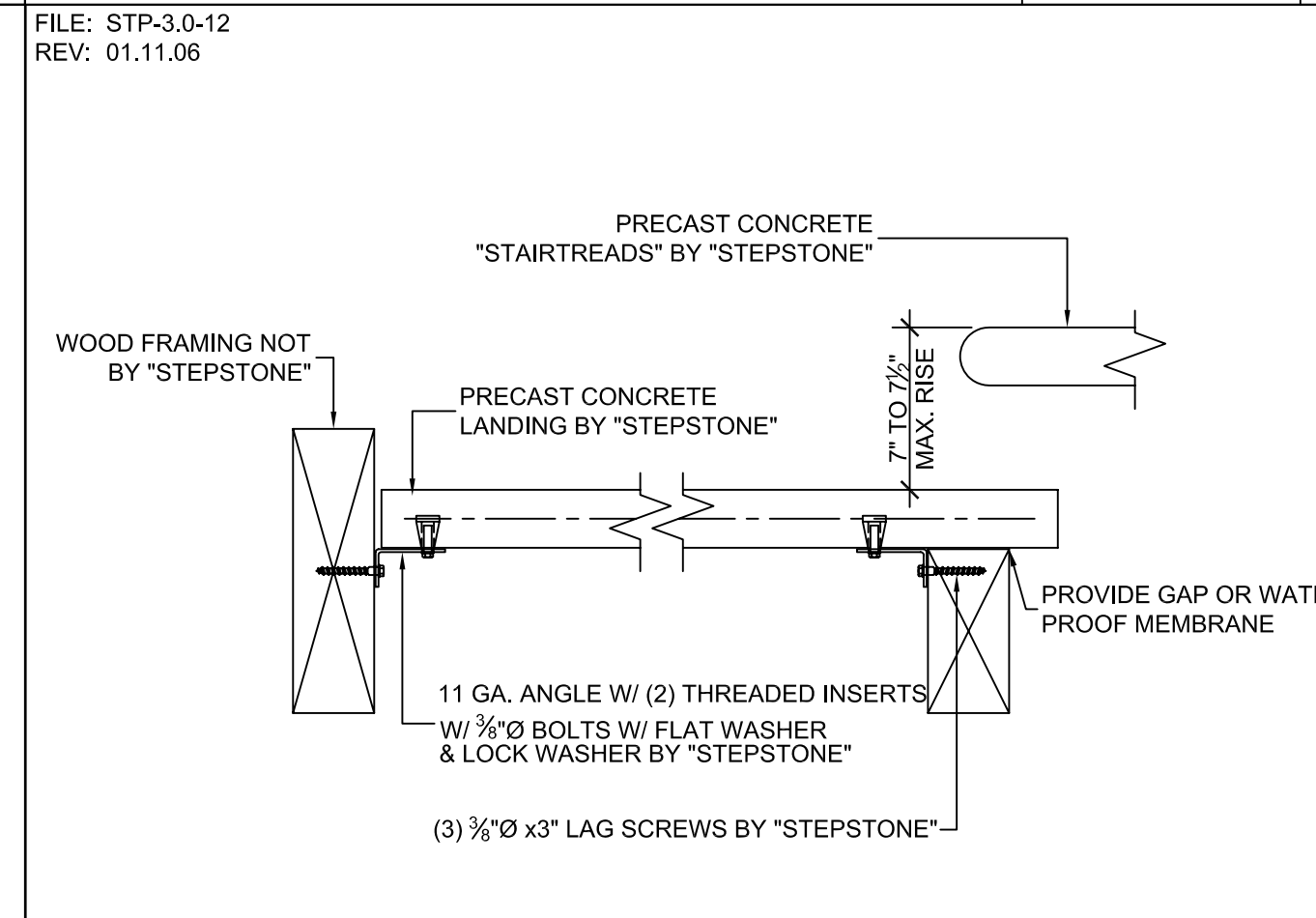
NOT USED

SCALE: FILE:



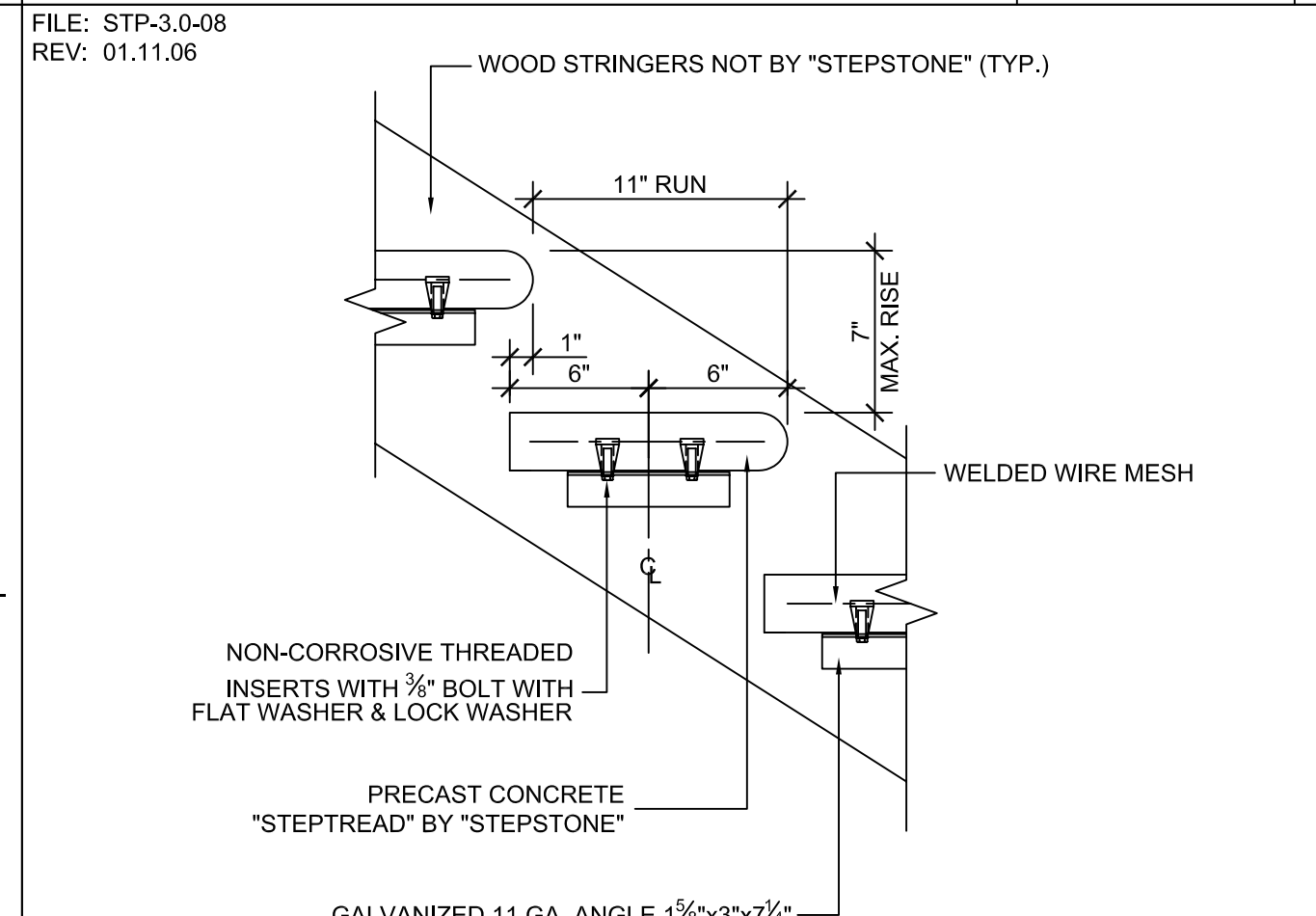
TOP STEP/OPEN RISER CONNECTION BETWEEN WOOD STRINGERS, BOLTED

SCALE: 1-1/2"=1'-0"  
FILE: STP-3.0-16



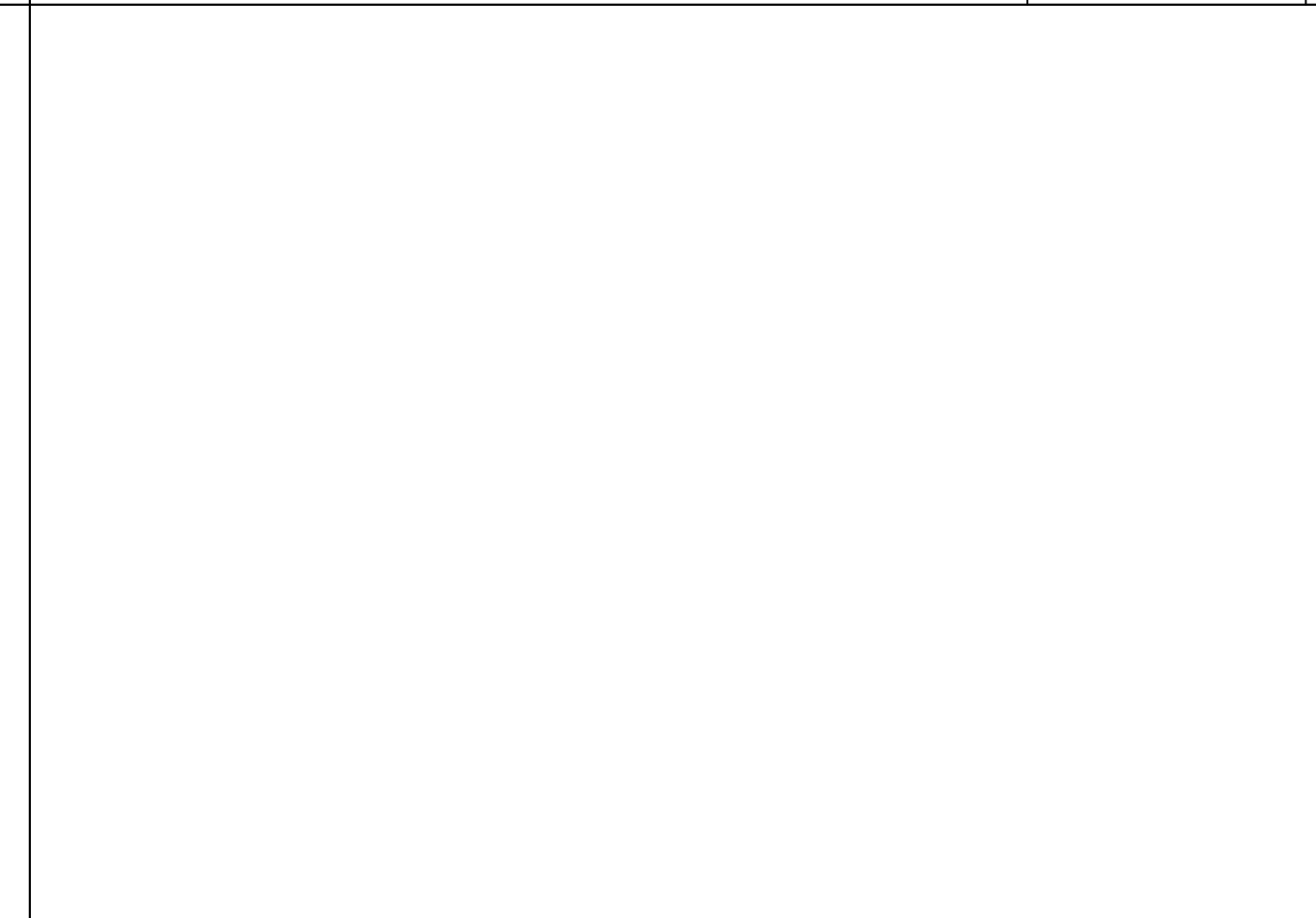
90° LANDING SECTION - OPEN RISER & EXPOSED ANGLE

SCALE: 1-1/2"=1'-0"  
FILE: STP-3.0-12



OPEN RISER SECTION - EXPOSED ANGLE

SCALE: 1-1/2"=1'-0"  
FILE: STP-3.0-08

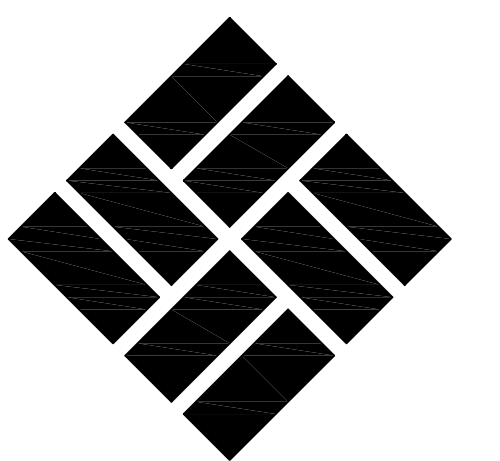


NOT USED

SCALE: FILE:

**STEPSTONE, INC.**

17025 SOUTH MAIN STREET, GARDENA, CA. 90248  
1-800-572-9029  
WWW.STEPSTONEINC.COM



REV	BY	DESCRIPTION	DATE
1			
2			
3			

CONNECTION DETAILS (WOOD STRINGERS)  
REV: 01.11.06

SHEET NUMBER

**STP-3.0**