

ROOF PAVER DETAILS

PAGE #

ROOF PAVER SIZES	2
ROOF PAVER SIZE DETAILS	3-5
ROOF PAVER APPLICATIONS	6
CALARC® PEDESTAL SET, REINFORCED ROOF PAVER	7
LARGE SCALE CALARC® PEDESTAL SET, REINFORCED ROOF PAVER	8
CALARC® FALSE JOINT PEDESTAL SET, REINFORCED ROOF PAVER	9-10
MADERASTONE® PEDESTAL SET REINFORCED ROOF PAVER	11-12
CALARC® LIGHTWEIGHT ROOF PAVER	13
CALARC® DRYDECK® PAVER	14
CALARC® ROOFTRAC® PERIMETER PAVING TRACK	15

CALARC® PEDESTAL SET REINFORCED ROOF PAVERS (TOP DIMENSION)

11 ³ / ₄ " x 11 ³ / ₄ " x 2" [*]	17 ³ / ₄ " x 17 ³ / ₄ " x 2"	23 ³ / ₄ " x 23 ³ / ₄ " x 2"
11 ³ / ₄ " x 23 ³ / ₄ " x 2"	17 ³ / ₄ " x 23 ³ / ₄ " x 2"	
	17 ³ / ₄ " x 35 ³ / ₄ " x 2"	

LARGE SCALE CALARC® PEDESTAL SET REINFORCED ROOF PAVERS (TOP DIMENSION)

11 ³ / ₄ " x 11 ³ / ₄ " x 2 ¹ / ₂ " [*]	17 ³ / ₄ " x 17 ³ / ₄ " x 2 ¹ / ₂ "	23 ³ / ₄ " x 23 ³ / ₄ " x 2 ¹ / ₂ "	29 ³ / ₄ " x 29 ³ / ₄ " x 2 ¹ / ₂ "	35 ³ / ₄ " x 35 ³ / ₄ " x 2 ¹ / ₂ "
11 ³ / ₄ " x 23 ³ / ₄ " x 2 ¹ / ₂ "		23 ³ / ₄ " x 35 ³ / ₄ " x 2 ¹ / ₂ "		
11 ³ / ₄ " x 35 ³ / ₄ " x 2 ¹ / ₂ "	17 ³ / ₄ " x 35 ³ / ₄ " x 2 ¹ / ₂ "	23 ³ / ₄ " x 47 ³ / ₄ " x 2 ¹ / ₂ "		
11 ³ / ₄ " x 47 ³ / ₄ " x 2 ¹ / ₂ "	17 ³ / ₄ " x 47 ³ / ₄ " x 2 ¹ / ₂ "	23 ³ / ₄ " x 59 ³ / ₄ " x 2 ¹ / ₂ "		
11 ³ / ₄ " x 59 ³ / ₄ " x 2 ¹ / ₂ "	17 ³ / ₄ " x 59 ³ / ₄ " x 2 ¹ / ₂ "			

FALSE JOINT REINFORCED ROOF PAVER, PEDESTAL SUPPORTED (TOP DIMENSION)

23 ³ / ₄ " x 35 ³ / ₄ " x 2"	23 ³ / ₄ " x 23 ³ / ₄ " x 2"	23 ³ / ₄ " x 35 ³ / ₄ " x 2 ¹ / ₂ "	23 ³ / ₄ " x 47 ³ / ₄ " x 2 ¹ / ₂ "
--	--	---	---

LIGHTWEIGHT ROOF PAVERS (TOP DIMENSION)

23 ³ / ₄ " x 23 ³ / ₄ " x 2 ¹ / ₂ "

DRYDECK® PAVER (TOP DIMENSION)

23 ³ / ₄ " x 23 ³ / ₄ " x 2 ¹ / ₂ "

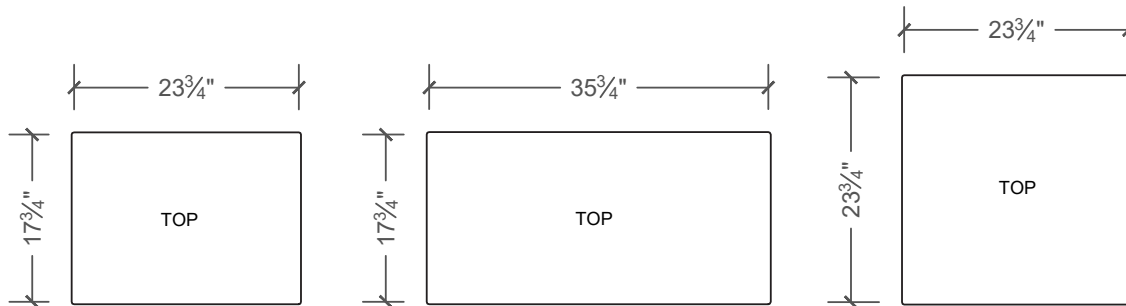
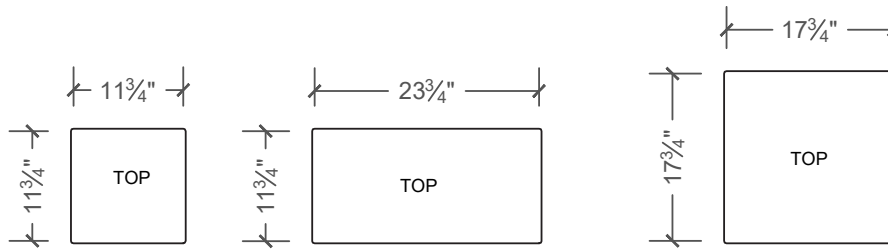
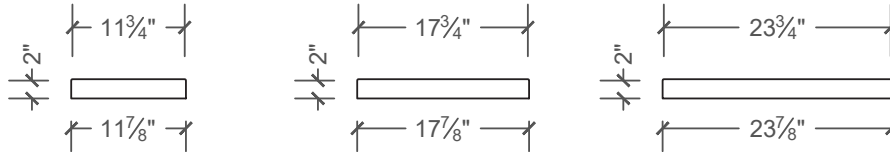
ROOFTRAC®

12" x 48" x 2 ¹ / ₂ " (Typical)

ALL SIDES HAVE DRAFT.
SEE SPECIFICATIONS FOR TOLERANCES.

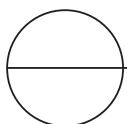
^{*}Does not require reinforcement.

SIDE VIEW, TYP.



NOTES:

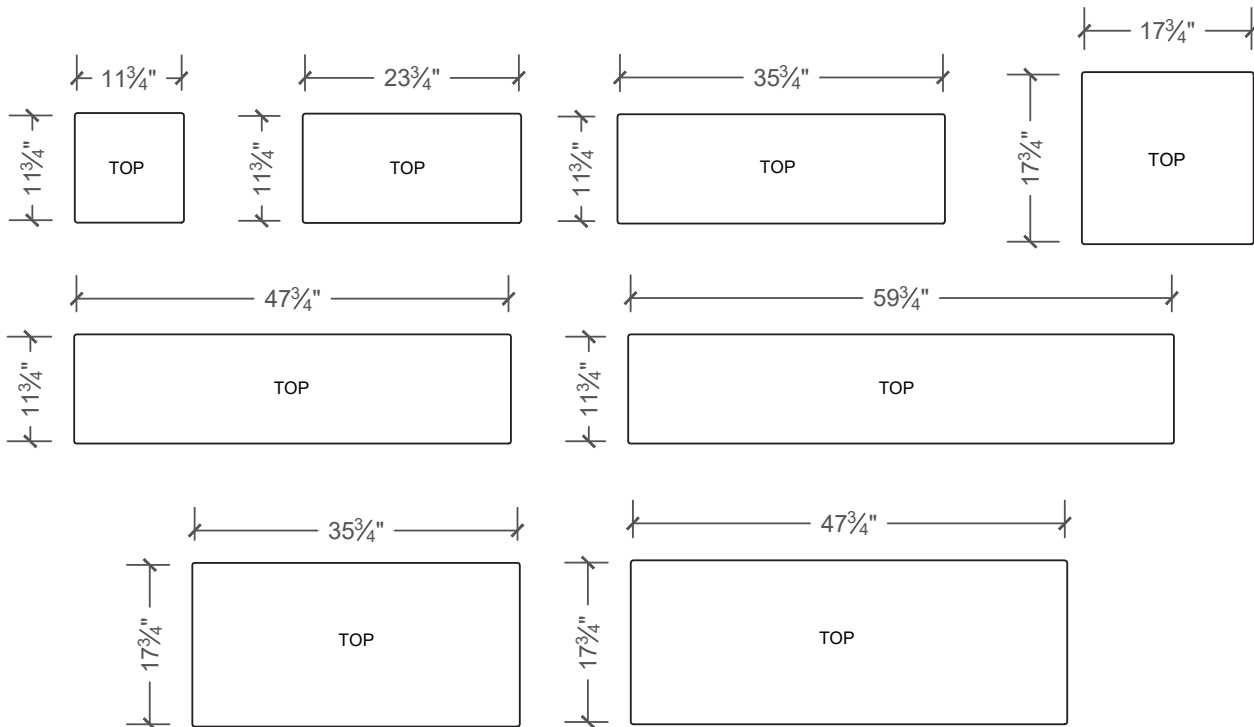
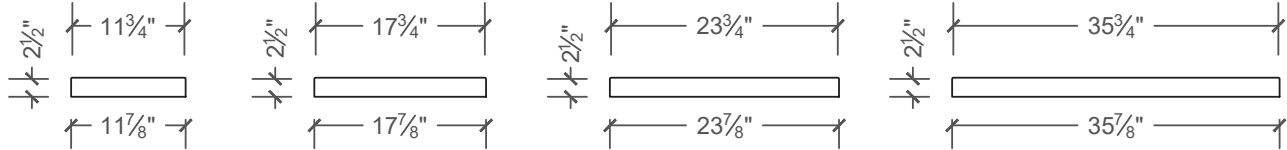
1. CALARC® PAVERS SHOWN ABOVE SHALL BE 2" THICK AS MANUFACTURED BY STEPSTONE, INC. PAVERS SHALL HAVE A MINIMUM COMPRESSIVE STRENGTH OF 5,000 P.S.I.
3. SANDBLAST FINISH - LIGHT, MEDIUM OR HEAVY.
4. CALARC® PAVERS ARE AVAILABLE IN TWELVE (12) STANDARD COLORS. CUSTOM COLORS AND SIZES MAY BE AVAILABLE UPON REQUEST.
5. ALL SIDES HAVE DRAFT. SEE SPECIFICATIONS FOR TOLERANCES.



CALARC® ROOF PAVERS -

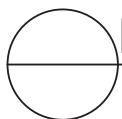
GENERAL DETAILS SCALE: N.T.S.

SIDE VIEW, TYP. (REFERENCE SHEETS 4 & 5 TOP VIEW)



NOTES:

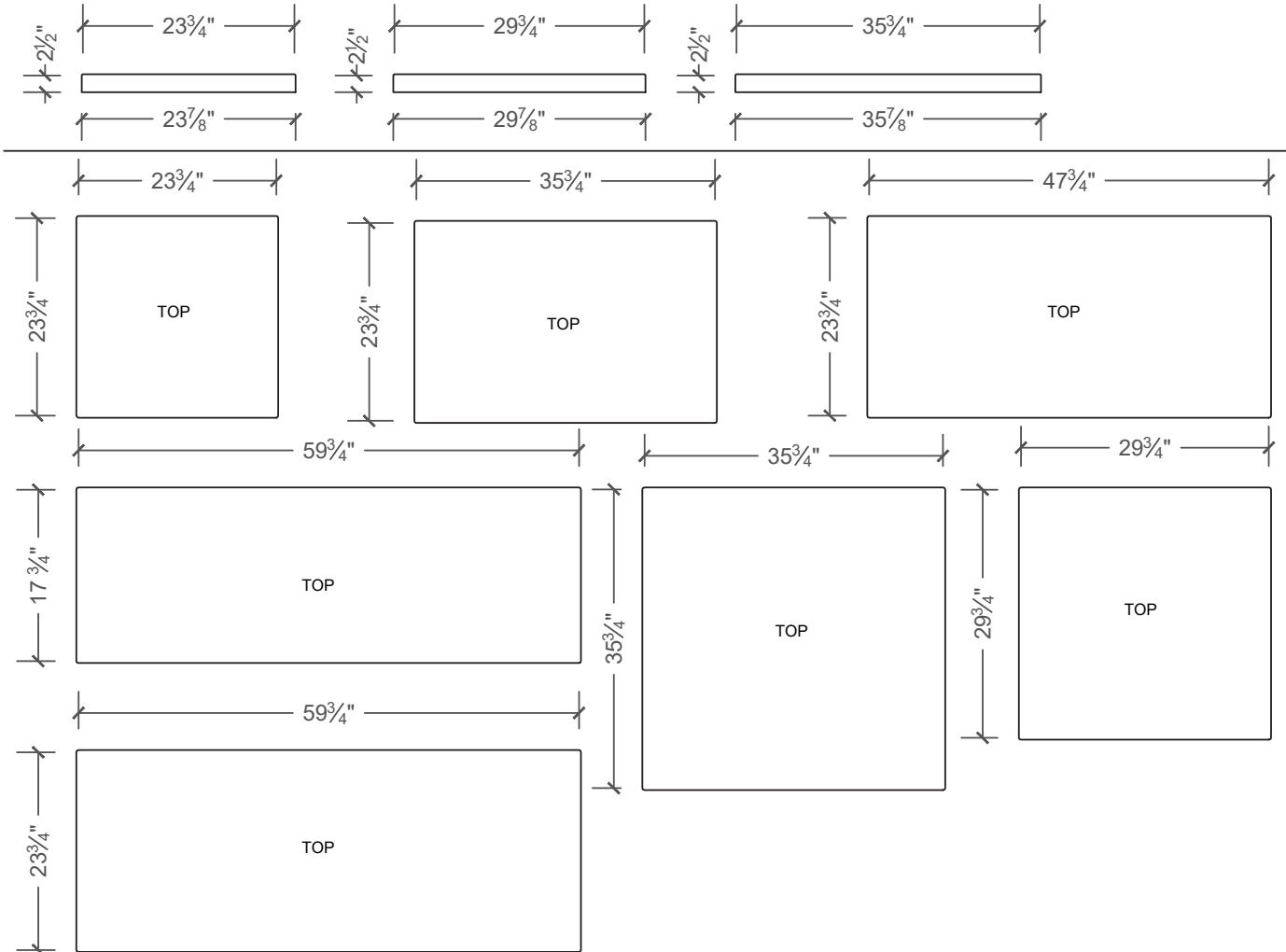
1. CALARC® PAVERS SHOWN ABOVE SHALL BE 2 1/2" THICK AS MANUFACTURED BY STEPSTONE, INC. PAVERS SHALL HAVE A MINIMUM COMPRESSIVE STRENGTH OF 5,000 P.S.I.
3. SANDBLAST FINISH - LIGHT, MEDIUM OR HEAVY.
4. CALARC® PAVERS ARE AVAILABLE IN TWELVE (12) STANDARD COLORS. CUSTOM COLORS AND SIZES MAY BE AVAILABLE UPON REQUEST.
5. ALL SIDES HAVE DRAFT. SEE SPECIFICATIONS FOR TOLERANCES.



LARGE SCALE CALARC® ROOF PAVERS - 1 of 2

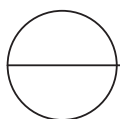
GENERAL DETAILS SCALE: N.T.S.

SIDE VIEW, TYP. (REFERENCE SHEETS 4 & 5 TOP VIEW)



NOTES:

1. CALARC® PAVERS SHOWN ABOVE SHALL BE 2 1/2" THICK AS MANUFACTURED BY STEPSTONE, INC. PAVERS SHALL HAVE A MINIMUM COMPRESSIVE STRENGTH OF 5,000 P.S.I.
3. SANDBLAST FINISH - LIGHT, MEDIUM OR HEAVY.
4. CALARC® PAVERS ARE AVAILABLE IN TWELVE (12) STANDARD COLORS. CUSTOM COLORS AND SIZES MAY BE AVAILABLE UPON REQUEST.
5. ALL SIDES HAVE DRAFT. SEE SPECIFICATIONS FOR TOLERANCES.

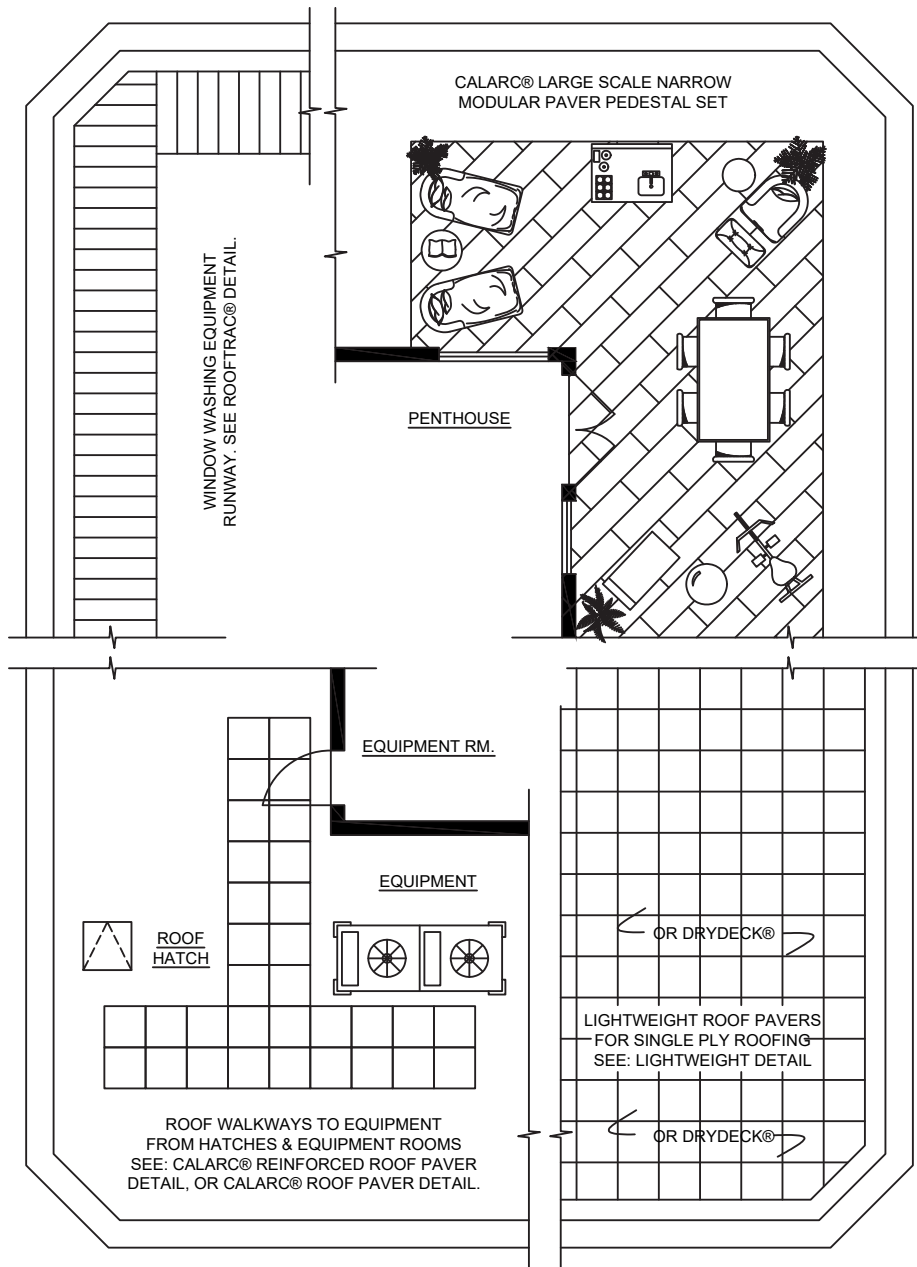


LARGE SCALE CALARC® ROOF PAVERS - 2 of 2

GENERAL DETAILS SCALE: N.T.S.

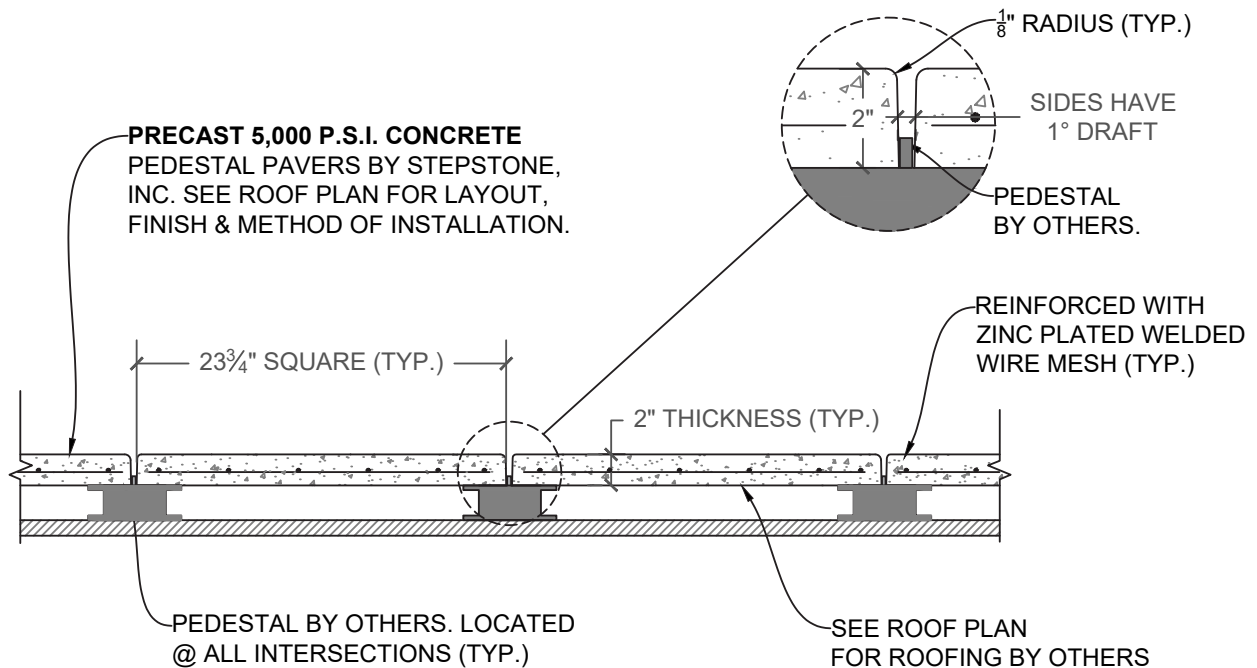
ROOF PAVER APPLICATIONS

SEE ACCOMPANYING SHEET FOR CONSTRUCTION DETAILS (NOT TO SCALE)



CALARC® PEDESTAL SET REINFORCED ROOF PAVER, (5,000 PSI - 22 LBS PSF)

SCALE: N.T.S.

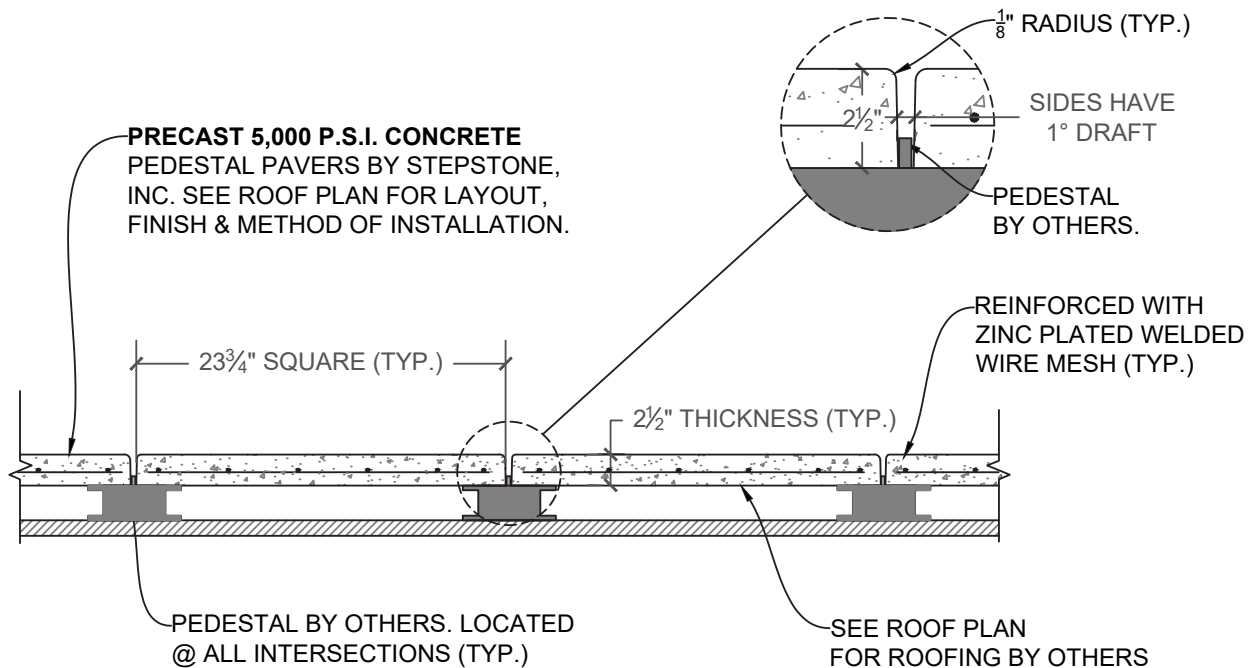


NOTES:

1. ROOF PAVERS ARE DESIGNED TO BE USED IN BOTH COMMERCIAL AND RESIDENTIAL APPLICATIONS.
2. ROOF PAVERS ARE INDIVIDUALLY HAND CAST UNITS, MANUFACTURED WITH NATURAL MATERIALS. SOME VARIATIONS IN COLOR AND TEXTURE ARE EXPECTED.
3. SANDBLASTED (LIGHT, MEDIUM, OR HEAVY), AND SLATE TEXTURES AVAILABLE.
4. ROOF SURFACE SHALL BE NON-COMPRESSIBLE AND DESIGNED TO CARRY THE LOADS THAT THE PAVERS WILL APPLY, WHEN FULLY LOADED AS PER DESIGN.
5. ALL SIDES HAVE DRAFT. SEE SPECIFICATIONS FOR TOLERANCES.

LARGE SCALE CALARC® PEDESTAL SET REINFORCED ROOF PAVER, (5,000 PSI - 28 LBS PSF)

SCALE: N.T.S.

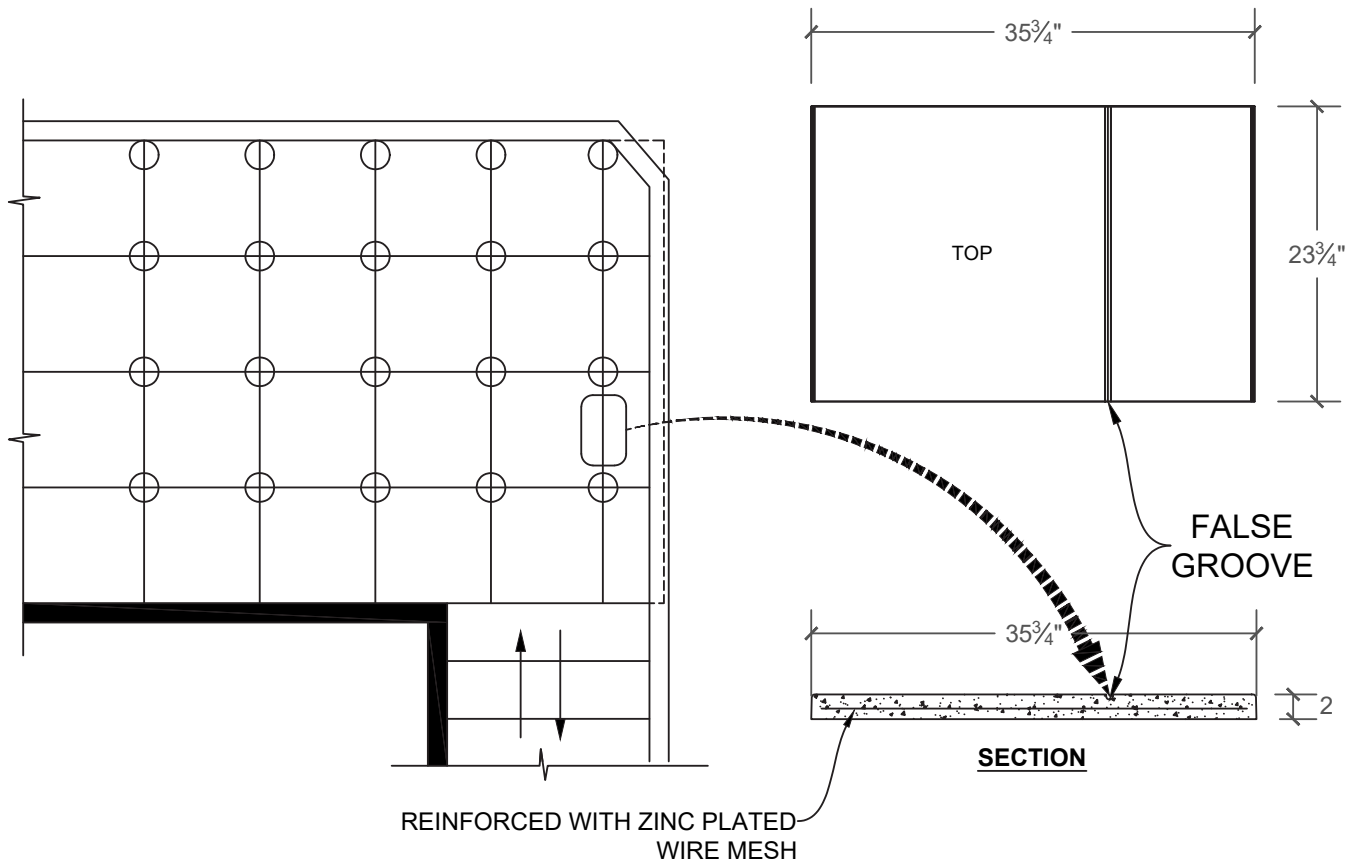


NOTES:

1. LARGE SCALE CALARC® ROOF PAVERS ARE DESIGNED TO BE USED IN BOTH COMMERCIAL AND RESIDENTIAL APPLICATIONS.
2. LARGE SCALE CALARC® ROOF PAVERS ARE INDIVIDUALLY HAND CAST UNITS, MANUFACTURED WITH NATURAL MATERIALS. SOME VARIATIONS IN COLOR AND TEXTURE ARE EXPECTED.
3. SANDBLASTED (LIGHT, MEDIUM, OR HEAVY), AND SLATE TEXTURES AVAILABLE.
4. ROOF SURFACE SHALL BE NON-COMPRESSIBLE AND DESIGNED TO CARRY THE LOADS THAT THE PAVERS WILL APPLY, WHEN FULLY LOADED AS PER DESIGN.
5. ALL SIDES HAVE DRAFT. SEE SPECIFICATIONS FOR TOLERANCES.

CALARC® FALSE JOINT PEDESTAL SET, REINFORCED ROOF PAVER, (5,000 PSI - 22 LBS PSF)

SCALE: N.T.S.



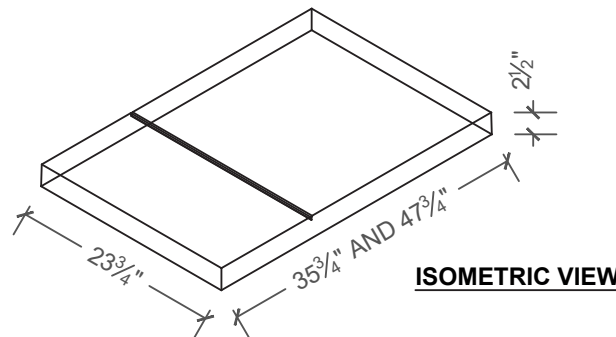
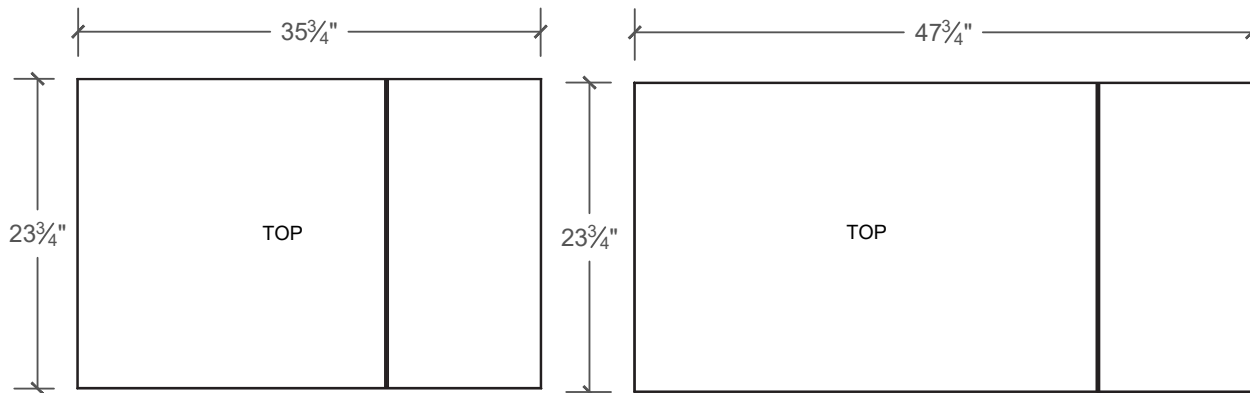
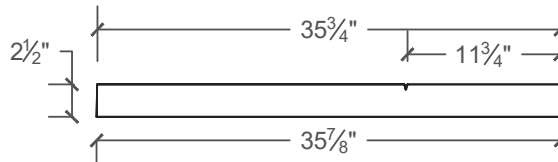
NOTES:

1. FALSE GROOVE PAVERS ARE USED IN SITUATIONS WHERE CUTTING IS REQUIRED AND THERE IS LESS THAN 12" THAT NEEDS TO BE SUPPORTED.
2. ROOF PAVERS ARE DESIGNED TO BE USED IN BOTH COMMERCIAL AND RESIDENTIAL APPLICATIONS.
3. ROOF PAVERS ARE INDIVIDUALLY HAND CAST UNITS, MANUFACTURED WITH NATURAL MATERIALS. SOME VARIATIONS IN COLOR AND TEXTURE ARE EXPECTED.
4. SANDBLASTED (LIGHT, MEDIUM, OR HEAVY), AND SLATE TEXTURES AVAILABLE.
5. ROOF SURFACE SHALL BE NON-COMPRESSIBLE AND DESIGNED TO CARRY THE LOADS THAT THE PAVERS WILL APPLY, WHEN FULLY LOADED AS PER DESIGN.
6. ALL SIDES HAVE DRAFT. SEE SPECIFICATIONS FOR TOLERANCES.

LARGE SCALE CALARC® FALSE JOINT PEDESTAL SET, REINFORCED ROOF PAVER, (5,000 PSI - 28 LBS PSF)

SCALE: N.T.S.

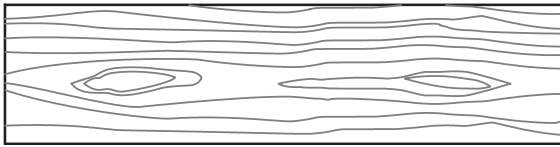
SIDE VIEW, TYP.



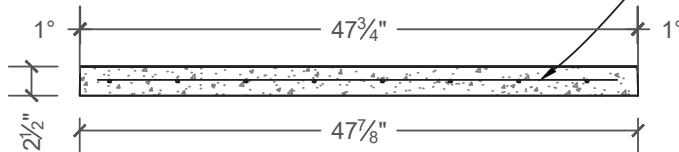
NOTES:

1. FALSE GROOVE PAVERS ARE USED IN SITUATIONS WHERE CUTTING IS REQUIRED AND THERE IS LESS THAN 12" THAT NEEDS TO BE SUPPORTED.
2. ROOF PAVERS ARE DESIGNED TO BE USED IN BOTH COMMERCIAL AND RESIDENTIAL APPLICATIONS.
3. ROOF PAVERS ARE INDIVIDUALLY HAND CAST UNITS, MANUFACTURED WITH NATURAL MATERIALS. SOME VARIATIONS IN COLOR AND TEXTURE ARE EXPECTED.
4. SANDBLASTED (LIGHT, MEDIUM, OR HEAVY), AND SLATE TEXTURES AVAILABLE.
5. ROOF SURFACE SHALL BE NON-COMPRESSIBLE AND DESIGNED TO CARRY THE LOADS THAT THE PAVERS WILL APPLY, WHEN FULLY LOADED AS PER DESIGN.
6. ALL SIDES HAVE DRAFT. SEE SPECIFICATIONS FOR TOLERANCES.

TOP VIEW

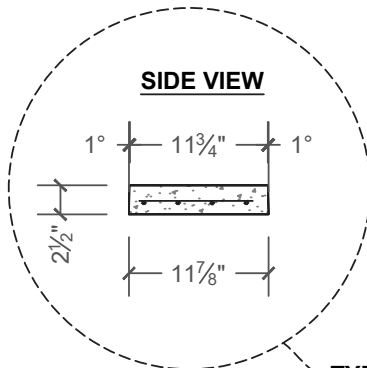


SIDE VIEW

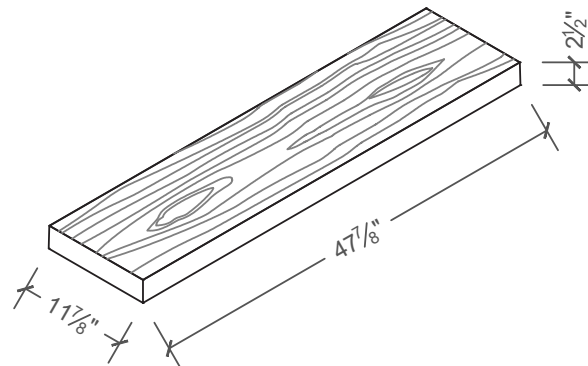


REINFORCED WITH ZINC
PLATED WELDED WIRE MESH

SIDE VIEW



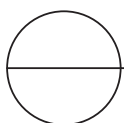
TYPICAL



ISOMETRIC VIEW

NOTES:

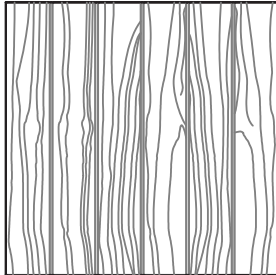
1. MADERASTONE® PAVERS SHOWN ABOVE SHALL BE 2 1/2" THICK AS MANUFACTURED BY STEPSTONE, INC. PAVERS SHALL HAVE A MINIMUM COMPRESSIVE STRENGTH OF 5,000 P.S.I.
2. THESE PAVERS CAN BE MORTAR SET OR SAND SET.
3. MADERASTONE® PAVERS ARE AVAILABLE IN TWELVE (12) STANDARD COLORS AND CUSTOM COLORS.
4. ALL SIDES HAVE DRAFT. SEE SPECIFICATIONS FOR TOLERANCES.



MADERASTONE® PEDESTAL SET PAVER, 11 3/4" X 47 3/4" X 2 1/2"

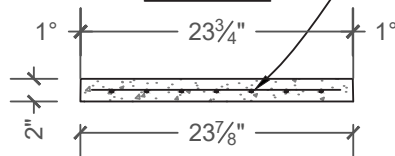
SCALE: N.T.S.

TOP VIEW

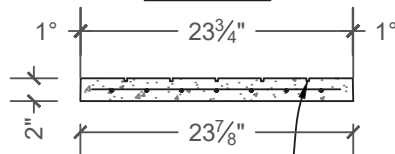


REINFORCED WITH ZINC
PLATED WELDED WIRE MESH

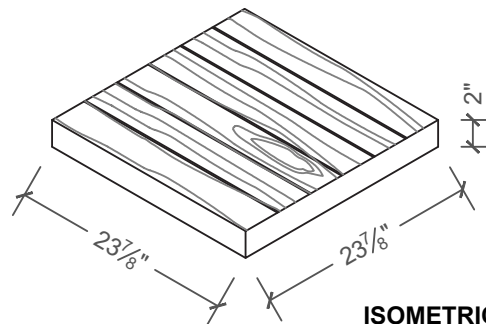
SIDE VIEW



SIDE VIEW



1/4" WIDTH, 3/16" DEPTH



ISOMETRIC VIEW

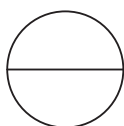
NOTES:

1. MADERASTONE® PAVERS SHOWN ABOVE SHALL BE 2" THICK AS MANUFACTURED BY STEPSTONE, INC. PAVERS SHALL HAVE A MINIMUM COMPRESSIVE STRENGTH OF 5,000 P.S.I.
2. THESE PAVERS CAN BE MORTAR SET OR SAND SET.
3. MADERASTONE® PAVERS ARE AVAILABLE IN TWELVE (12) STANDARD COLORS AND CUSTOM COLORS.
4. ALL SIDES HAVE DRAFT. SEE SPECIFICATIONS FOR TOLERANCES.

MADERASTONE® PARQUET PEDESTAL SET PAVER,

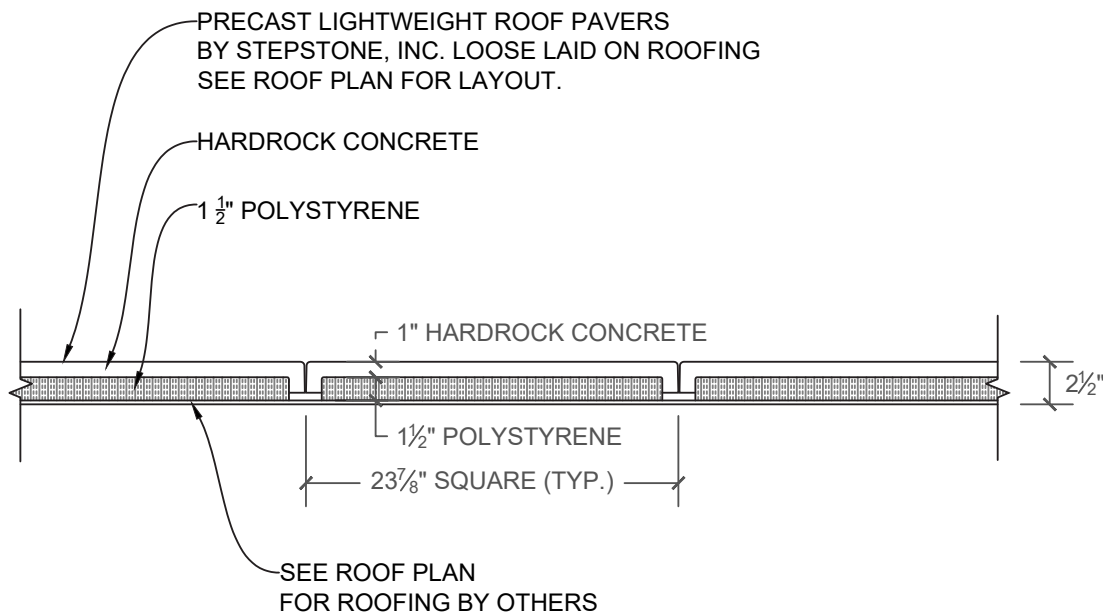
23 3/4" X 23 3/4" X 2"

SCALE: N.T.S.



LIGHTWEIGHT ROOF PAVERS, (5,000 PSI - 12 LBS PSF)

SCALE: N.T.S.

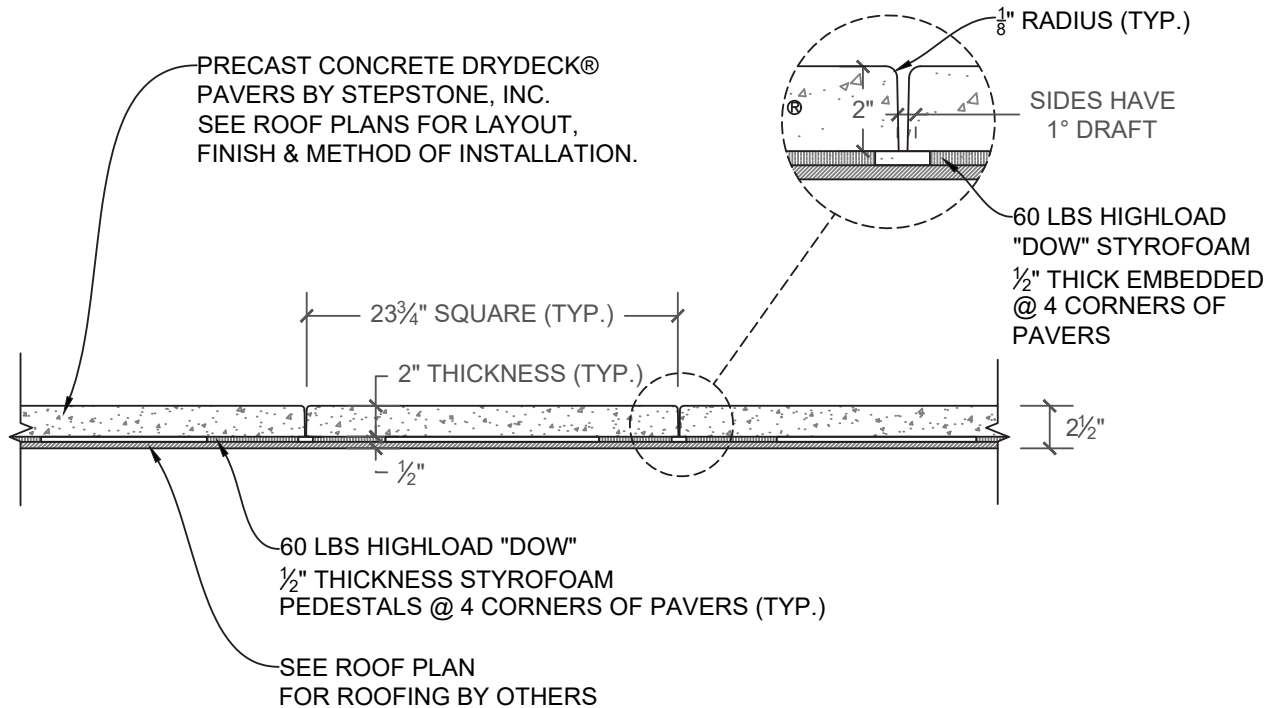


NOTES:

1. ROOF PAVERS ARE DESIGNED TO BE USED IN BOTH COMMERCIAL AND RESIDENTIAL APPLICATIONS.
2. ROOF PAVERS ARE INDIVIDUALLY HAND CAST UNITS, MANUFACTURED WITH NATURAL MATERIALS. SOME VARIATIONS IN COLOR AND TEXTURE ARE EXPECTED.
3. SANDBLASTED (LIGHT, MEDIUM, OR HEAVY), AND SLATE TEXTURES AVAILABLE.
4. ROOF SURFACE SHALL BE NON-COMPRESSIBLE AND DESIGNED TO CARRY THE LOADS THAT THE PAVERS WILL APPLY, WHEN FULLY LOADED AS PER DESIGN.
5. ALL SIDES HAVE DRAFT. SEE SPECIFICATIONS FOR TOLERANCES.

DRYDECK® ROOF PAVERS, (5,000 PSI - 22 LBS PSF)

SCALE: N.T.S.

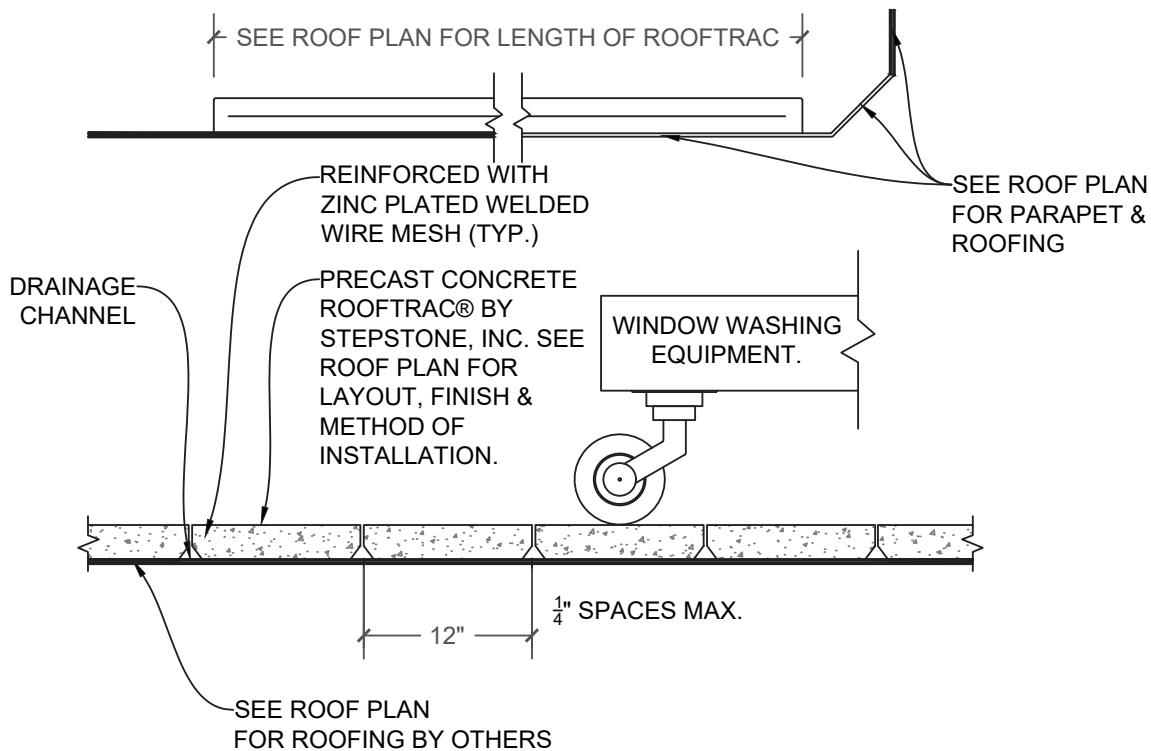


NOTES:

1. ROOF PAVERS ARE DESIGNED TO BE USED IN BOTH COMMERCIAL AND RESIDENTIAL APPLICATIONS.
2. ROOF PAVERS ARE INDIVIDUALLY HAND CAST UNITS, MANUFACTURED WITH NATURAL MATERIALS. SOME VARIATIONS IN COLOR AND TEXTURE ARE EXPECTED.
3. SANDBLASTED (LIGHT, MEDIUM, OR HEAVY), AND SLATE TEXTURES AVAILABLE.
4. ROOF SURFACE SHALL BE NON-COMPRESSIBLE AND DESIGNED TO CARRY THE LOADS THAT THE PAVERS WILL APPLY, WHEN FULLY LOADED AS PER DESIGN.
5. ALL SIDES HAVE DRAFT. SEE SPECIFICATIONS FOR TOLERANCES.

ROOFTRAC® PERIMETER PAVING TRACK, (5,000 PSI - 28 LBS PSF)

SCALE: N.T.S.



NOTES:

1. ROOF PAVERS ARE DESIGNED TO BE USED IN BOTH COMMERCIAL AND RESIDENTIAL APPLICATIONS.
2. ROOF PAVERS ARE INDIVIDUALLY HAND CAST UNITS, MANUFACTURED WITH NATURAL MATERIALS. SOME VARIATIONS IN COLOR AND TEXTURE ARE EXPECTED.
3. SANDBLASTED (LIGHT, MEDIUM, OR HEAVY), AND SLATE TEXTURES AVAILABLE.
4. ROOF SURFACE SHALL BE NON-COMPRESSIBLE AND DESIGNED TO CARRY THE LOADS THAT THE PAVERS WILL APPLY, WHEN FULLY LOADED AS PER DESIGN.
5. ALL SIDES HAVE DRAFT. SEE SPECIFICATIONS FOR TOLERANCES.