

FILE: STP-0.1-09  
REV: 01.11.06

LA LANDING PLANK "A"  
LB LANDING PLANK "B"  
T TREAD  
SS STARTER STEP

STRINGER NOTCH DETAIL (N.T.S.)

ALLOW 1/8" TOLERANCE BETWEEN LANDING PLANKS.

SCALE: 1/2"=1'-0"  
FILE: STP-0.1-09

NOT USED

FILE: STP-0.1-12  
REV: 01.11.06

LA LANDING PLANK "A"  
LB LANDING PLANK "B"  
LC LANDING PLANK "C"  
T TREAD  
SS STARTER STEP

STRINGER NOTCH DETAIL (N.T.S.)

SCALE: 1/2"=1'-0"  
FILE: STP-0.1-12

NOT USED

FILE: STP-0.1-10  
REV: 07.19.07

A CLASSIC PROFILE  
B CLASSIC PROFILE WITH INTEGRAL AGGREGATE WARNING DETAIL  
C CLASSIC PROFILE STARTER STEP  
D CLASSIC PROFILE STARTER STEP WITH INTEGRAL AGGREGATE WARNING DETAIL

SCALE: 1-1/2"=1'-0"  
FILE: STP-0.1-05

NOT USED

FILE: STP-0.1-07  
REV: 01.11.06

A BULLNOSE PROFILE  
B BULLNOSE PROFILE WITH INTEGRAL AGGREGATE WARNING DETAIL  
C WEDGE PROFILE  
D WEDGE PROFILE WITH INTEGRAL AGGREGATE WARNING DETAIL

SCALE: 1-1/2"=1'-0"  
FILE: STP-0.1-07

NOT USED

FILE: STP-0.1-09  
REV: 01.11.06

LA LANDING PLANK "A"  
LB LANDING PLANK "B"  
T TREAD  
SS STARTER STEP

STRINGER NOTCH DETAIL (N.T.S.)

ALLOW 1/8" TOLERANCE BETWEEN LANDING PLANKS.

SCALE: 1/2"=1'-0"  
FILE: STP-0.1-09

NOT USED

FILE: STP-0.1-06  
REV: 01.11.06

A MODERN PROFILE  
B MODERN PROFILE WITH INTEGRAL AGGREGATE WARNING DETAIL  
C MODERN PROFILE STARTER STEP  
D MODERN PROFILE STARTER STEP WITH INTEGRAL AGGREGATE WARNING DETAIL

SCALE: 1-1/2"=1'-0"  
FILE: STP-0.1-06

NOT USED

FILE: STP-0.1-07  
REV: 01.11.06

A BULLNOSE PROFILE  
B BULLNOSE PROFILE WITH INTEGRAL AGGREGATE WARNING DETAIL  
C WEDGE PROFILE  
D WEDGE PROFILE WITH INTEGRAL AGGREGATE WARNING DETAIL

SCALE: 1-1/2"=1'-0"  
FILE: STP-0.1-07

NOT USED

FILE: STP-0.1-08  
REV: 01.11.06

LB LANDING PLANK "B"  
LA LANDING PLANK "A"  
SS STARTER STEP

MATCH TREAD WIDTH

ALLOW 1/8" TOLERANCE BETWEEN LANDING PLANKS.

SCALE: 1/2"=1'-0"  
FILE: STP-0.1-08

NOT USED

FILE: STP-0.1-09  
REV: 01.11.06

LA LANDING PLANK "A"  
LB LANDING PLANK "B"  
T TREAD  
SS STARTER STEP

STRINGER NOTCH DETAIL (N.T.S.)

ALLOW 1/8" TOLERANCE BETWEEN LANDING PLANKS.

SCALE: 1/2"=1'-0"  
FILE: STP-0.1-09

NOT USED

FILE: STP-0.1-06  
REV: 01.11.06

A MODERN PROFILE  
B MODERN PROFILE WITH INTEGRAL AGGREGATE WARNING DETAIL  
C MODERN PROFILE STARTER STEP  
D MODERN PROFILE STARTER STEP WITH INTEGRAL AGGREGATE WARNING DETAIL

SCALE: 1-1/2"=1'-0"  
FILE: STP-0.1-06

NOT USED

FILE: STP-0.1-07  
REV: 01.11.06

A BULLNOSE PROFILE  
B BULLNOSE PROFILE WITH INTEGRAL AGGREGATE WARNING DETAIL  
C WEDGE PROFILE  
D WEDGE PROFILE WITH INTEGRAL AGGREGATE WARNING DETAIL

SCALE: 1-1/2"=1'-0"  
FILE: STP-0.1-07

NOT USED

FILE: STP-0.1-08  
REV: 01.11.06

LB LANDING PLANK "B"  
LA LANDING PLANK "A"  
SS STARTER STEP

MATCH TREAD WIDTH

ALLOW 1/8" TOLERANCE BETWEEN LANDING PLANKS.

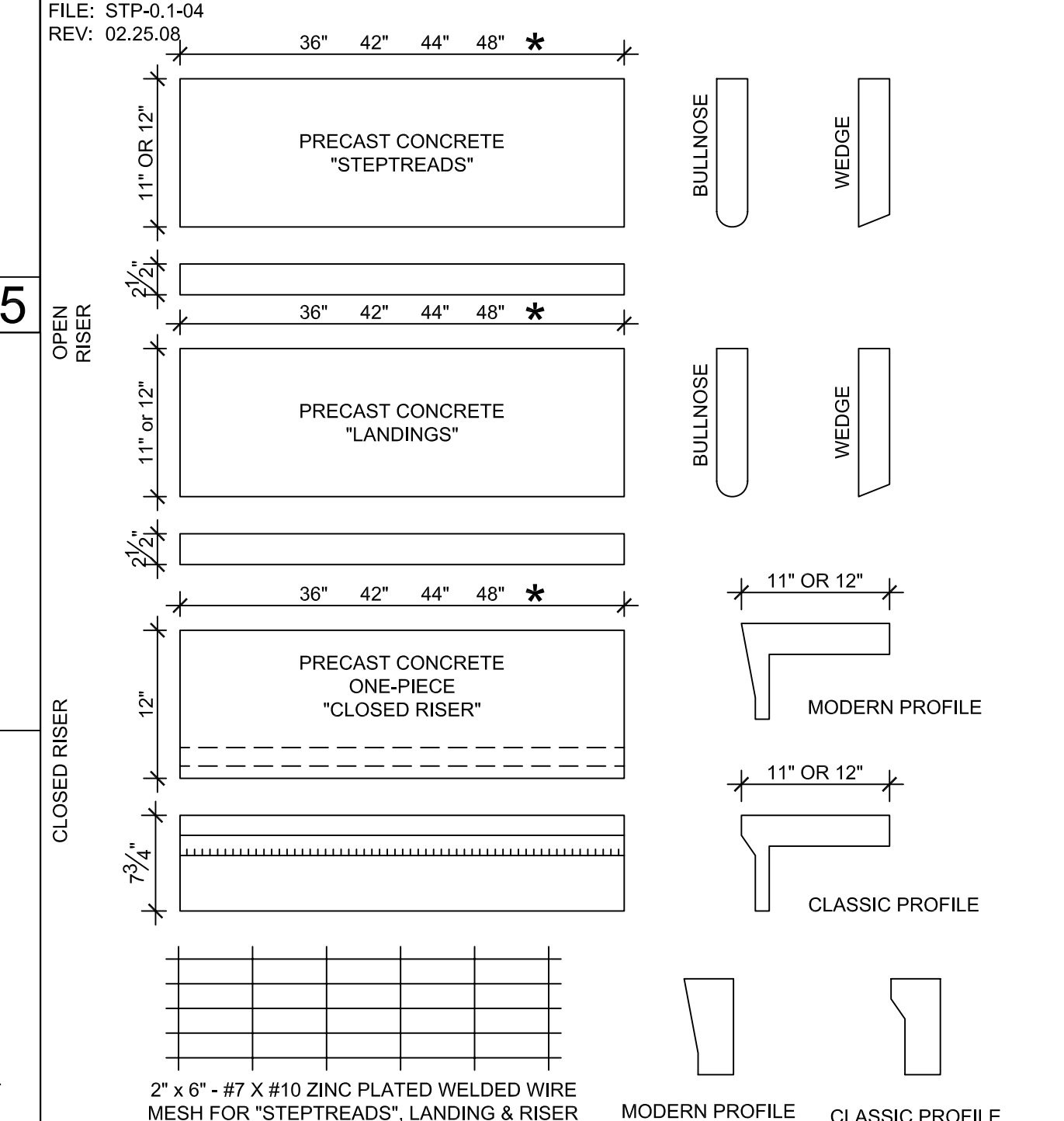
SCALE: 1/2"=1'-0"  
FILE: STP-0.1-08

NOT USED

STP-0.1	GENERAL INFORMATION
STP-1.0	LAYOUT FOR WOOD STRINGERS
STP-2.0	LAYOUT FOR STEEL STRINGERS
STP-3.0	WOOD CONNECTION DETAILS
STP-4.0	STEEL CONNECTION DETAILS
STP-4.1	STEEL CONNECTION DETAILS

**SHEET INDEX**

FILE: STP-0.1-04  
REV: 02.25.08



SCALE: N.T.S.  
FILE: STP-0.1-01

1

2

3

4

5

6

7

8

9

10

11

12

13

14

15

16

17

18

19

20

21

22

23

24

25

26

27

28

29

30

- THIS SHEET IS INTENDED TO BE THE STANDARD PLAN ONLY FOR "STEPSTONE" PRECAST CONCRETE TREAD AND RISER SYSTEM. THE PURPOSE OF THIS STANDARD PLAN IS TO SHOW ONLY THE TREADS AND RISERS AND THEIR DIRECT CONNECTIONS TO THE SUPPORTING STRUCTURE. THIS STANDARD PLAN DOES NOT COVER THE DESIGN OR INSTALLATION OF ANY SUPPORTING STRUCTURE, HANDRAILS OR GUARDRAILS. IT DOES NOT COVER ACCESS REQUIREMENTS.
- ONLY ITEMS NOTED BY "STEPSTONE" SHALL BE FURNISHED BY "STEPSTONE". SUCH ITEMS SHALL BE INSTALLED BY OTHERS. "STEPSTONE" SHALL NOT BE RESPONSIBLE FOR THE QUALITY OF THE INSTALLATION.
- ALL ITEMS NOTED AS "NOT BY STEPSTONE" SHALL BE FURNISHED AND INSTALLED BY OTHERS. "STEPSTONE" SHALL NOT BE RESPONSIBLE FOR THE DESIGN AND INSTALLATION OF SUCH ITEMS.
- ALL WELDS NOTED AS "NOT BY STEPSTONE" ARE THE MINIMUM SIZE AND LENGTH REQUIRED BY "STEPSTONE" AND SHALL BE MADE BY OTHERS. "STEPSTONE" SHALL NOT BE RESPONSIBLE FOR THE INSPECTION OR QUALITY OF SUCH WELDS.
- ALL ITEMS HAVE STANDARD MANUFACTURING TOLERANCES.
- ALLOW 1/8" - 3/16" CLEARANCE BETWEEN TREADS & STRINGERS ON EACH SIDE.
- ALL CONCRETE SHALL BE 4,000 P.S.I. (TYPICAL)

\* CUSTOM LENGTHS ARE AVAILABLE.

**GENERAL DETAILS**

SCALE: N.T.S.  
FILE: STP-0.1-04

4

PRECAST CONCRETE TREADS, LANDINGS, AND BALCONIES SHOWN ON PLANS SHALL BE FROM THE "STEPSTAIR" SYSTEM BY "STEPSTONE, INC." OF GARDENA, CA. FOR STEEL OR WOOD CONSTRUCTION, THE MANUFACTURER IS TO SUPPLY ALL PRECAST CONCRETE PARTS WITH EACH "STEPSTAIR" AND FEATURING EITHER A RECESSED POCKET TO ACCEPT THE HIDDEN SUPPORT ANGLE OR A BOTTOM WELD PLATE. ALL REINFORCING AND CONNECTIONS WILL BE ZINC PLATED.

# STEPSTONE, INC.

17025 SOUTH MAIN STREET, GARDENA, CA. 90248  
1-800-572-9029  
WWW.STEPSTONEINC.COM

REV	BY	DESCRIPTION	DATE
1			
2			
3			

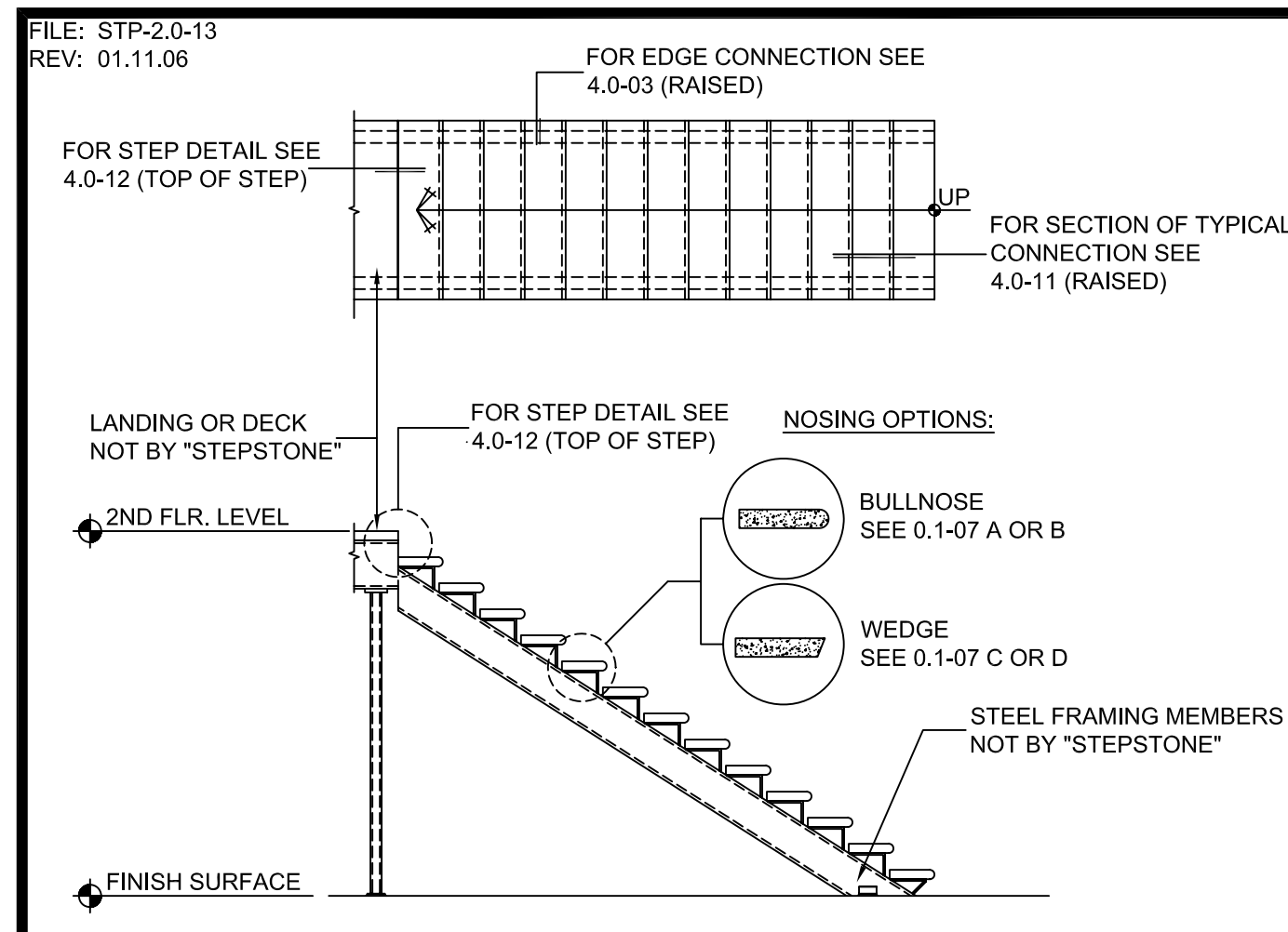
**GENERAL INFORMATION**

REV: 01.11.06

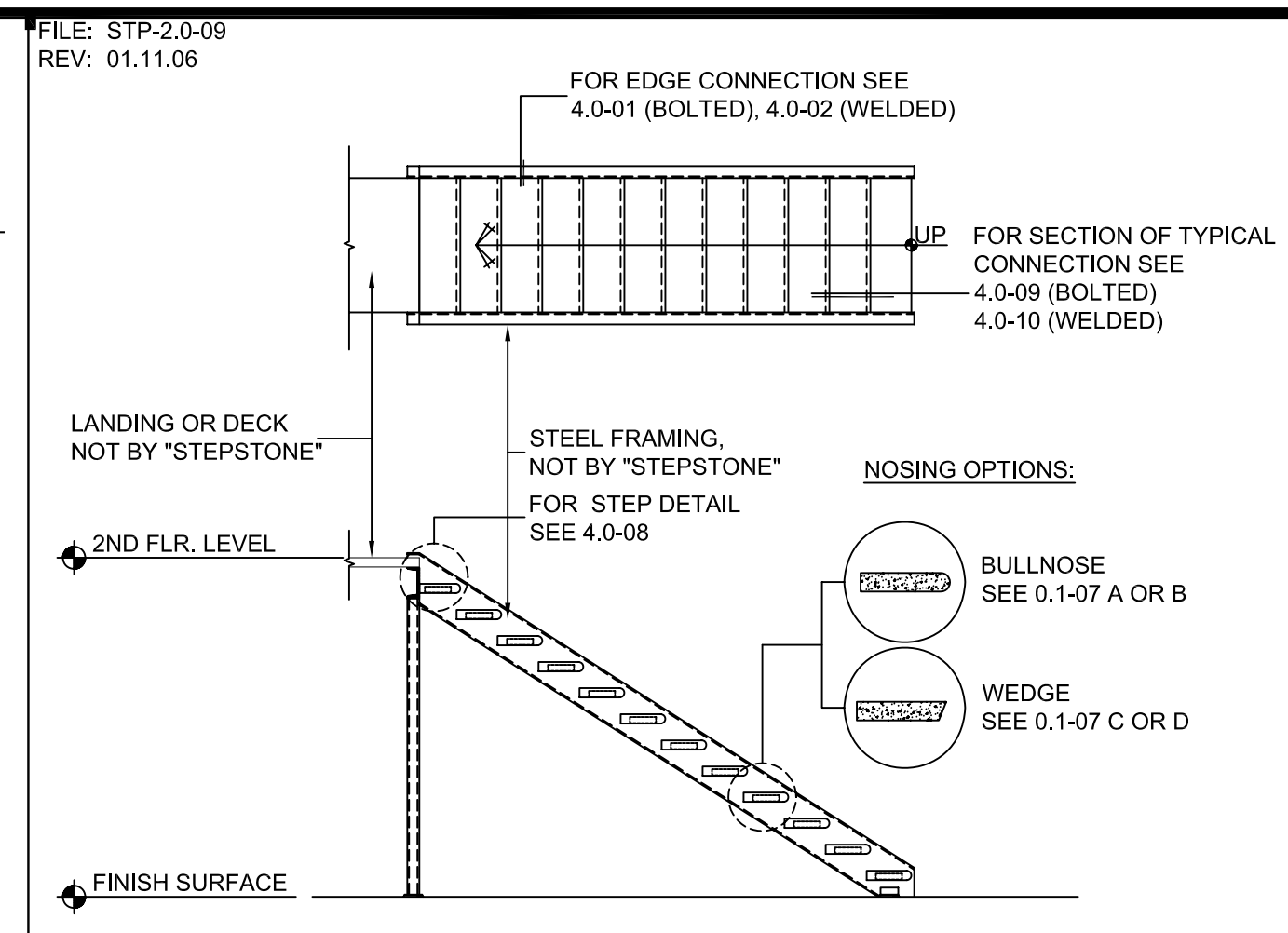
**SHEET NUMBER**

## STP-0.1

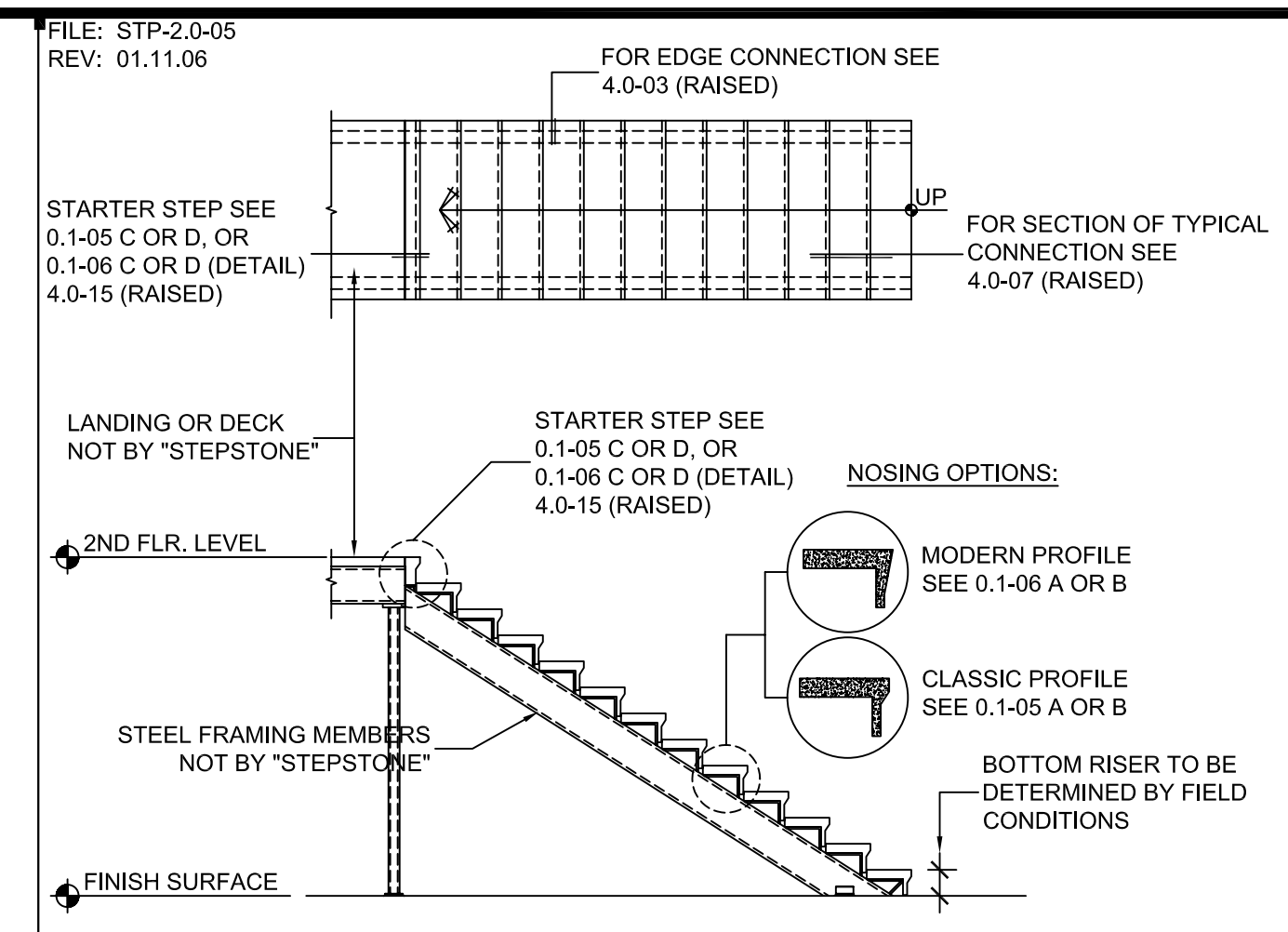
Stepstone: Stairtread



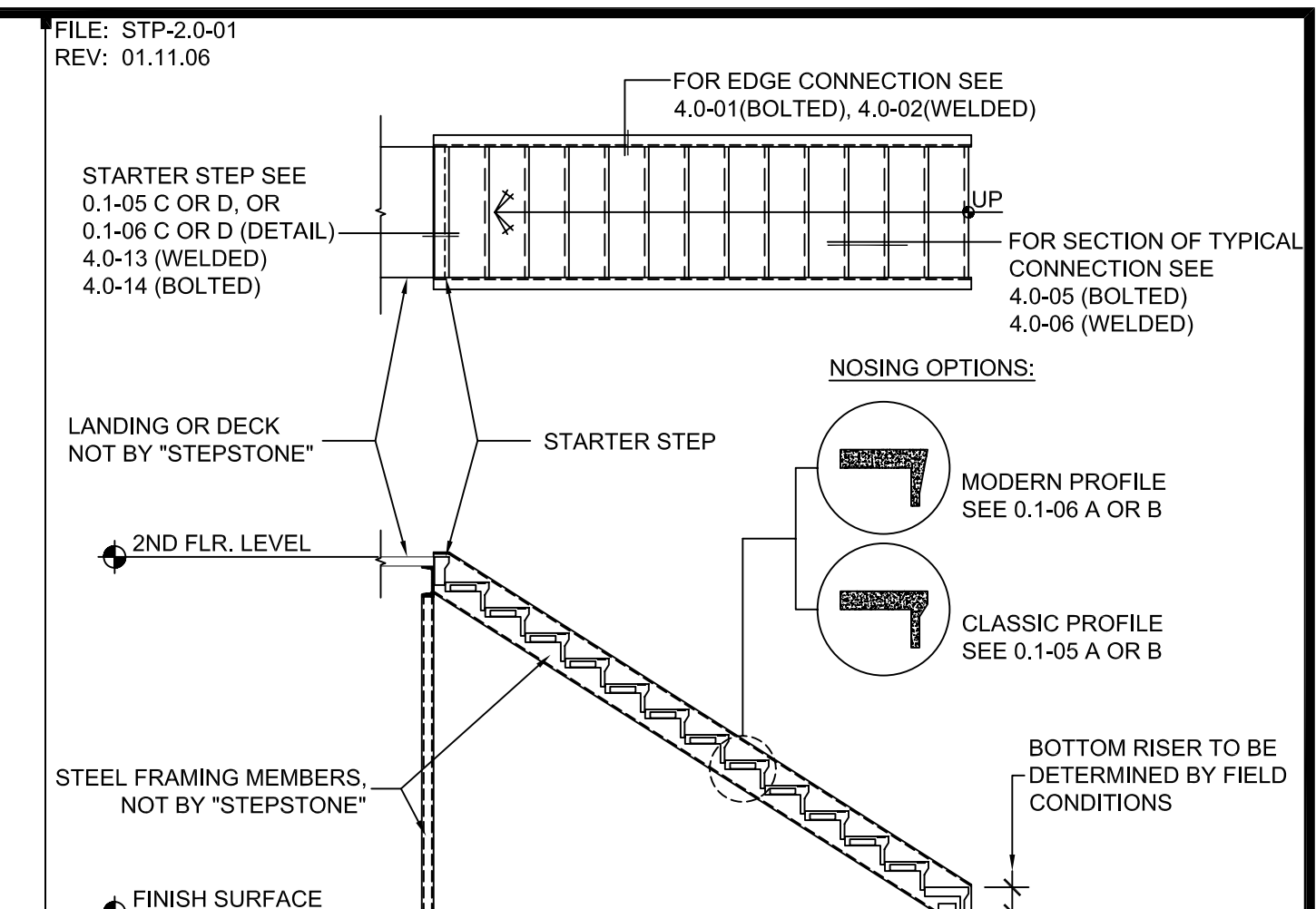
STRAIGHT STAIRS - OPEN RISER, ABOVE STEEL STRINGERS  
SCALE: 1/4"=1'-0"  
FILE: STP-2.0-13



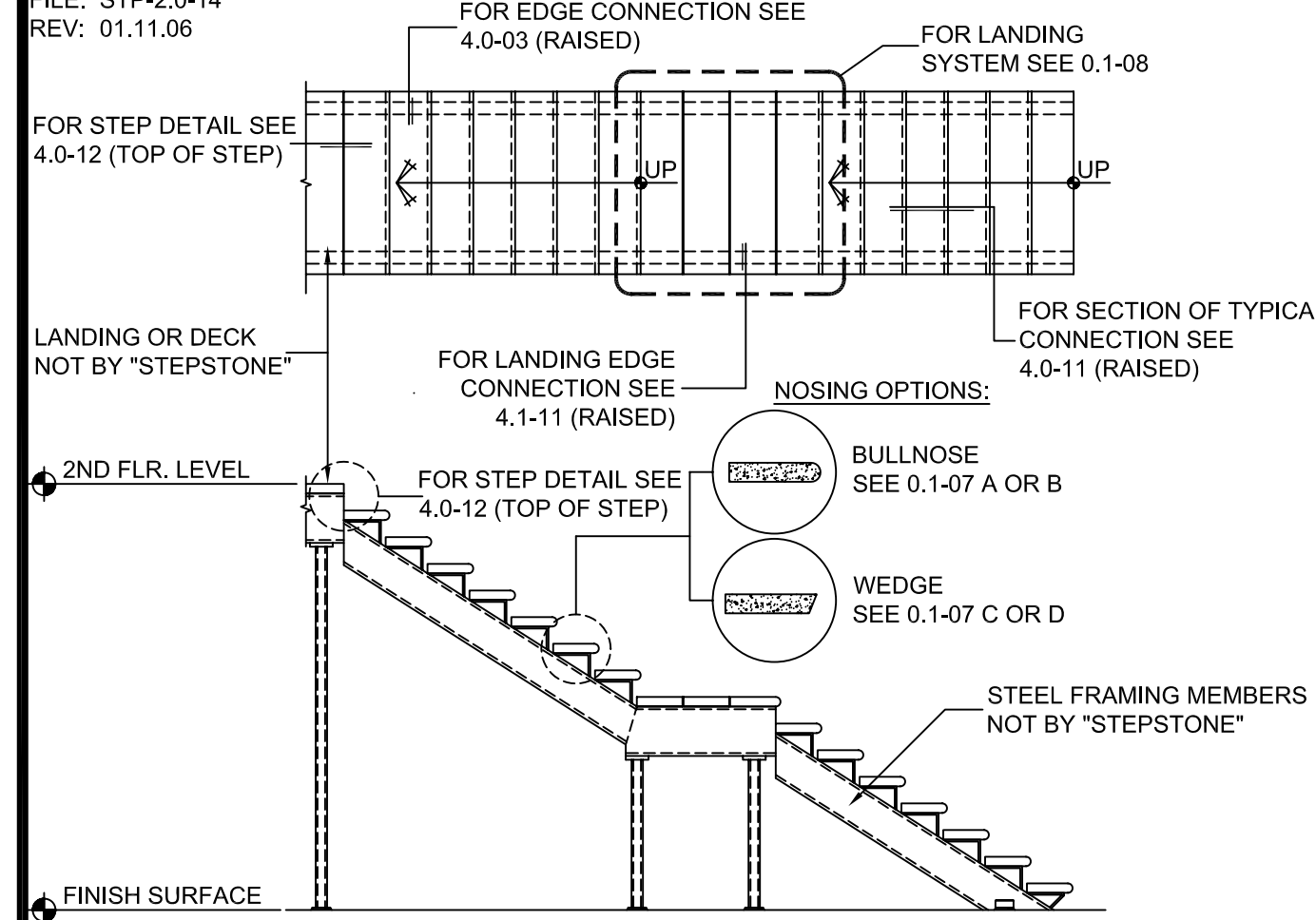
STRAIGHT STAIRS - OPEN RISER, BETWEEN STEEL STRINGERS  
SCALE: 1/4"=1'-0"  
FILE: STP-2.0-09



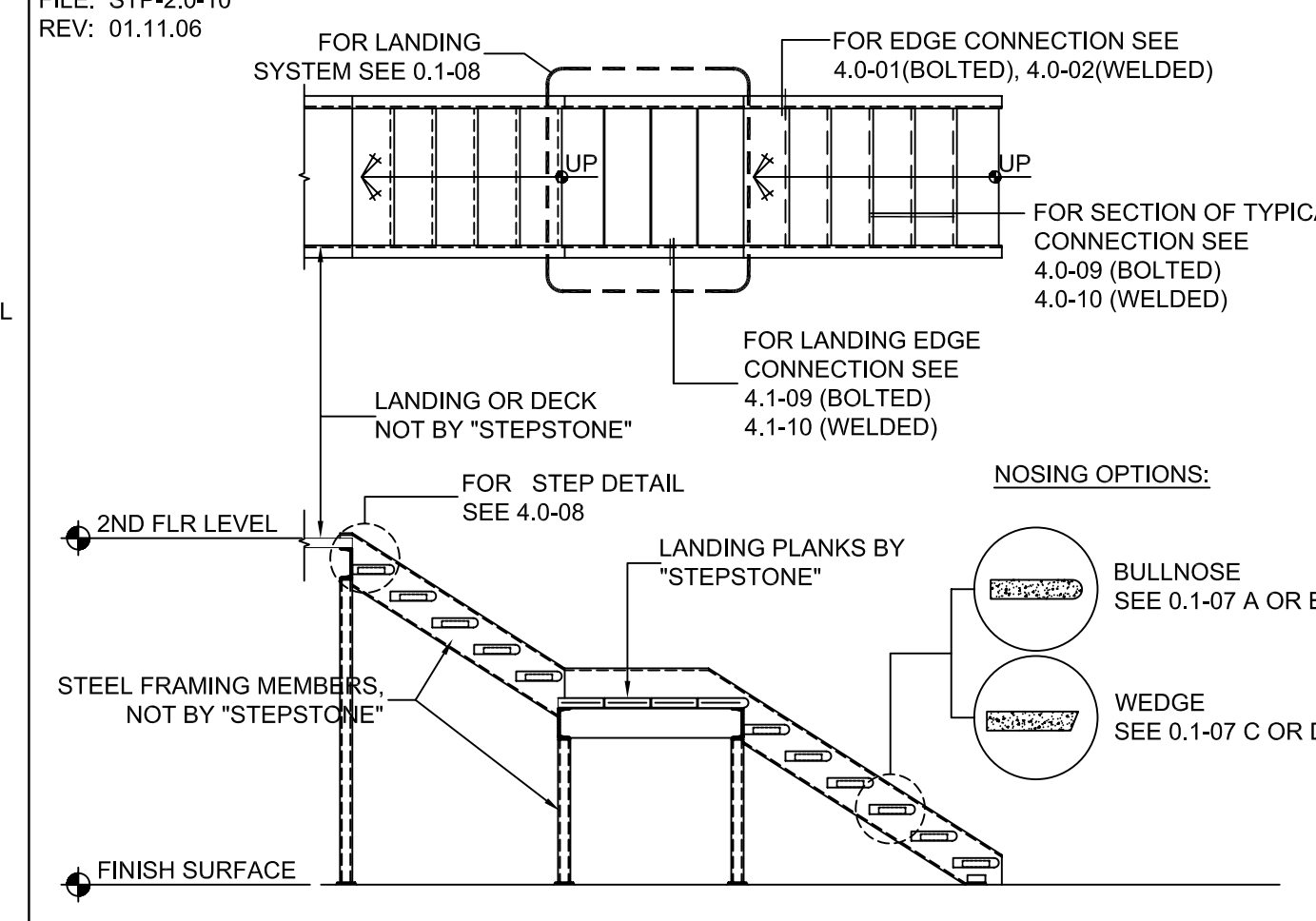
STRAIGHT STAIRS - CLOSED RISER, ABOVE STEEL STRINGERS  
SCALE: 1/4"=1'-0"  
FILE: STP-2.0-05



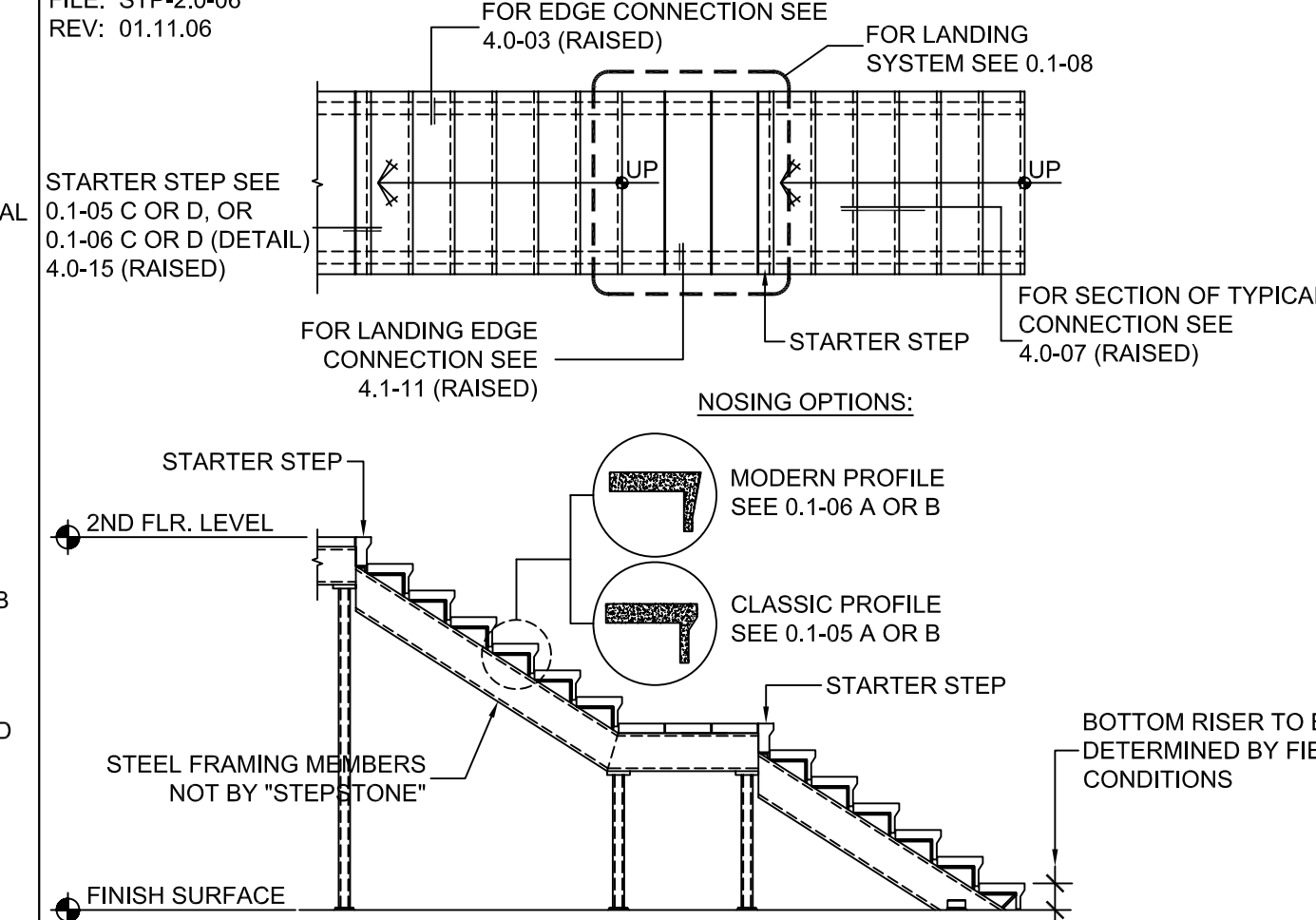
STRAIGHT STAIRS - CLOSED RISER, BETWEEN STEEL STRINGERS  
SCALE: 1/4"=1'-0"  
FILE: STP-2.0-01



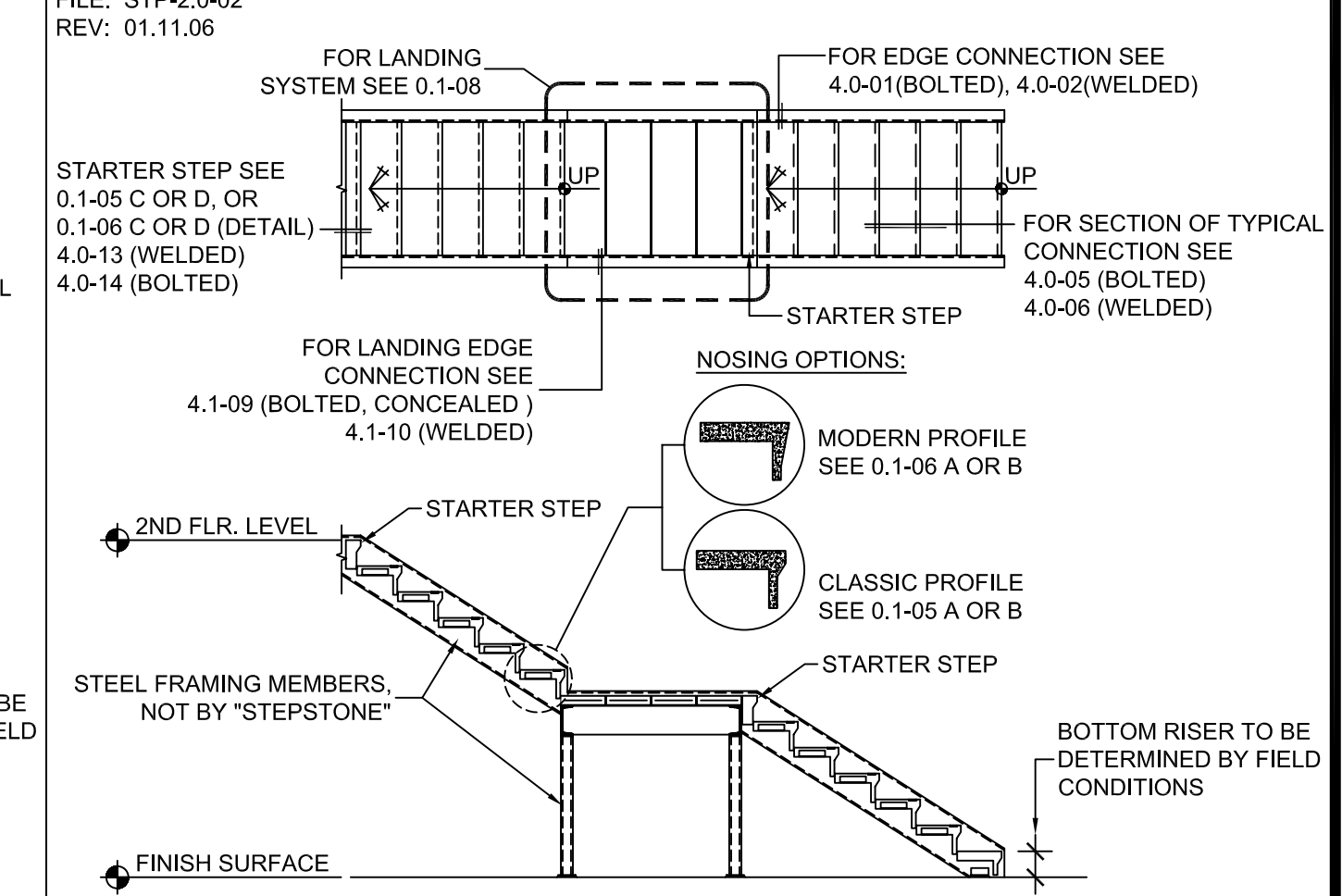
STRAIGHT STAIRS WITH INTERMEDIATE LANDING - OPEN RISER, ABOVE STEEL STRINGERS  
SCALE: 1/4"=1'-0"  
FILE: STP-2.0-14



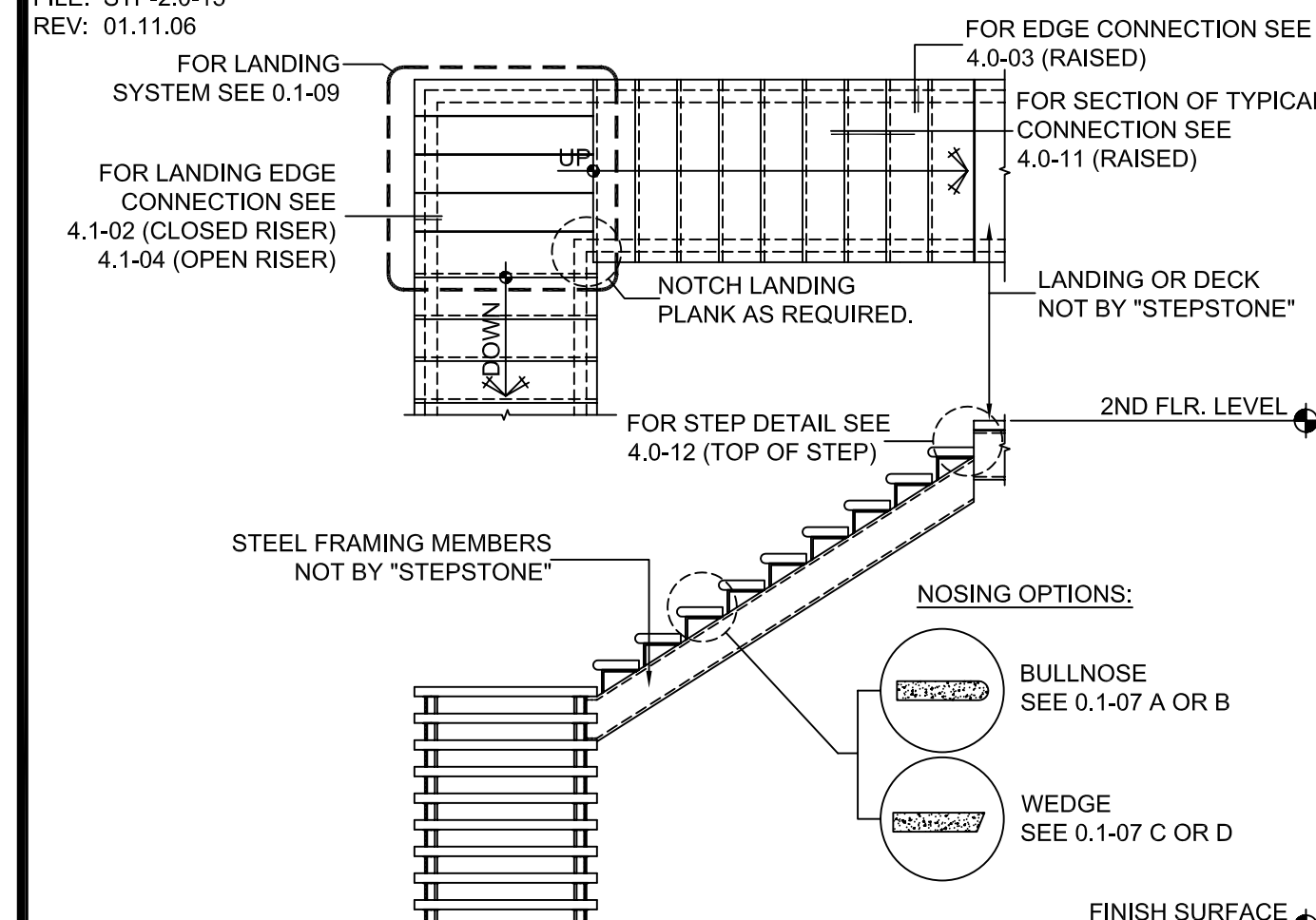
STRAIGHT STAIRS WITH INTERMEDIATE LANDING - OPEN RISER, BETWEEN STEEL STRINGERS  
SCALE: 1/4"=1'-0"  
FILE: STP-2.0-10



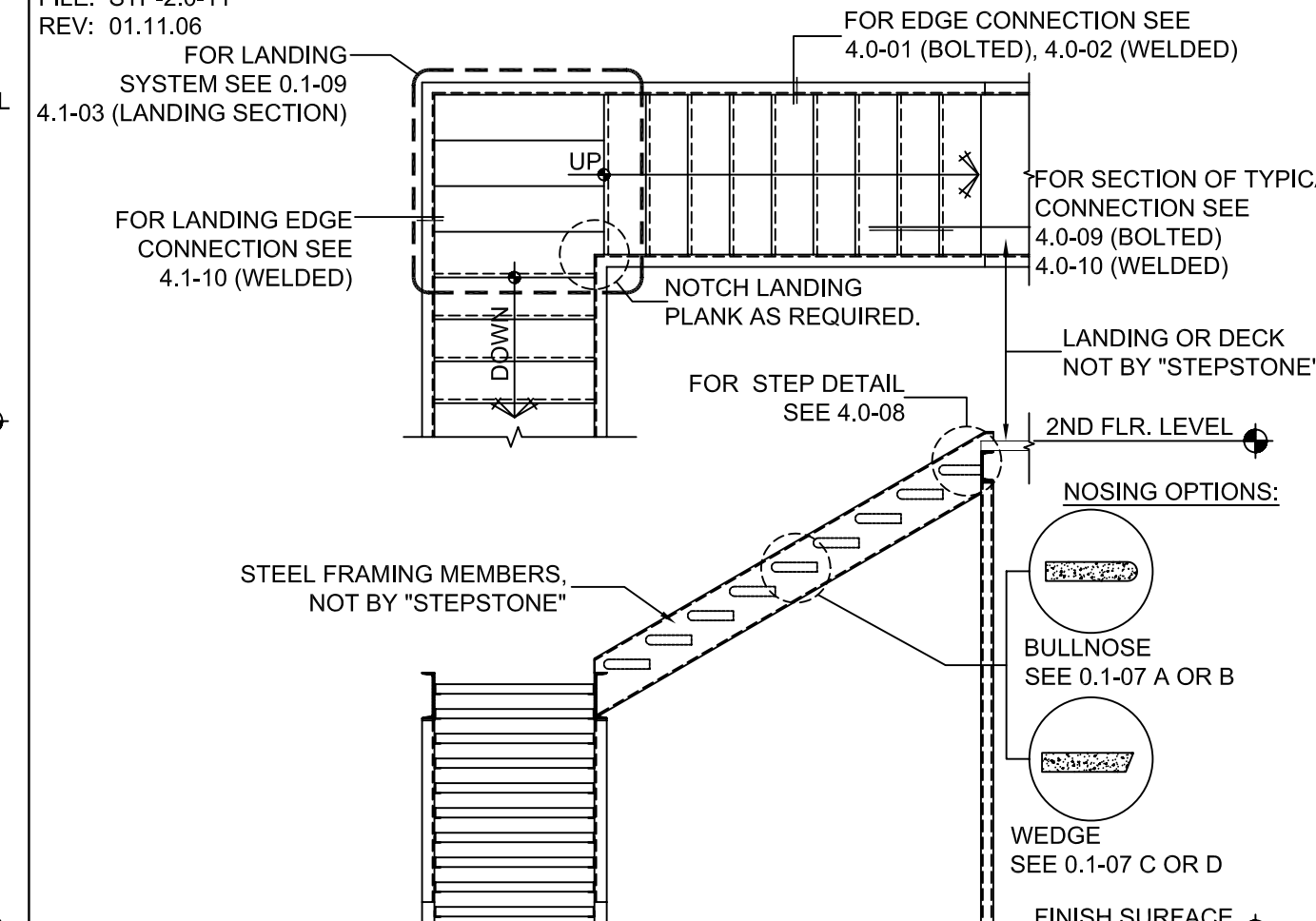
STRAIGHT STAIRS WITH INTERMEDIATE LANDING - CLOSED RISER, ABOVE STEEL STRINGERS  
SCALE: 1/4"=1'-0"  
FILE: STP-2.0-06



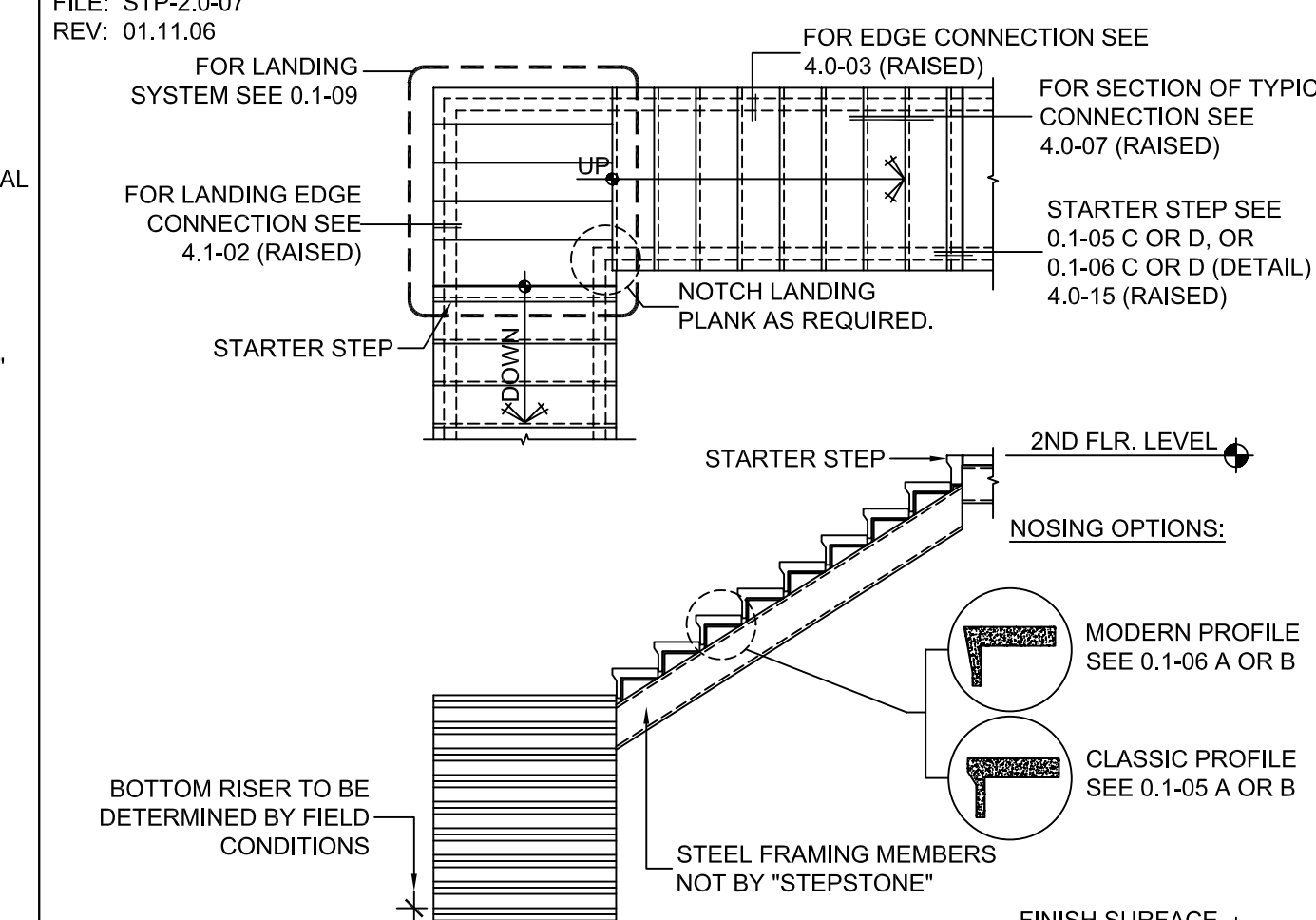
STRAIGHT STAIRS WITH INTERMEDIATE LANDING - CLOSED RISER, BETWEEN STEEL STRINGERS  
SCALE: 1/4"=1'-0"  
FILE: STP-2.0-02



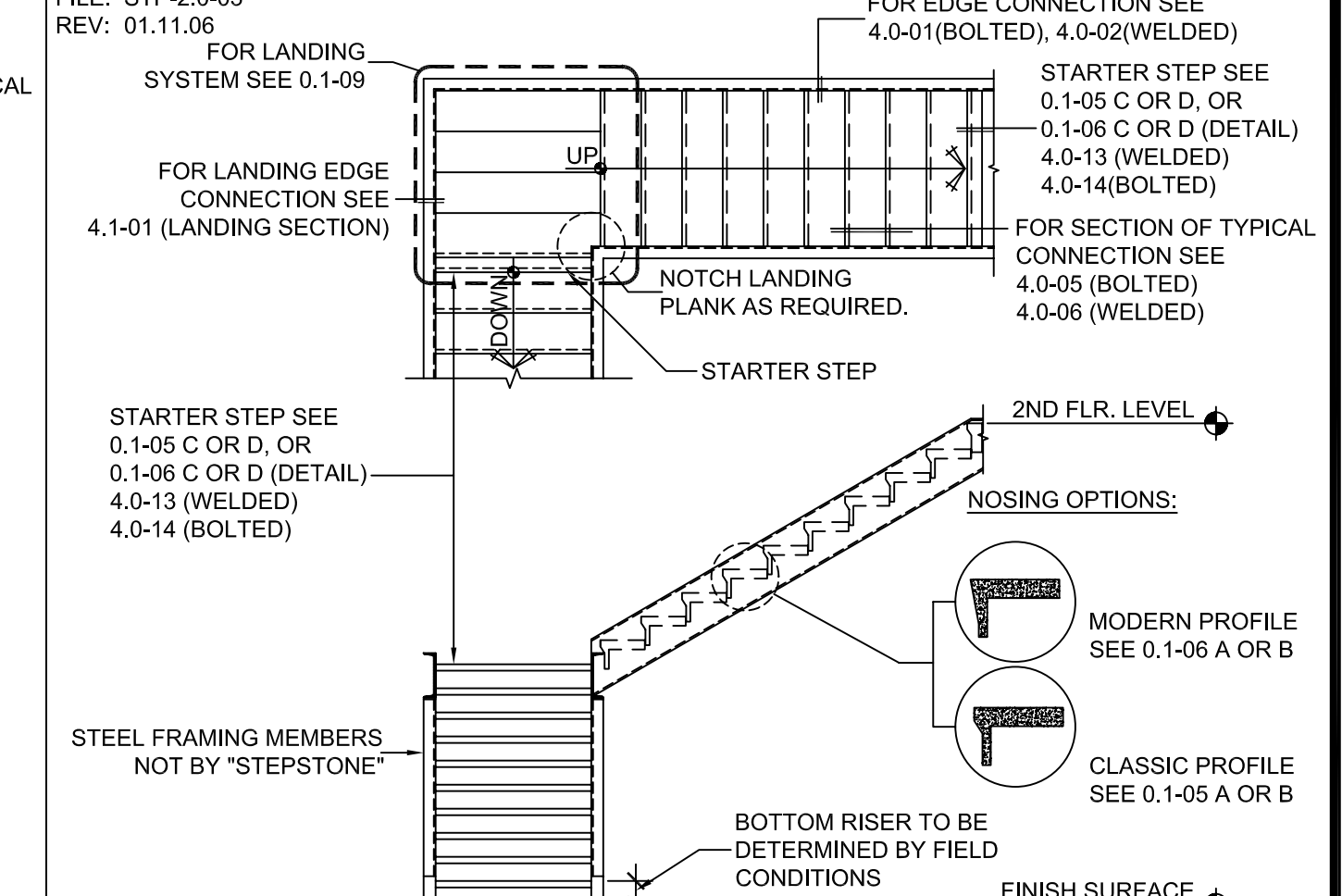
90° LANDING - OPEN RISER, ABOVE STEEL STRINGERS  
SCALE: 1/4"=1'-0"  
FILE: STP-2.0-15



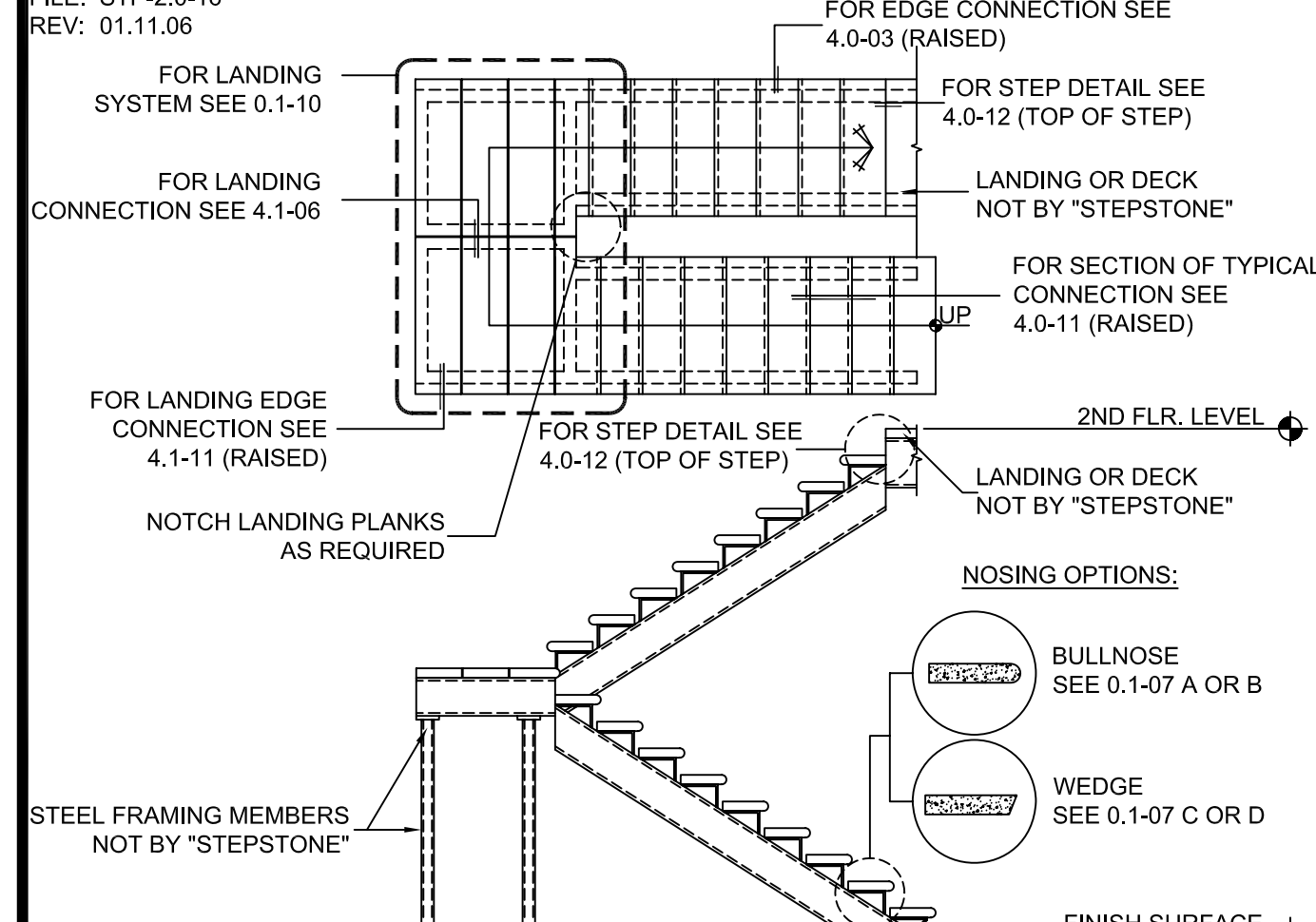
90° LANDING - OPEN RISER, BETWEEN STEEL STRINGERS  
SCALE: 1/4"=1'-0"  
FILE: STP-2.0-11



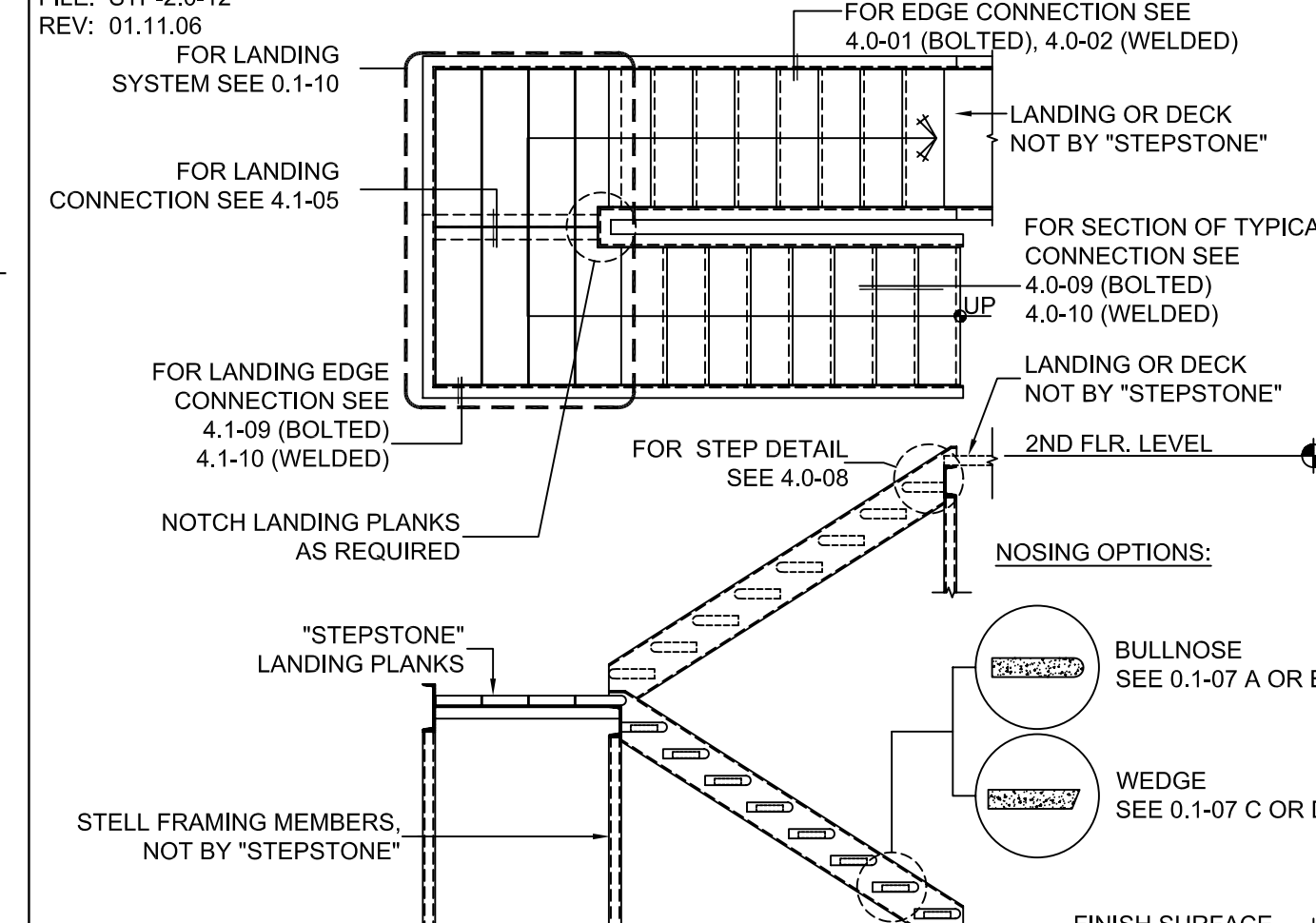
90° LANDING - CLOSED RISER, ABOVE STEEL STRINGERS  
SCALE: 1/4"=1'-0"  
FILE: STP-2.0-07



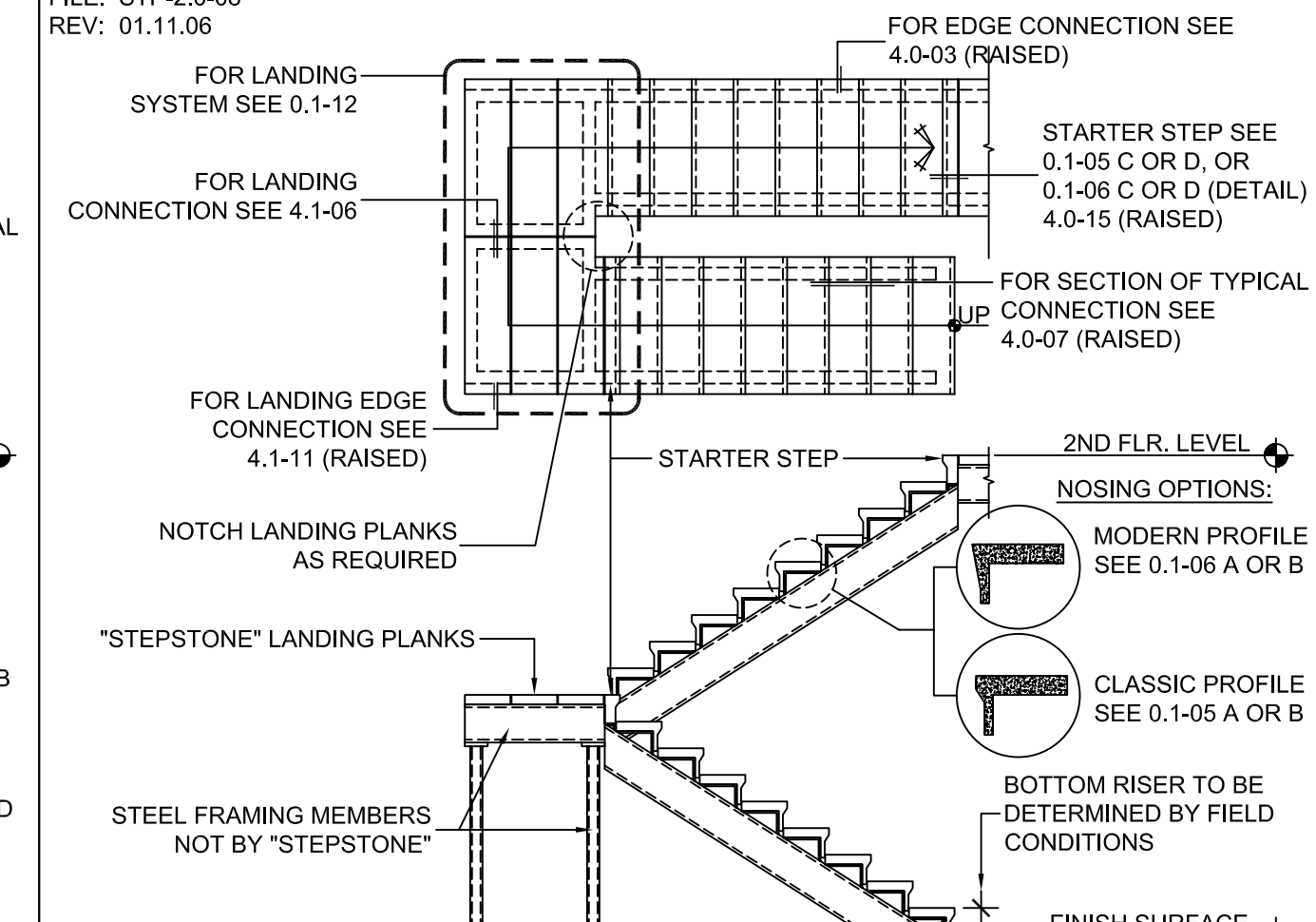
90° LANDING - CLOSED RISER, BETWEEN STEEL STRINGERS  
SCALE: 1/4"=1'-0"  
FILE: STP-2.0-03



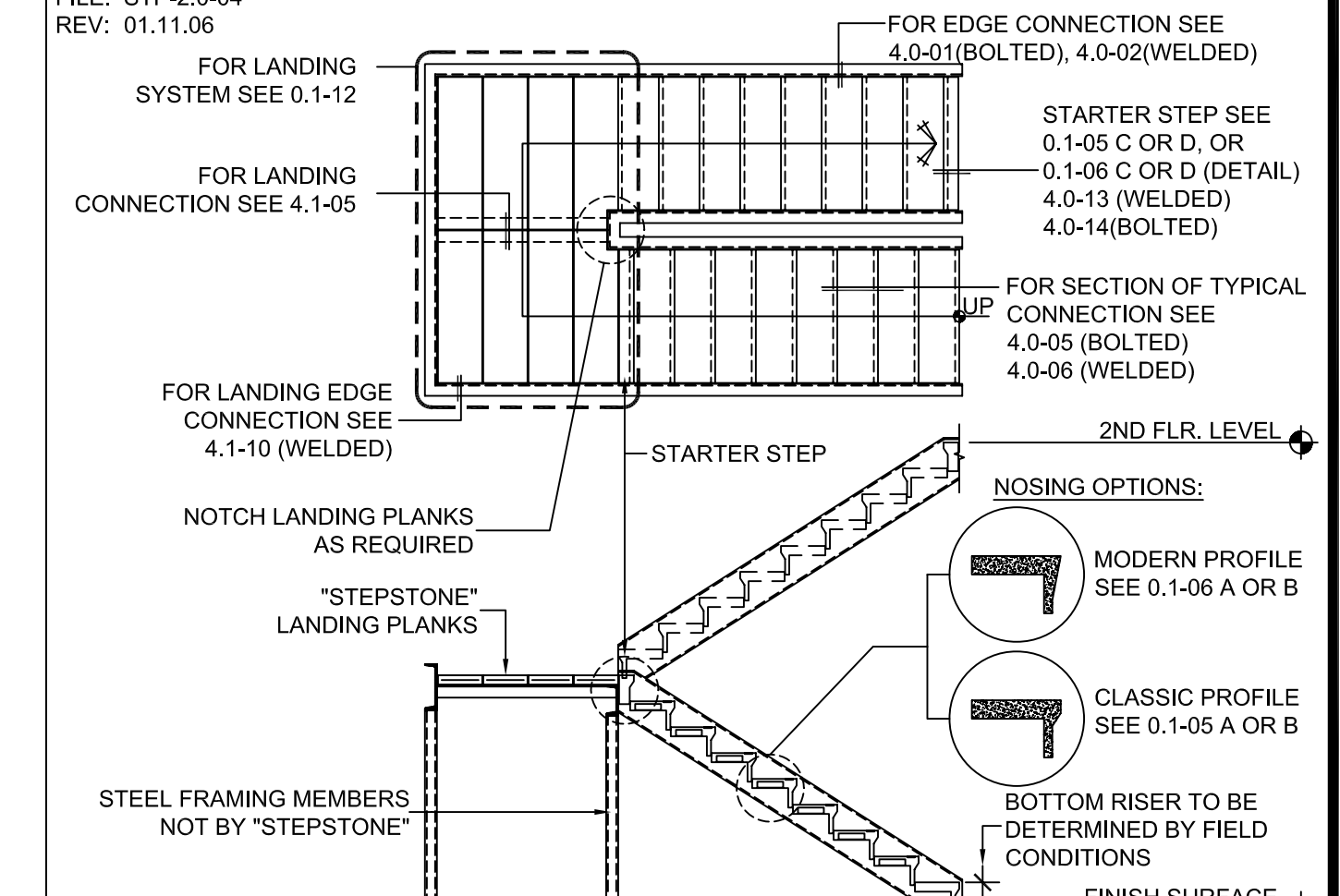
180° LANDING - OPEN RISER, ABOVE STEEL STRINGERS  
SCALE: 1/4"=1'-0"  
FILE: STP-2.0-16



180° LANDING - OPEN RISER, BETWEEN STEEL STRINGERS  
SCALE: 1/4"=1'-0"  
FILE: STP-2.0-12



180° LANDING - CLOSED RISER, ABOVE STEEL STRINGERS  
SCALE: 1/4"=1'-0"  
FILE: STP-2.0-08



180° LANDING - CLOSED RISER, BETWEEN STEEL STRINGERS  
SCALE: 1/4"=1'-0"  
FILE: STP-2.0-04

# STEPSTONE, INC.

17025 SOUTH MAIN STREET, GARDENA, CA. 90248  
1-800-572-9029  
WWW.STEPSTONEINC.COM



REV	BY	DESCRIPTION	DATE
1			
2			
3			

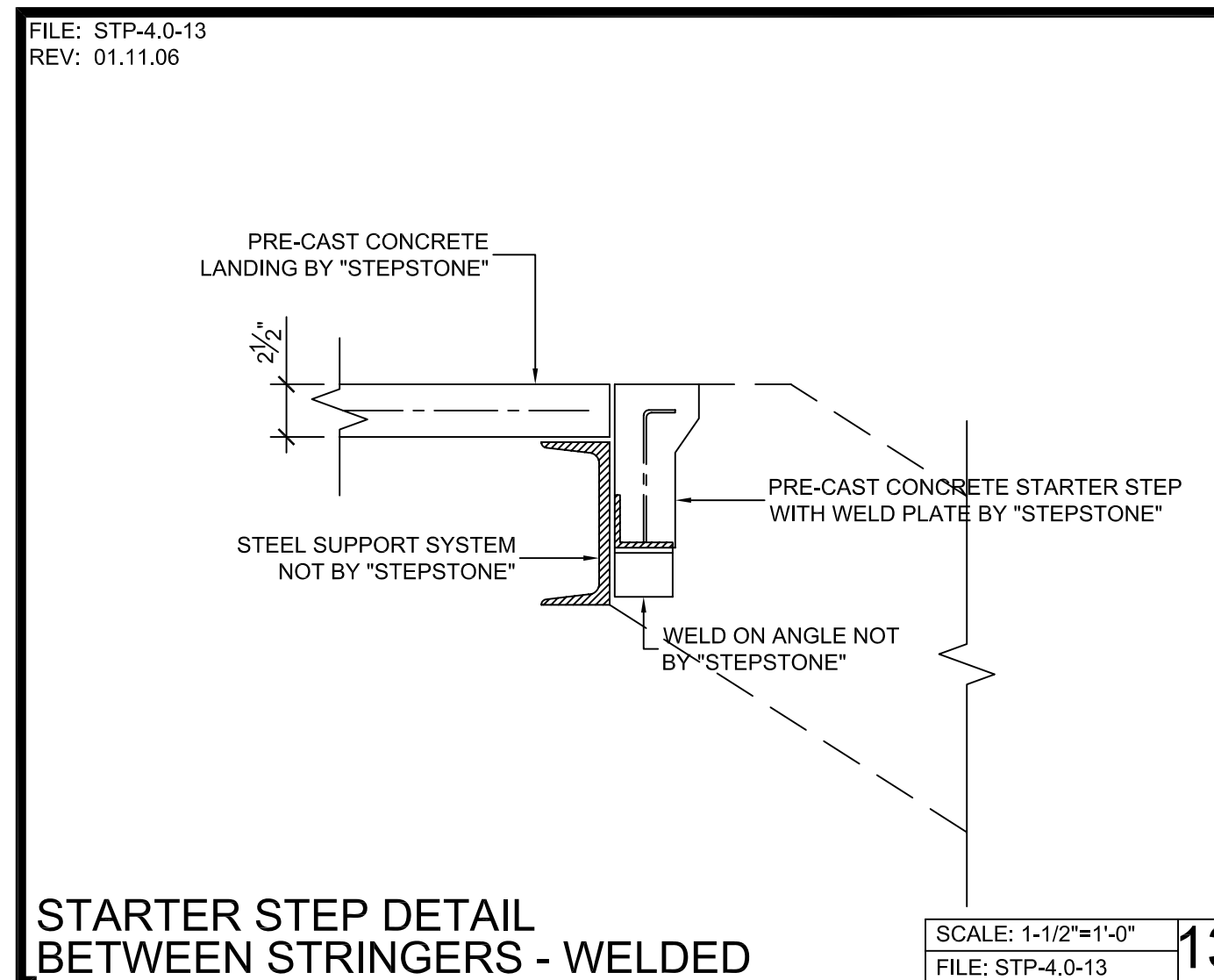
LAYOUT FOR STEEL STRINGERS

REV: 01.11.06

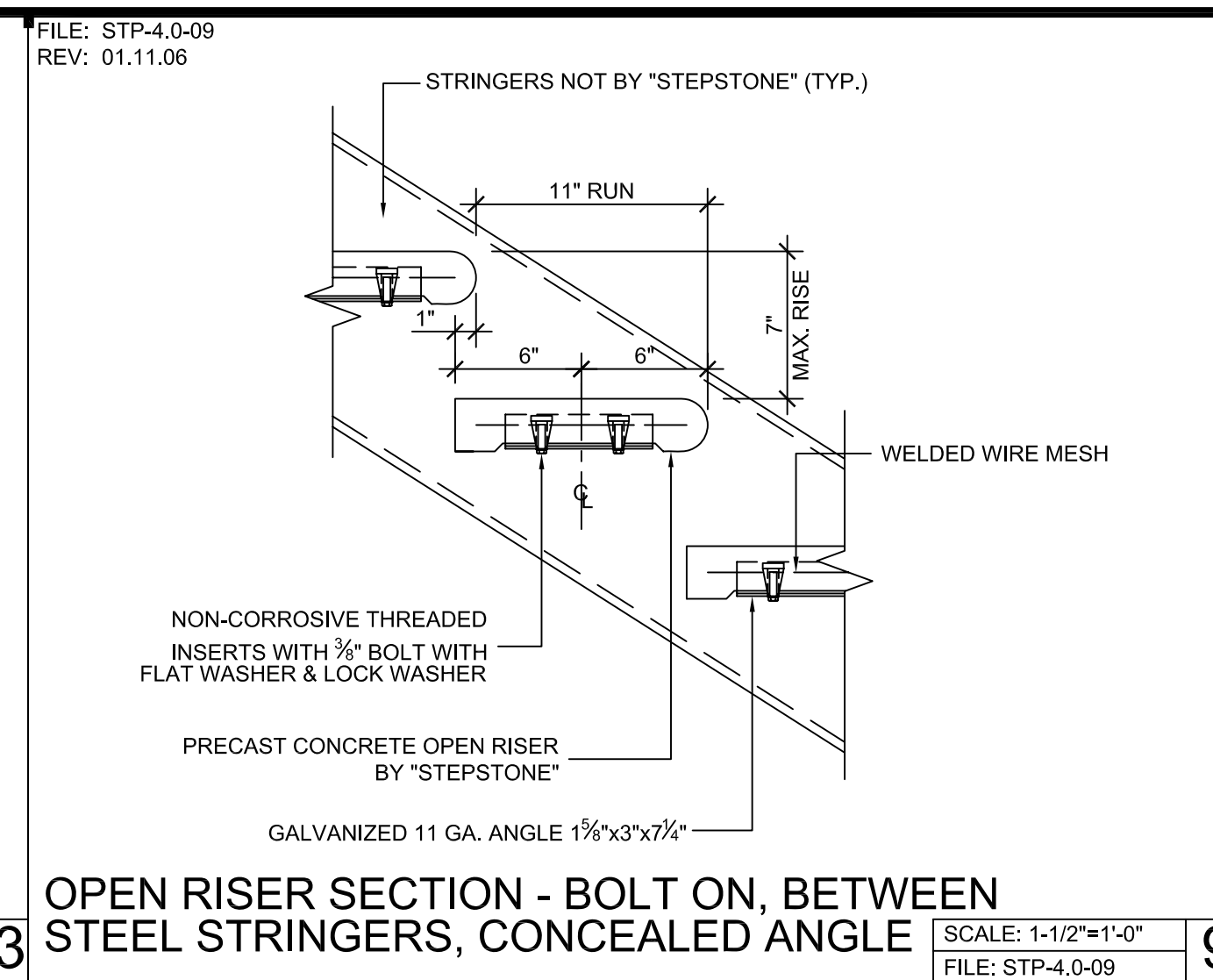
SHEET NUMBER

## STP-2.0

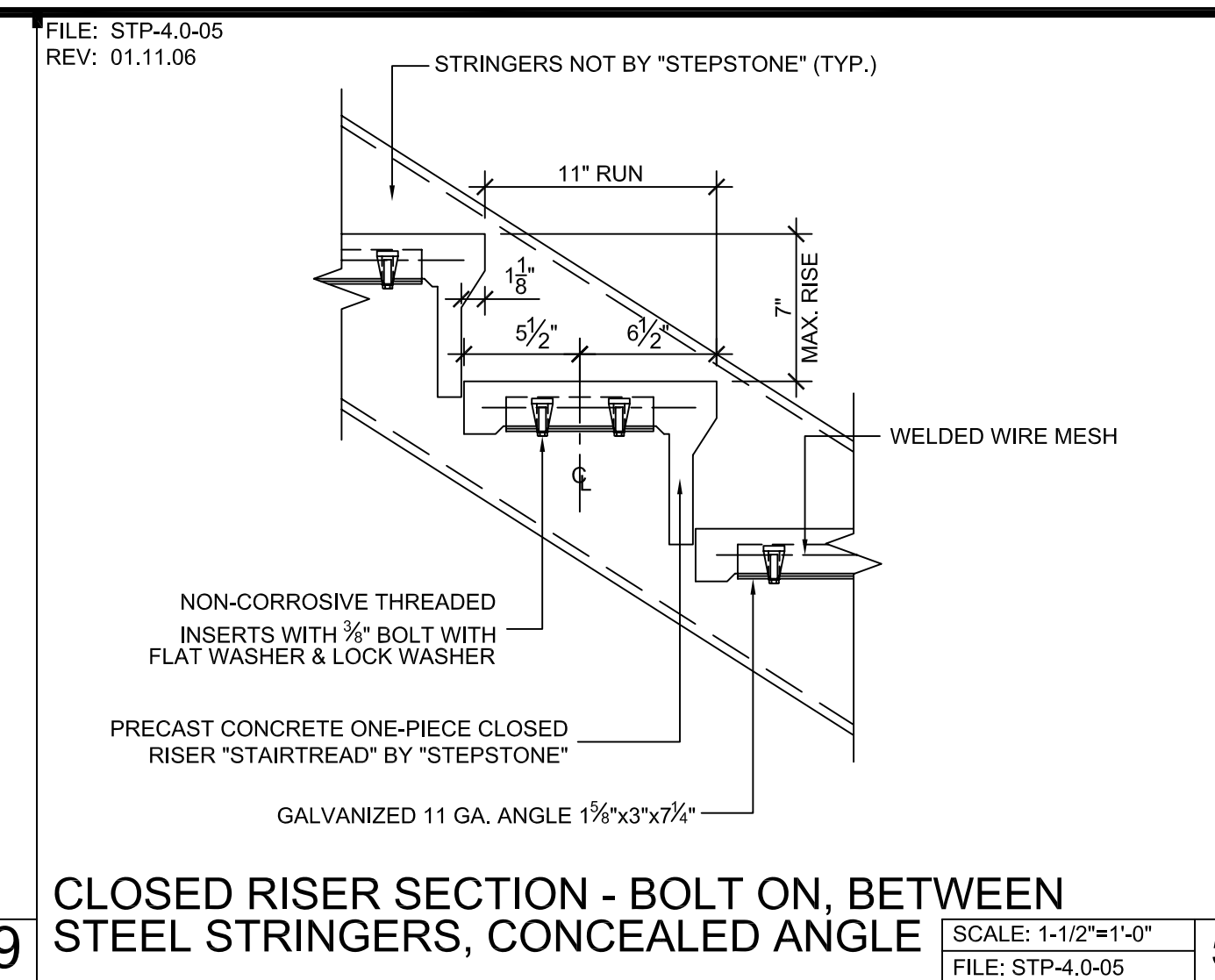
Stepstone: Stairtread



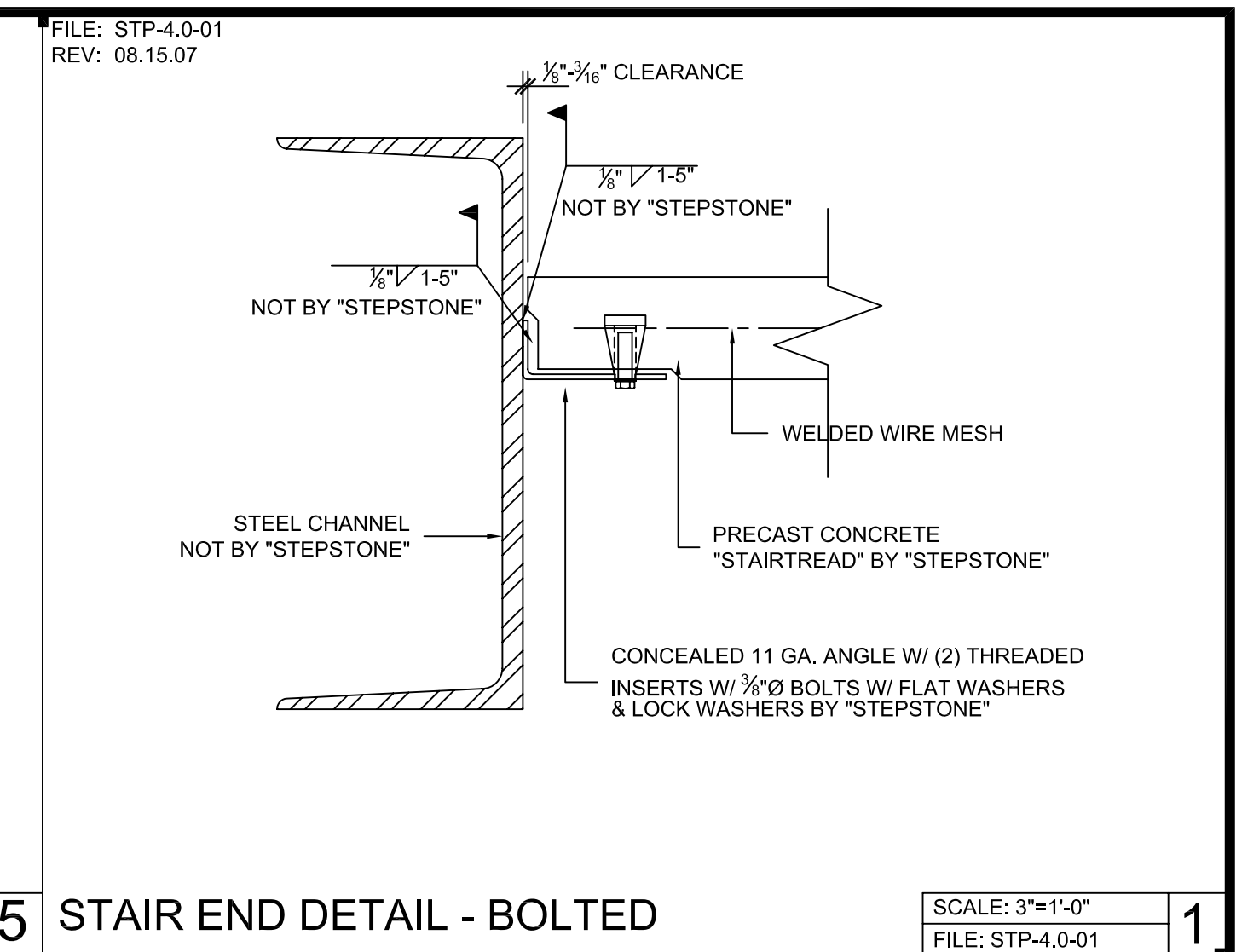
STARTER STEP DETAIL BETWEEN STRINGERS - WELDED  
 SCALE: 1-1/2"=1'-0"  
 FILE: STP-4.0-13 13



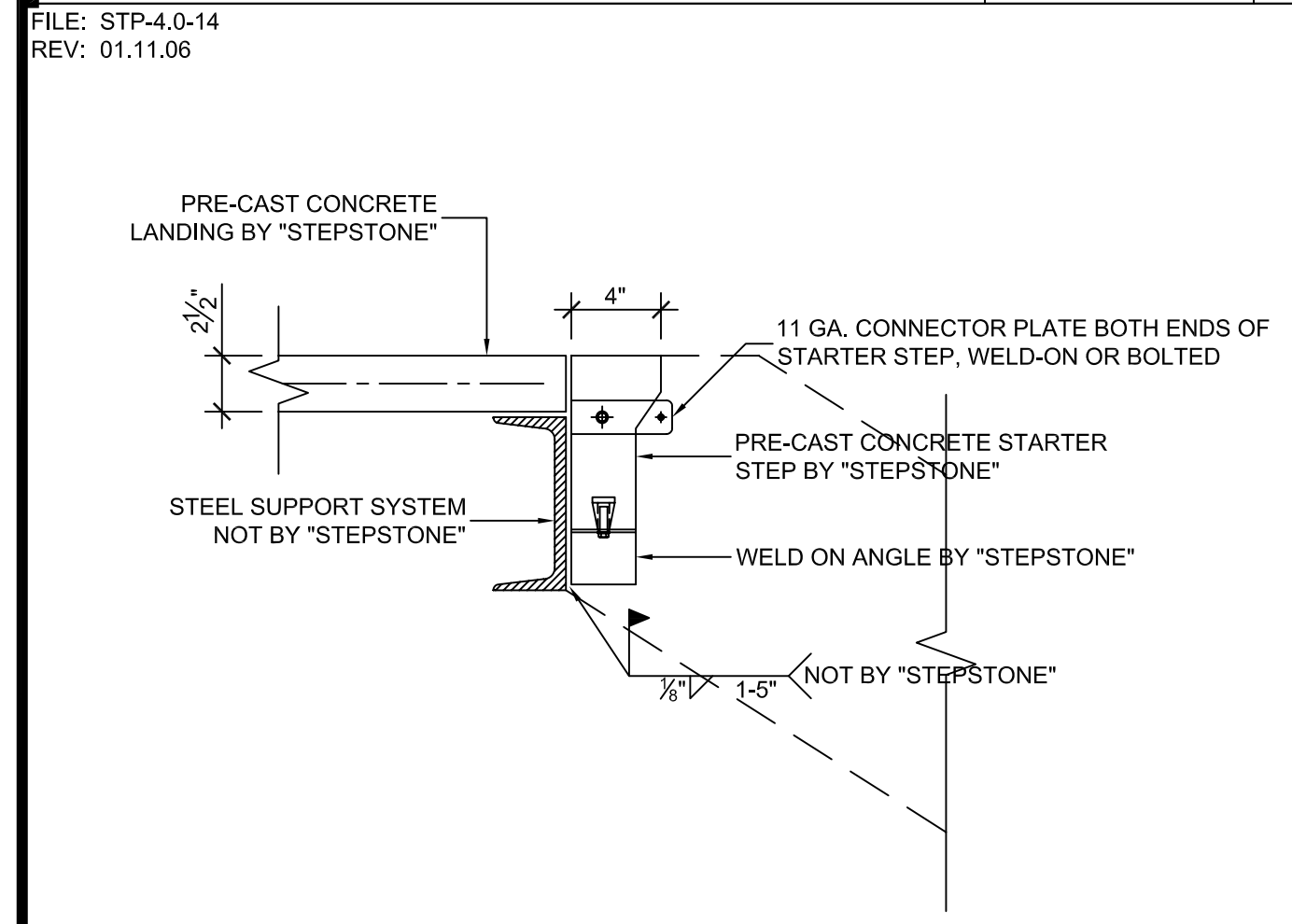
OPEN RISER SECTION - BOLT ON, BETWEEN STEEL STRINGERS, CONCEALED ANGLE  
 SCALE: 1-1/2"=1'-0"  
 FILE: STP-4.0-09 9



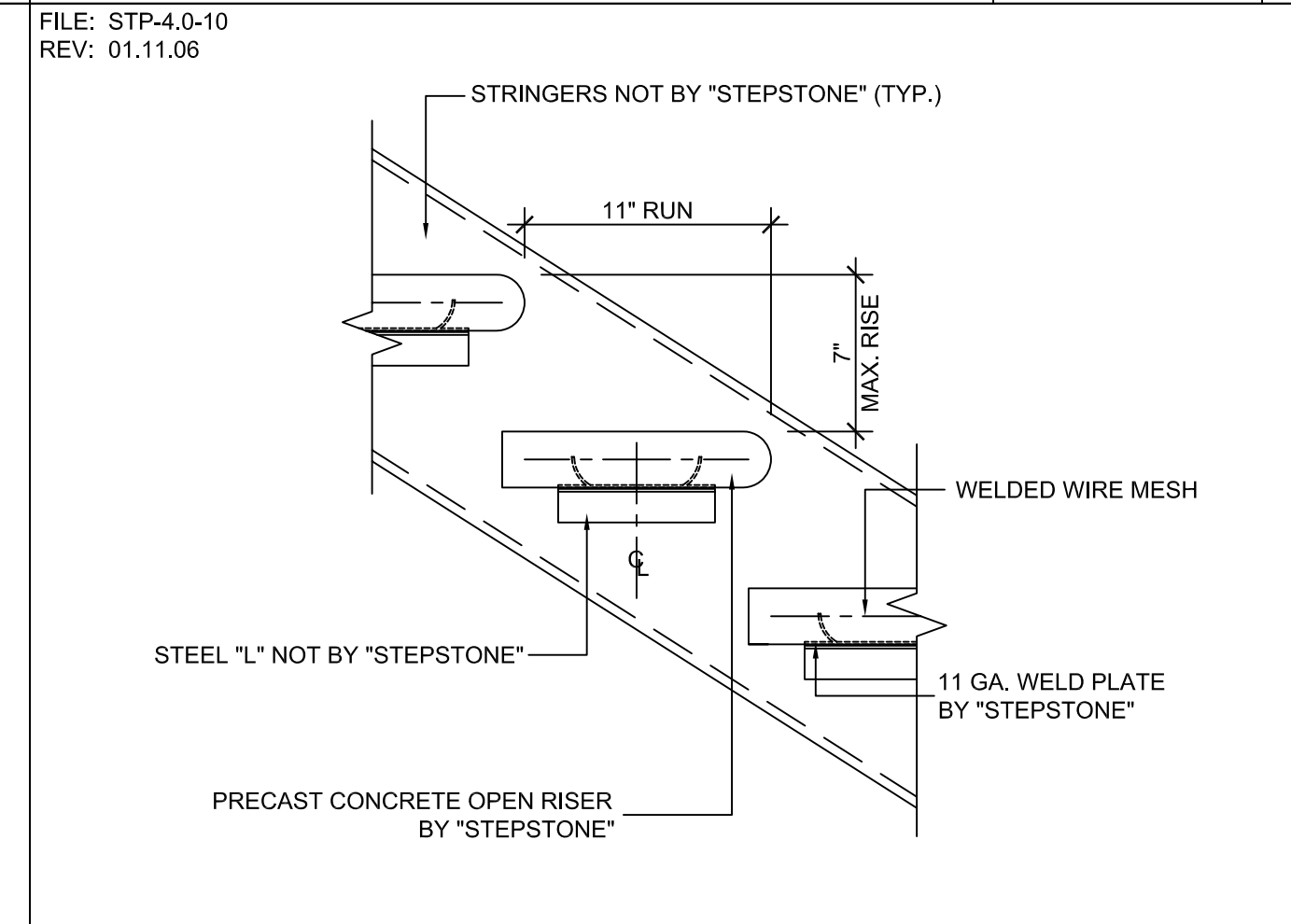
CLOSED RISER SECTION - BOLT ON, BETWEEN STEEL STRINGERS, CONCEALED ANGLE  
 SCALE: 1-1/2"=1'-0"  
 FILE: STP-4.0-05 5



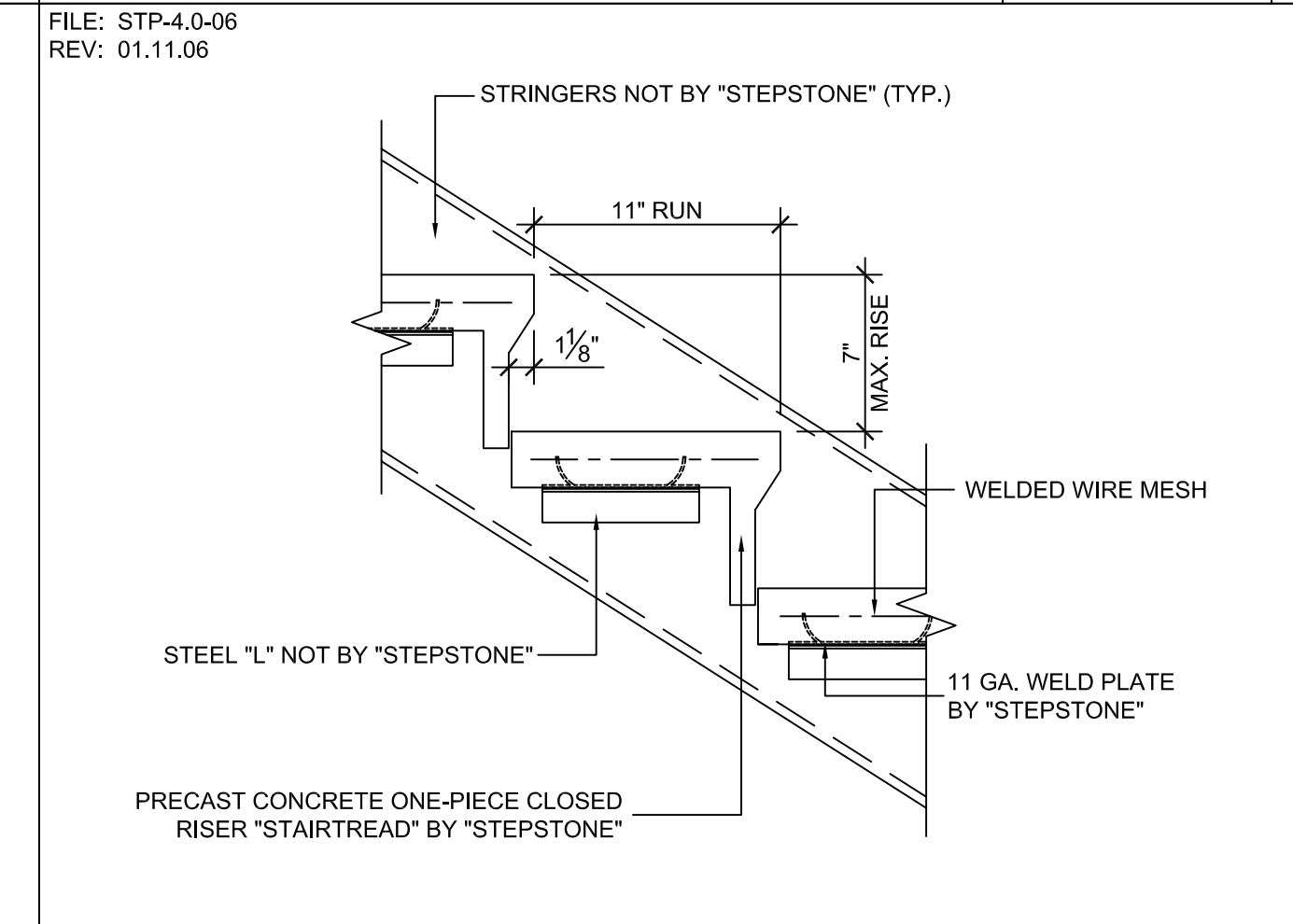
STAIR END DETAIL - BOLTED  
 SCALE: 3"=1'-0"  
 FILE: STP-4.0-01 1



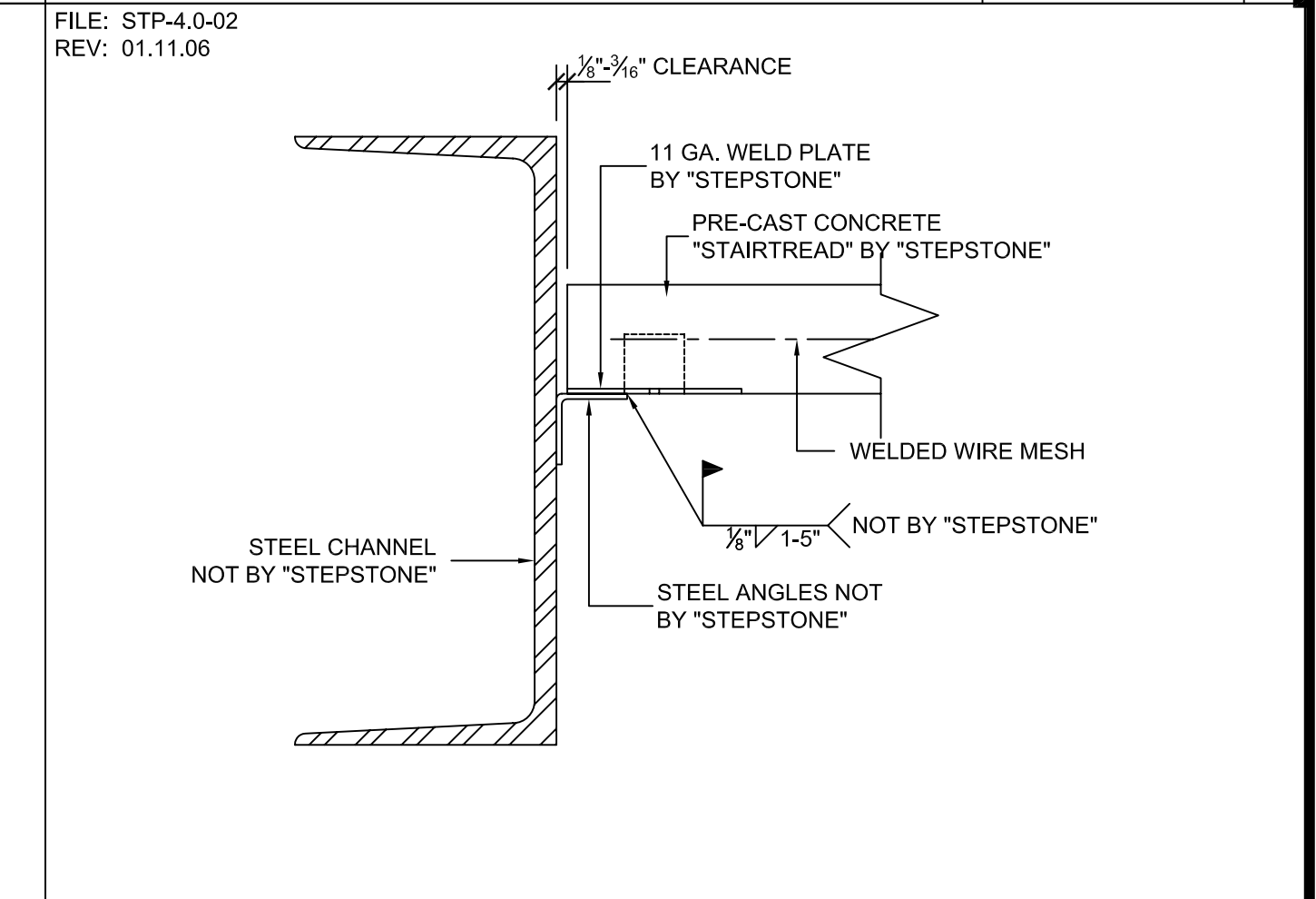
STARTER STEP DETAIL BETWEEN STRINGERS - BOLTED  
 SCALE: 1-1/2"=1'-0"  
 FILE: STP-4.0-14 14



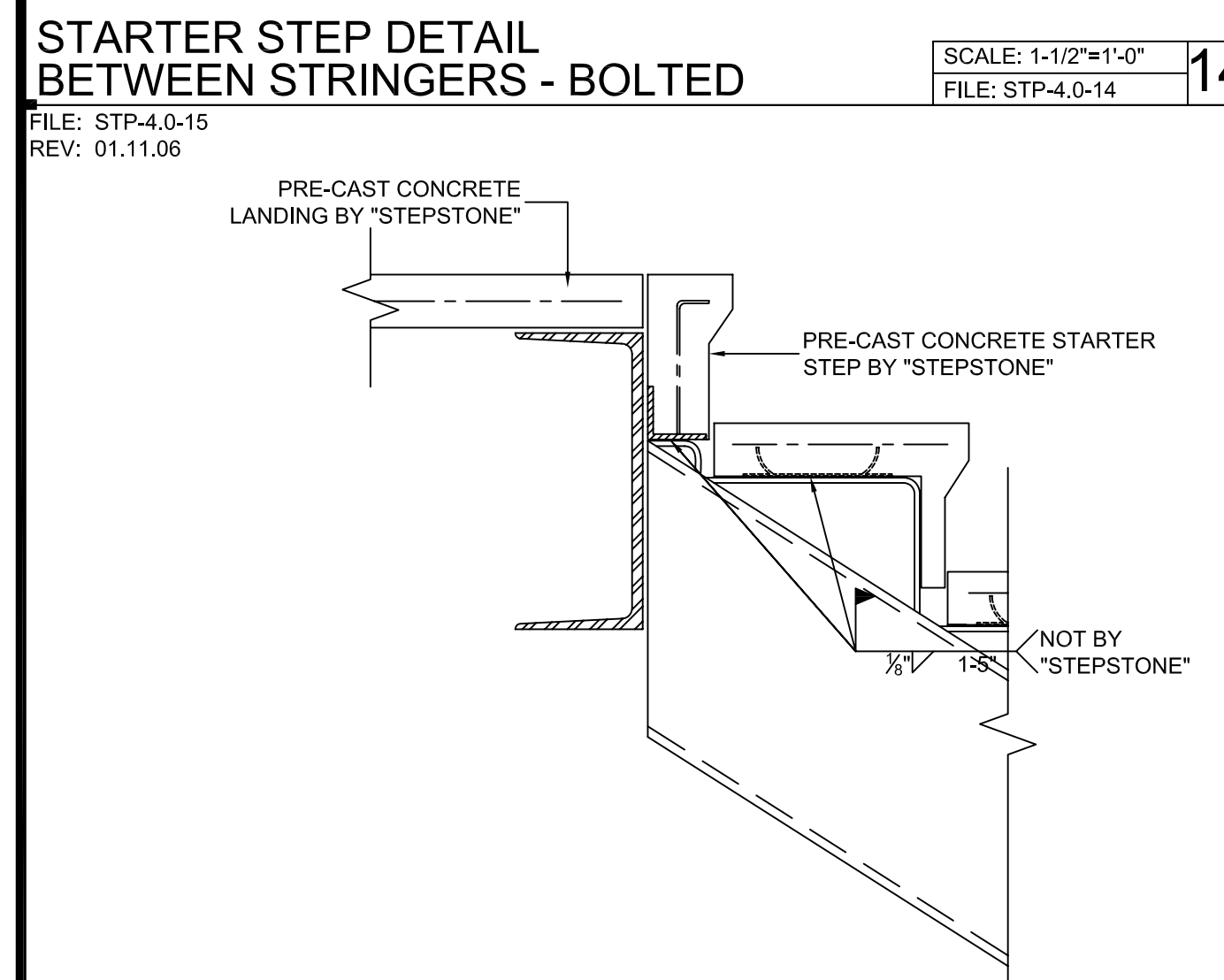
OPEN RISER SECTION - BETWEEN STEEL STRINGERS, WELDED  
 SCALE: 1-1/2"=1'-0"  
 FILE: STP-4.0-10 10



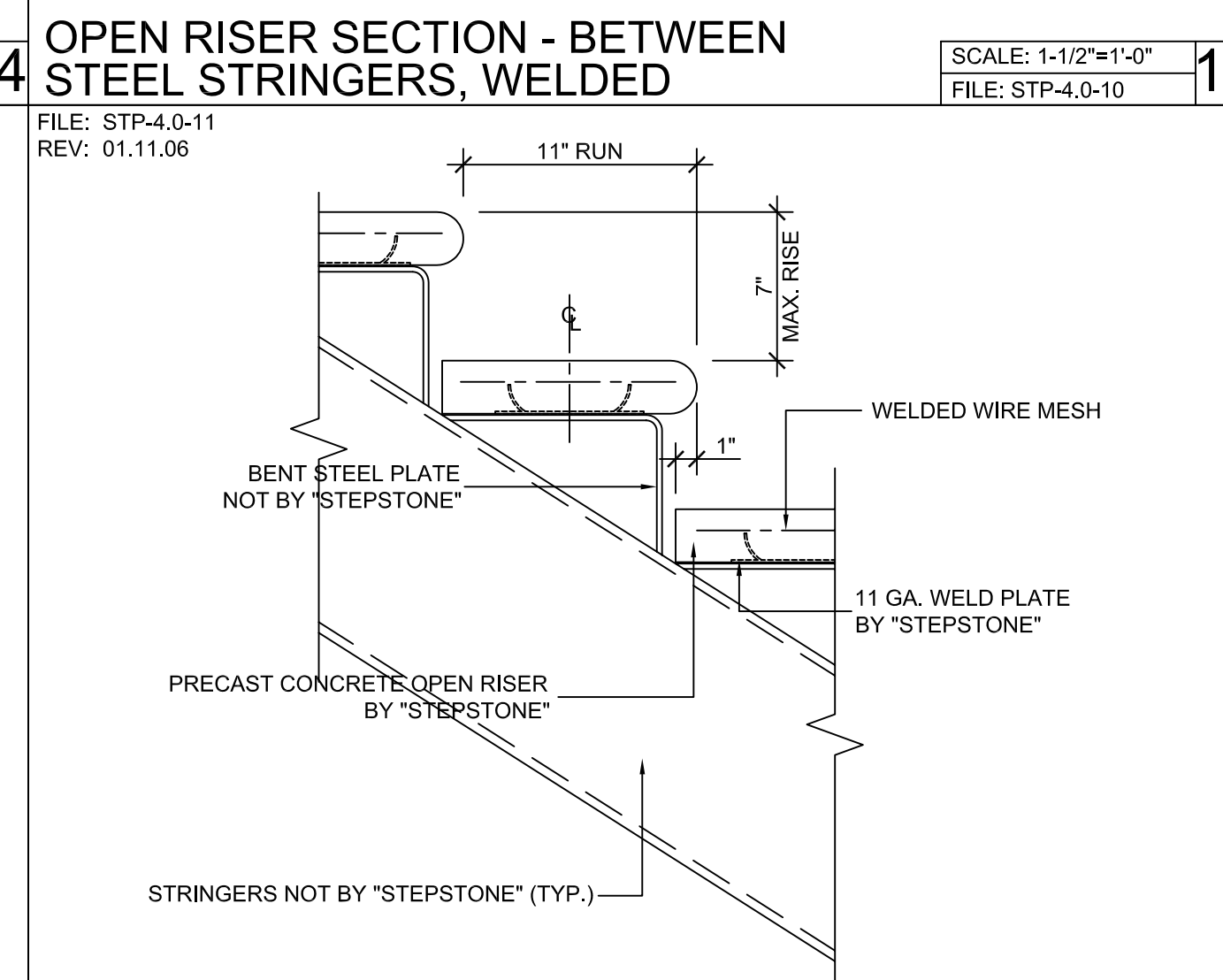
CLOSED RISER SECTION - BETWEEN STEEL STRINGERS, WELDED  
 SCALE: 1-1/2"=1'-0"  
 FILE: STP-4.0-06 6



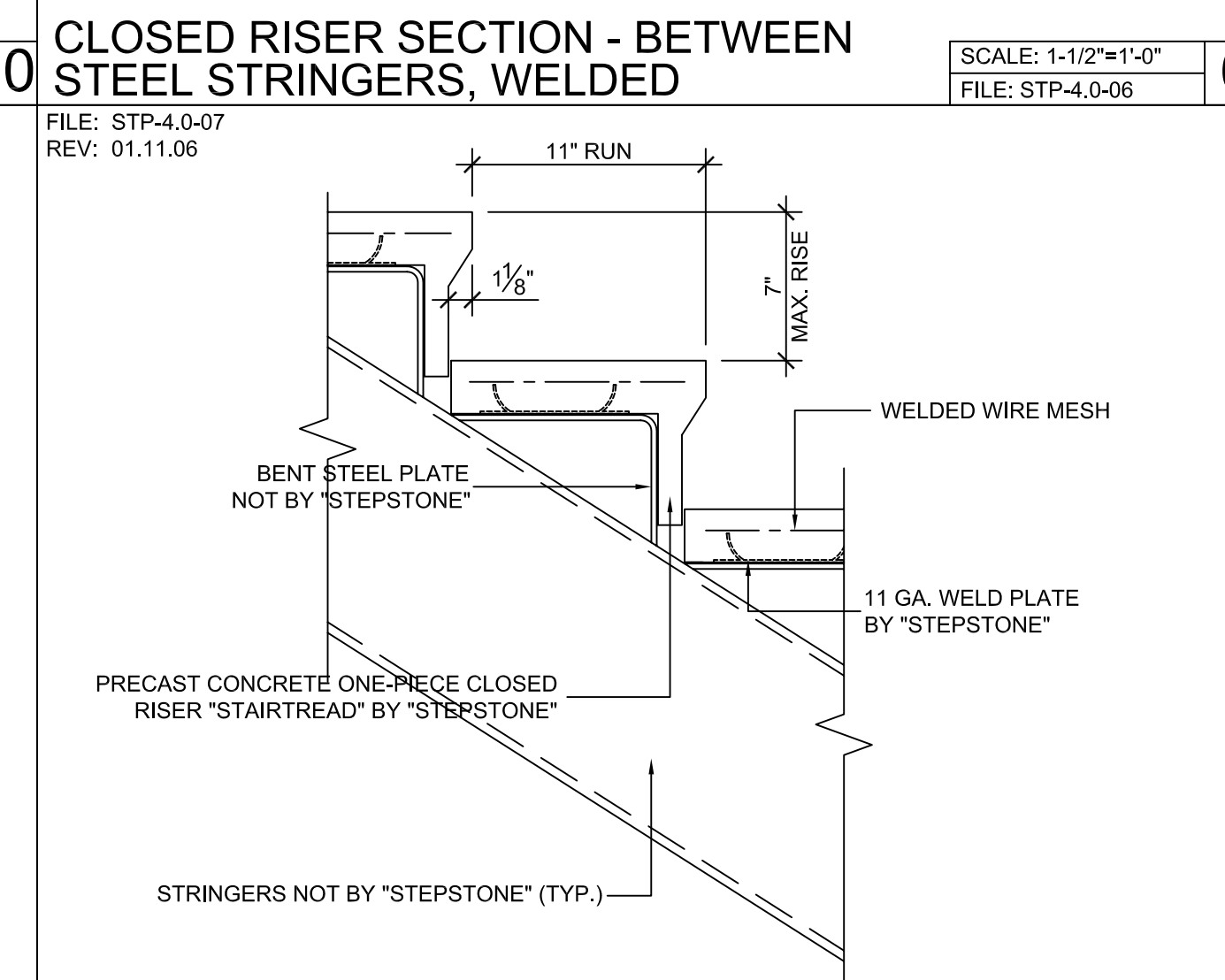
STAIR END DETAIL - WELDED  
 SCALE: 3"=1'-0"  
 FILE: STP-4.0-02 2



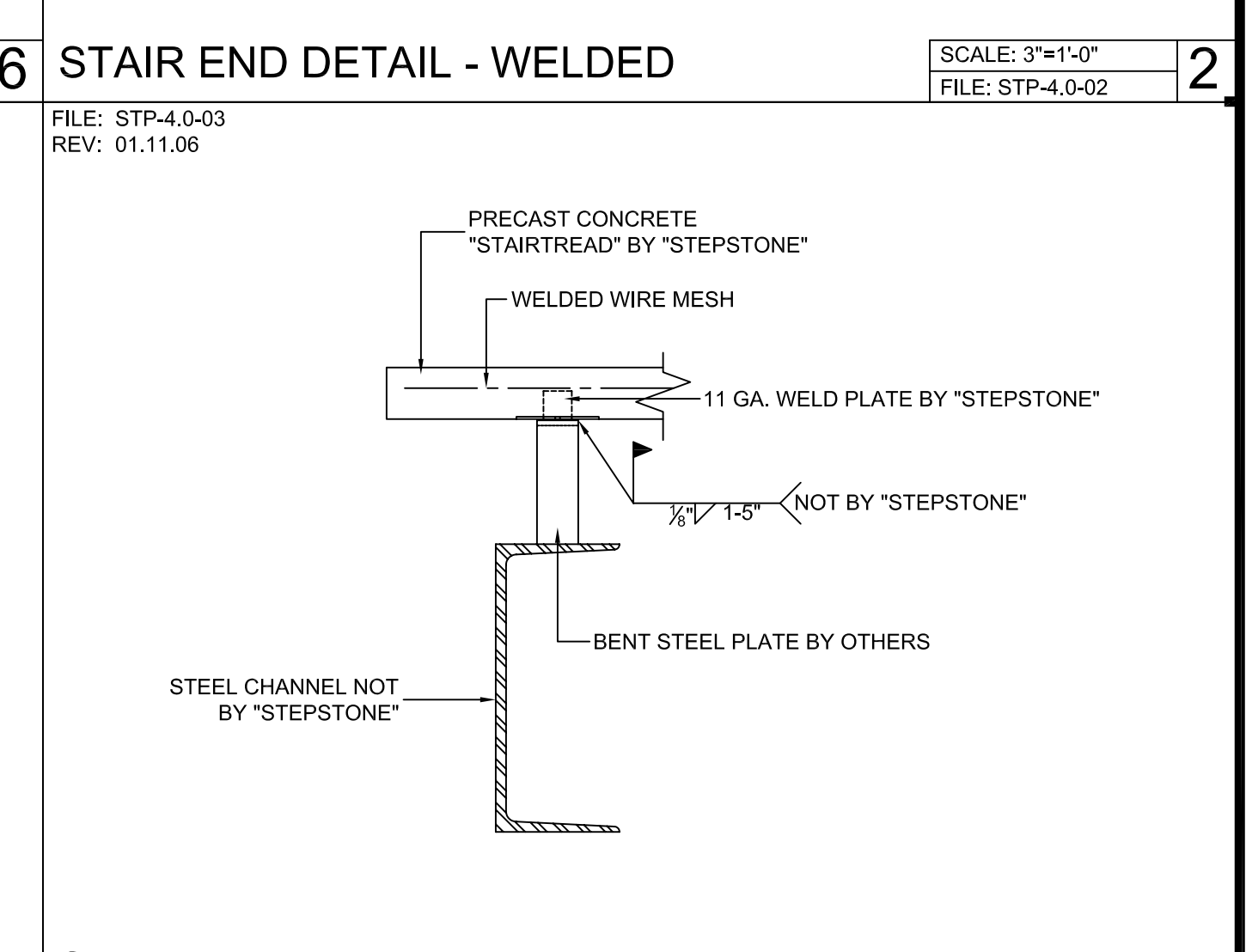
STARTER STEP DETAIL ABOVE STRINGERS - WELDED  
 SCALE: 1-1/2"=1'-0"  
 FILE: STP-4.0-15 15



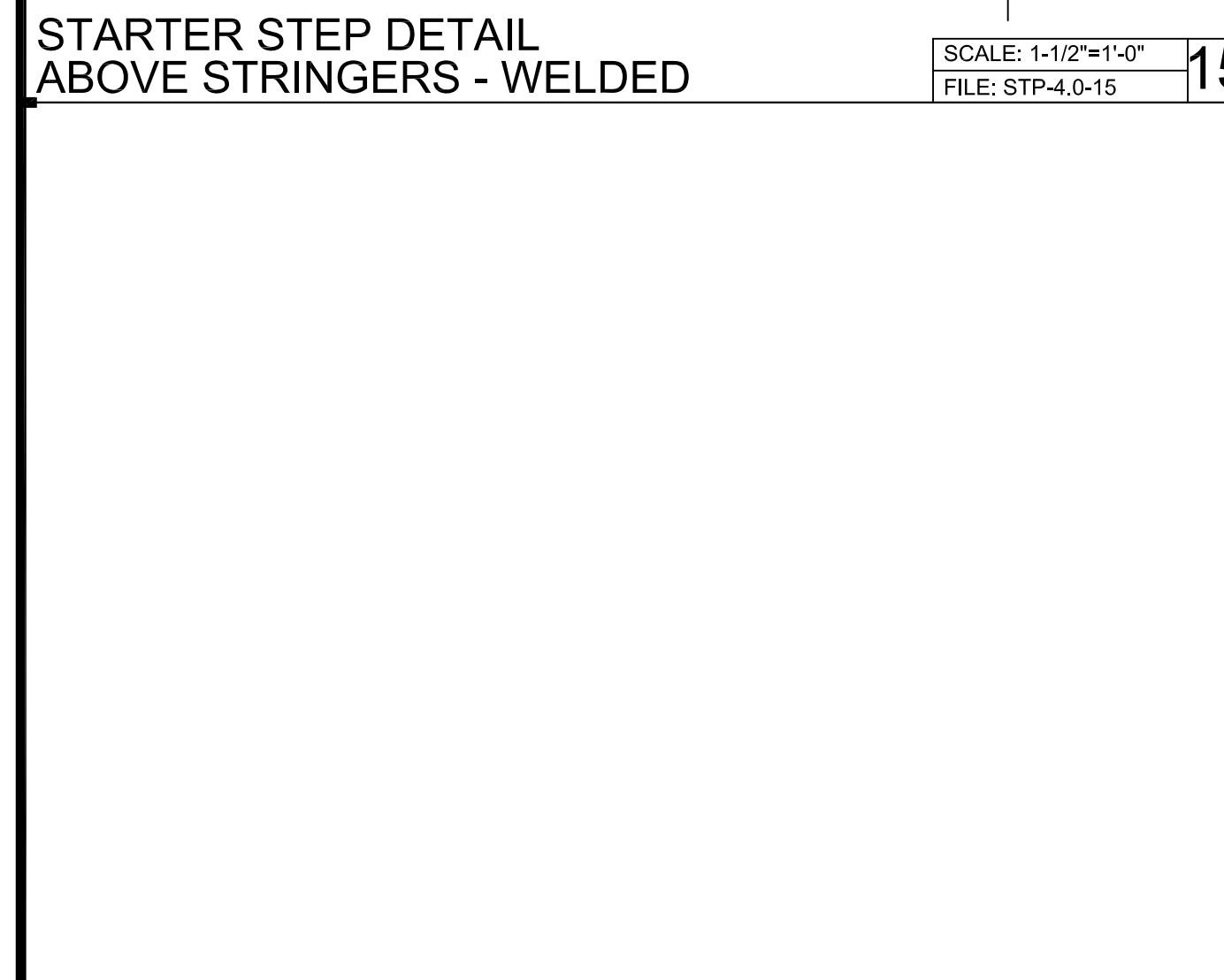
OPEN RISER SECTION - ABOVE STEEL STRINGERS, WELDED  
 SCALE: 1-1/2"=1'-0"  
 FILE: STP-4.0-11 11



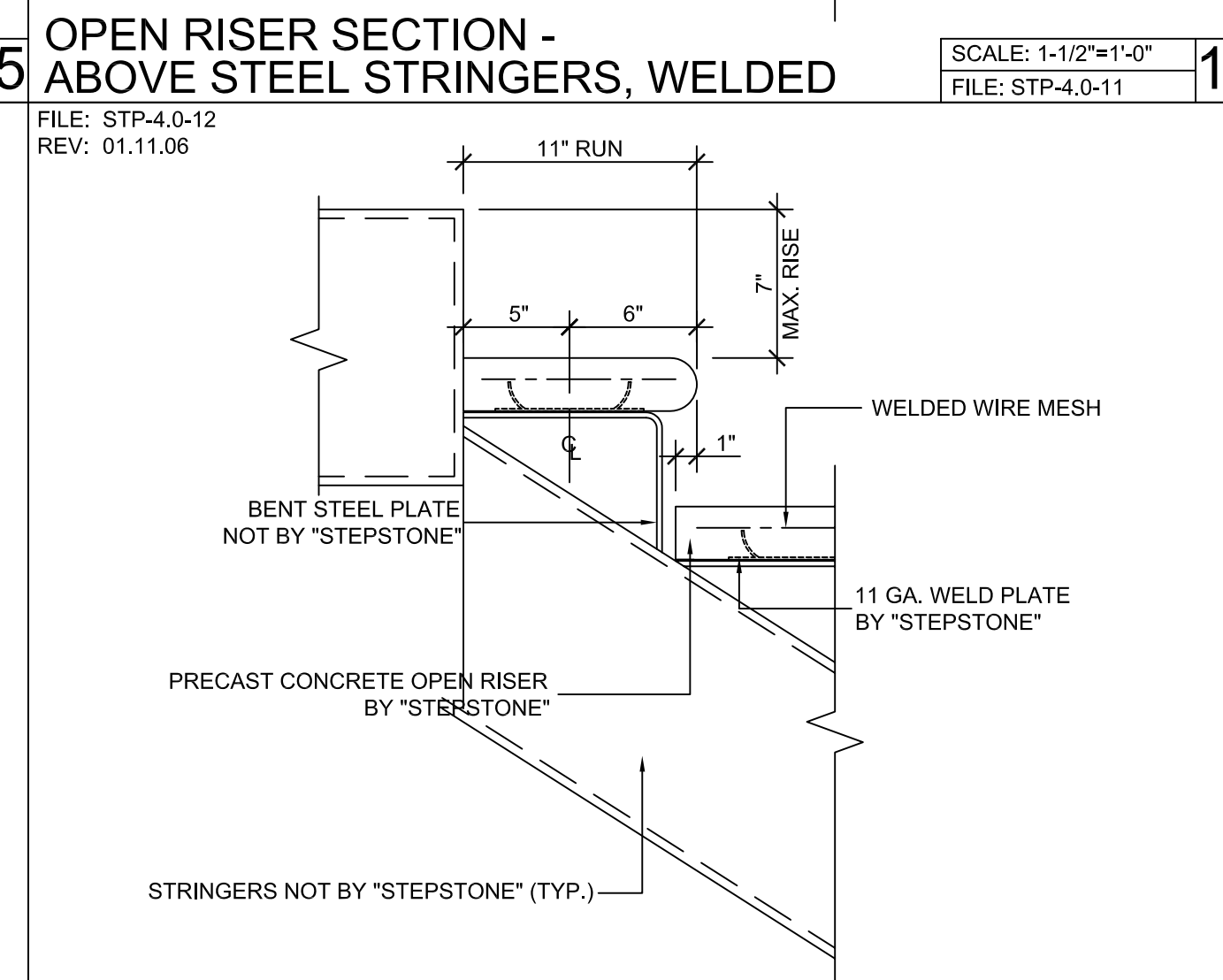
CLOSED RISER SECTION - ABOVE STEEL STRINGERS, WELDED  
 SCALE: 1-1/2"=1'-0"  
 FILE: STP-4.0-07 7



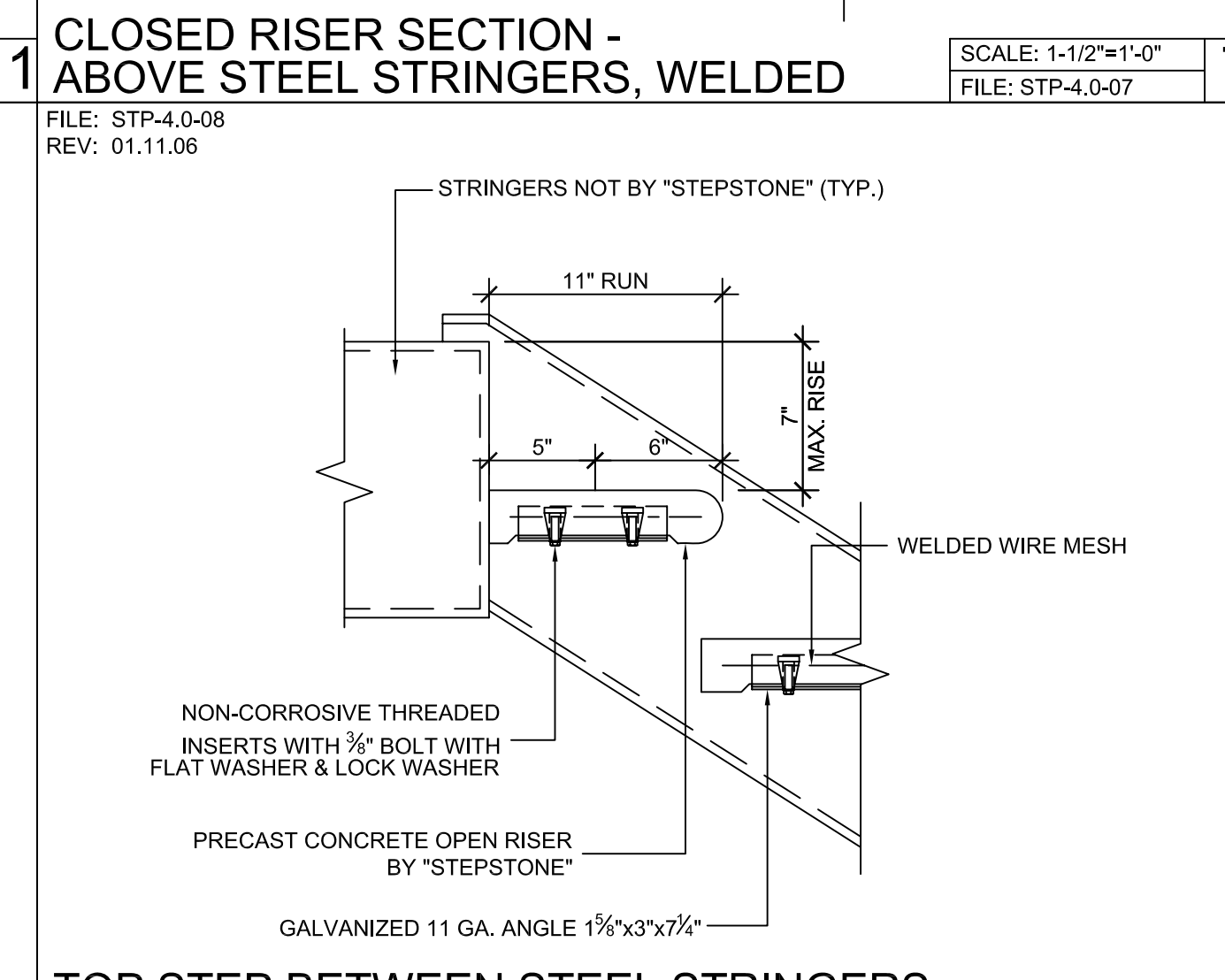
STAIR END DETAIL - RISER ABOVE STEEL STRINGERS  
 SCALE: 1-1/2"=1'-0"  
 FILE: STP-4.0-03 3



NOT USED  
 SCALE: 1-1/2"=1'-0"  
 FILE: STP-4.0-12 16



OPEN RISER SECTION - TOP STEP, ABOVE STEEL STRINGERS, WELDED  
 SCALE: 1-1/2"=1'-0"  
 FILE: STP-4.0-12 12



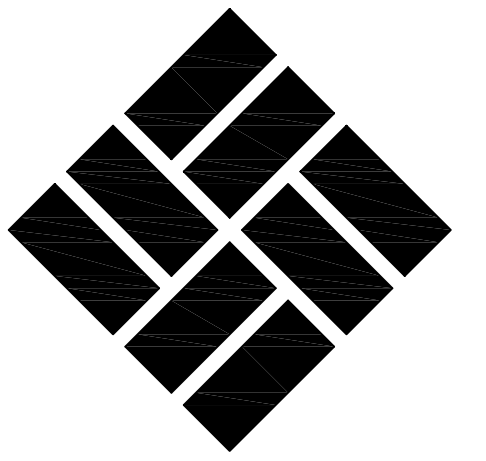
TOP STEP BETWEEN STEEL STRINGERS, BOLT-ON CONCEALED  
 SCALE: 1-1/2"=1'-0"  
 FILE: STP-4.0-08 8



NOT USED  
 SCALE: 3"=1'-0"  
 FILE: STP-4.0-01 4

**STEPSTONE, INC.**

17025 SOUTH MAIN STREET, GARDENA, CA. 90248  
 I-800-572-9029  
 WWW.STEPSTONEINC.COM

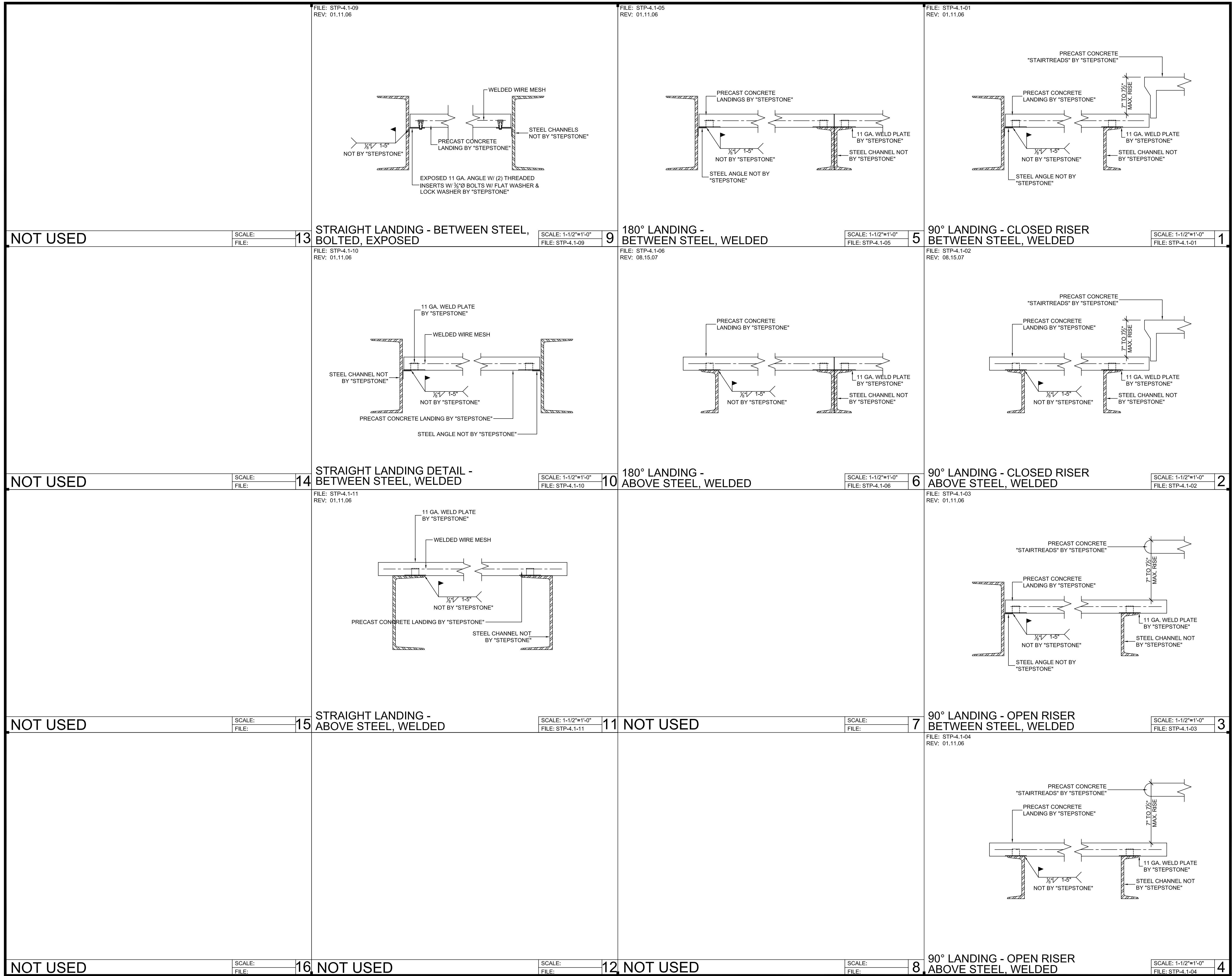


REV	BY	DESCRIPTION	DATE
1			
2			
3			

TREAD & STARTER STEP DETAILS (STEEL STRINGERS)  
 REV: 01.11.06

SHEET NUMBER  
**STP-4.0**

Stepstone: Stairtread



# STEPSTONE, INC.

17025 SOUTH MAIN STREET, GARDENA, CA. 90248  
1-800-572-9029  
WWW.STEPSTONEINC.COM

REV	BY	DESCRIPTION	DATE
1			
2			
3			

**LANDING DETAILS**  
**(STEEL STRINGERS)**

REV: 01.11.06

SHEET NUMBER

## STP-4.1

Stepstone: Stairtread