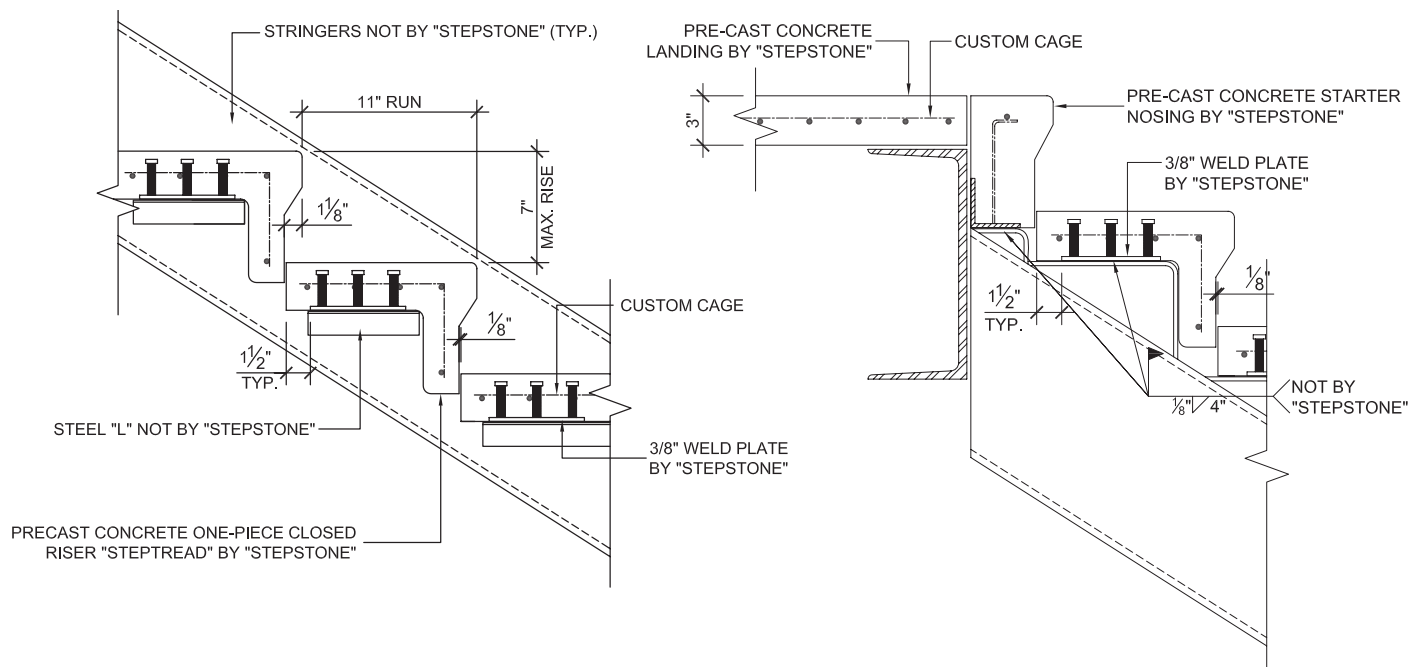


## LONG SPAN STEPTREAD SYSTEM

LONG SPAN STEPTREADS are precast concrete stair treads supported by a steel structure. They are available in various colors and finishes. In these details you will find general tread details and details specific to connections to steel supports. You may choose all of the details or individual sections that apply to your project. The STEPTREAD SYSTEM includes information on both treads and landing planks for a complete design. These details are available to you in PDF, DWG format and DWF format. Stepstone, LLC has been manufacturing STEPTREADS for over 35 years.



PRECAST CONCRETE TREADS AND LANDINGS SHOWN ON PLANS SHALL BE FROM THE LONG SPAN "STEPTREAD" SYSTEM BY "STEPSTONE, LLC" OF GARDENA, CA FOR STEEL CONSTRUCTION. THE MANUFACTURER IS TO SUPPLY ALL PRECAST CONCRETE "STEPTREAD" SYSTEM PARTS, FEATURING BOTTOM WELD PLATES FOR WELD-ON CONNECTIONS. ALL REINFORCING AND CONNECTION PLATES WILL BE ZINC PLATED. ONLY ITEMS NOTED AS BY "STEPSTONE, LLC" WILL BE FURNISHED BY "STEPSTONE, LLC" SUCH ITEMS ARE TO BE INSTALLED BY OTHERS.

**LONG SPAN STEPTREAD SYSTEM**

PROFILES AND NOTES	STP 5.0-04	Page 3-LS, 4-LS
LONG SPAN CLOSED RISER-CLASSIC PROFILE	STP 5.0-05	Page 5-LS
LONG SPAN CLOSED RISER-MODERN PROFILE	STP 5.0-06	Page 6-LS
LONG SPAN OPEN RISER-WEDGE PROFILE	STP 5.0-07	Page 7-LS
STRAIGHT STAIR-INTERMEDIATE OR TOP LANDING LAYOUT	STP 5.0-08	Page 8-LS
90° STAIR LANDING LAYOUT	STP 5.0-09	Page 9-LS
180° STAIR LANDING LAYOUT / SCHEDULE	STP 5.0-12	Page 10-LS, 11-LS
LANDING SECTION	STP 5.0-13	Page 12-LS

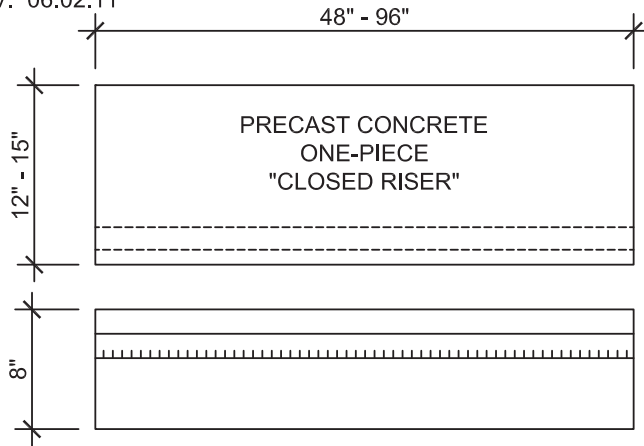
**STEEL SUPPORT LAYOUTS**

CLOSED RISER-BETWEEN STRINGERS, STRAIGHT NO LANDING	STP 5.2-01	Page 13-LS
CLOSED RISER-BETWEEN STRINGERS, STRAIGHT W/ LANDING	STP 5.2-02	Page 14-LS
CLOSED RISER-BETWEEN STRINGERS, 90° LANDING	STP 5.2-03	Page 15-LS
CLOSED RISER-BETWEEN STRINGERS, 180° LANDING	STP 5.2-04	Page 16-LS
CLOSED RISER- ABOVE STRINGERS, STRAIGHT NO LANDING	STP 5.2-05	Page 17-LS
CLOSED RISER- ABOVE STRINGERS, STRAIGHT LANDING	STP 5.2-06	Page 18-LS
CLOSED RISER- ABOVE STRINGERS, 90° LANDING	STP 5.2-07	Page 19-LS
CLOSED RISER- ABOVE STRINGERS, 180° LANDING	STP 5.2-08	Page 20-LS
OPEN RISER- WEDGE PROFILE, STRAIGHT NO LANDING	STP 5.2-09	Page 21-LS
OPEN RISER- WEDGE PROFILE, STRAIGHT LANDING	STP 5.2-10	Page 22-LS
OPEN RISER- WEDGE PROFILE, 90° LANDING	STP 5.2-11	Page 23-LS
OPEN RISER- WEDGE PROFILE, 180° LANDING	STP 5.2-12	Page 24-LS
WEDGE PROFILE W/ RISER CONNECTOR PLATES, NO LANDING	STP 5.2-13	Page 25-LS
WEDGE PROFILE W/ RISER CONNECTOR PLATES, STRAIGHT LANDING	STP 5.2-14	Page 26-LS
WEDGE PROFILE W/ RISER CONNECTOR PLATES, 90° LANDING	STP 5.2-15	Page 27-LS
WEDGE PROFILE W/ RISER CONNECTOR PLATES, 180° LANDING	STP 5.2-16	Page 28-LS
OPEN RISER- ABOVE STRINGERS, STRAIGHT NO LANDING	STP 5.2-17	Page 29-LS
OPEN RISER- ABOVE STRINGERS, STRAIGHT W/ LANDING	STP 5.2-18	Page 30-LS
OPEN RISER- ABOVE STRINGERS, 90° LANDING	STP 5.2-19	Page 31-LS
OPEN RISER- ABOVE STRINGERS, 180° LANDING	STP 5.2-20	Page 32-LS

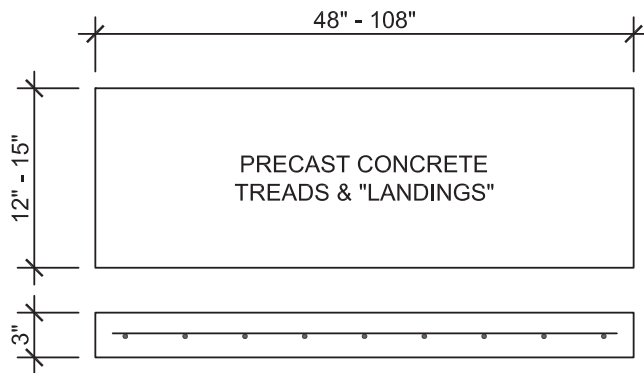
**CONNECTION DETAILS**

TREAD END-WELD ON, BETWEEN STRINGERS	STP 5.1-01	Page 33-LS
TREAD END-WELD ON, ABOVE STRINGERS	STP 5.1-02	Page 34-LS
CLOSED RISER TREAD-WELD ON, BETWEEN STRINGERS	STP 5.1-03	Page 35-LS
CLOSED RISER TREAD-WELD ON, ABOVE STRINGERS	STP 5.1-04	Page 36-LS
STARTER NOSING-WELD ON, BETWEEN STRINGERS	STP 5.1-05	Page 37-LS
STARTER NOSING-WELD ON, ABOVE STRINGERS	STP 5.1-06	Page 38-LS
STRAIGHT LANDING-BETWEEN STRINGERS, WELD ON	STP 5.1-07	Page 39-LS
LANDING-ABOVE STRINGERS, WELD ON	STP 5.1-08	Page 40-LS
90° LANDING @ CLOSED RISER-BETWEEN STRINGERS, WELD ON	STP 5.1-09	Page 41-LS
90° LANDING @ TREAD-ABOVE STRINGERS, WELD ON	STP 5.1-10	Page 42-LS
180° LANDING-BETWEEN STRINGERS, WELD ON	STP 5.1-11	Page 43-LS
180° LANDING-ABOVE STRINGERS, WELD ON	STP 5.1-12	Page 44-LS
OPEN RISER WEDGE-BETWEEN STRINGERS, WELD ON	STP 5.1-13	Page 45-LS
WEDGE W/ STEEL RISER CONNECTOR PLATES	STP 5.1-14	Page 46-LS
WEDGE W/ STEEL RISER CONNECTOR PLATES @ LANDING	STP 5.1-15	Page 47-LS
WEDGE @ TOP STEP, BETWEEN STRINGERS, WELD ON	STP 5.1-16	Page 48-LS
OPEN RISER WEDGE-ABOVE STRINGERS, WELD ON	STP 5.1-17	Page 49-LS
OPEN RISER WEDGE @ TOP STEP, ABOVE STRINGERS, WELD ON	STP 5.1-18	Page 50-LS

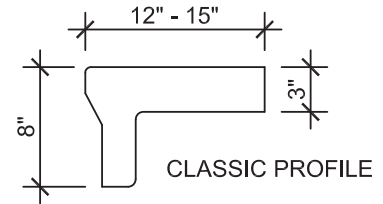
FILE: STP-5.0-04A  
REV: 06.02.11



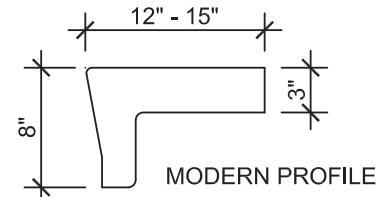
CLOSED RISER



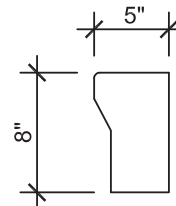
OPEN RISER



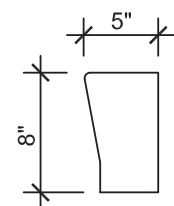
CLASSIC PROFILE



MODERN PROFILE

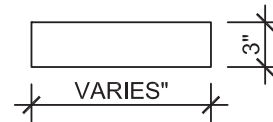


CLASSIC PROFILE  
STARTER NOSING

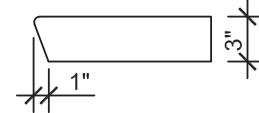


MODERN PROFILE  
STARTER NOSING

LANDING PLANK



WEDGE PROFILE



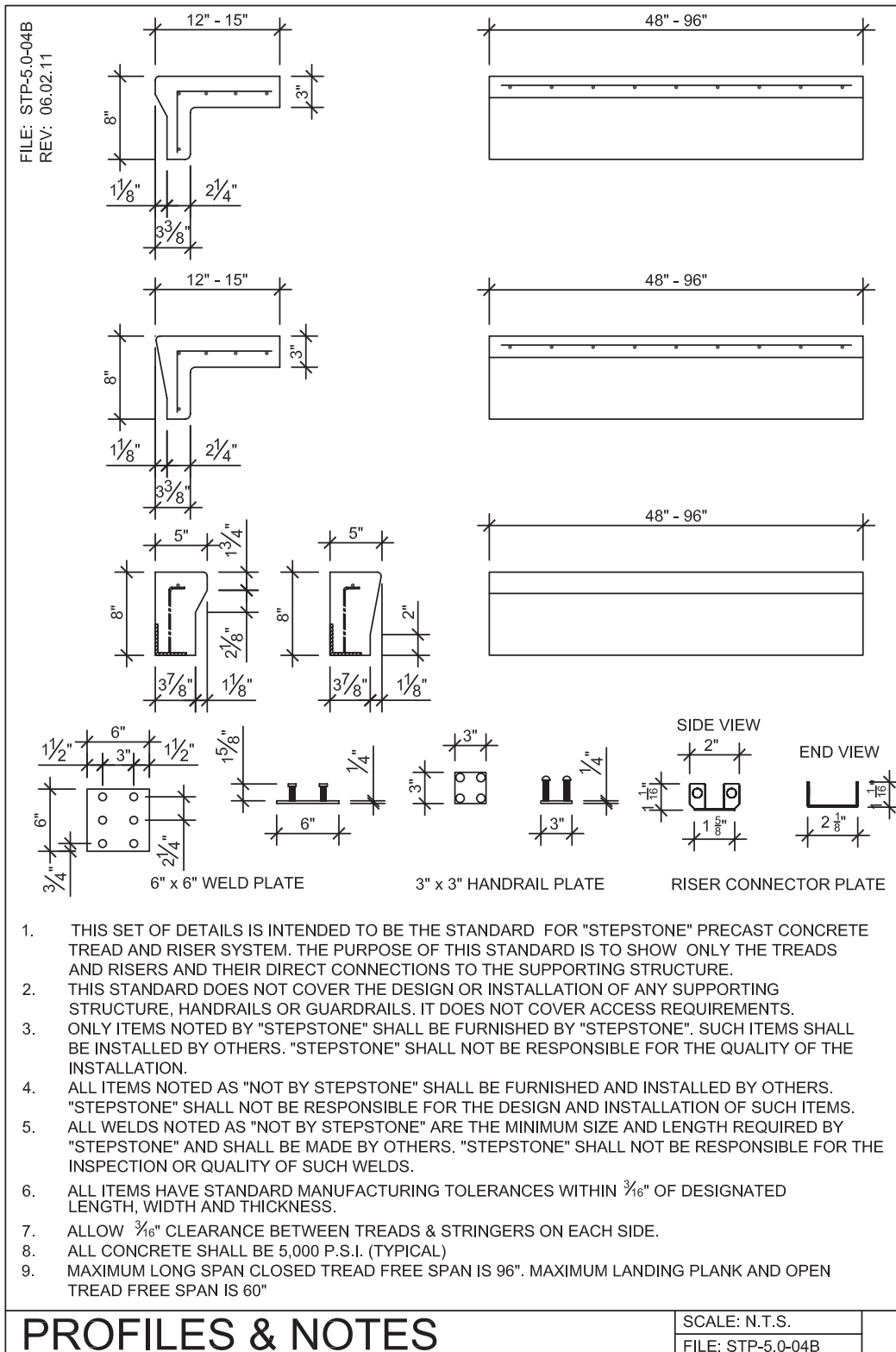
# PROFILES AND NOTES

SCALE: N.T.S.  
FILE: STP-5.0-04A

**MAXIMUM CLOSED RISER TREAD FREE SPAN IS 96"**

**MAXIMUM OPEN RISER TREAD FREE SPAN IS 60"**

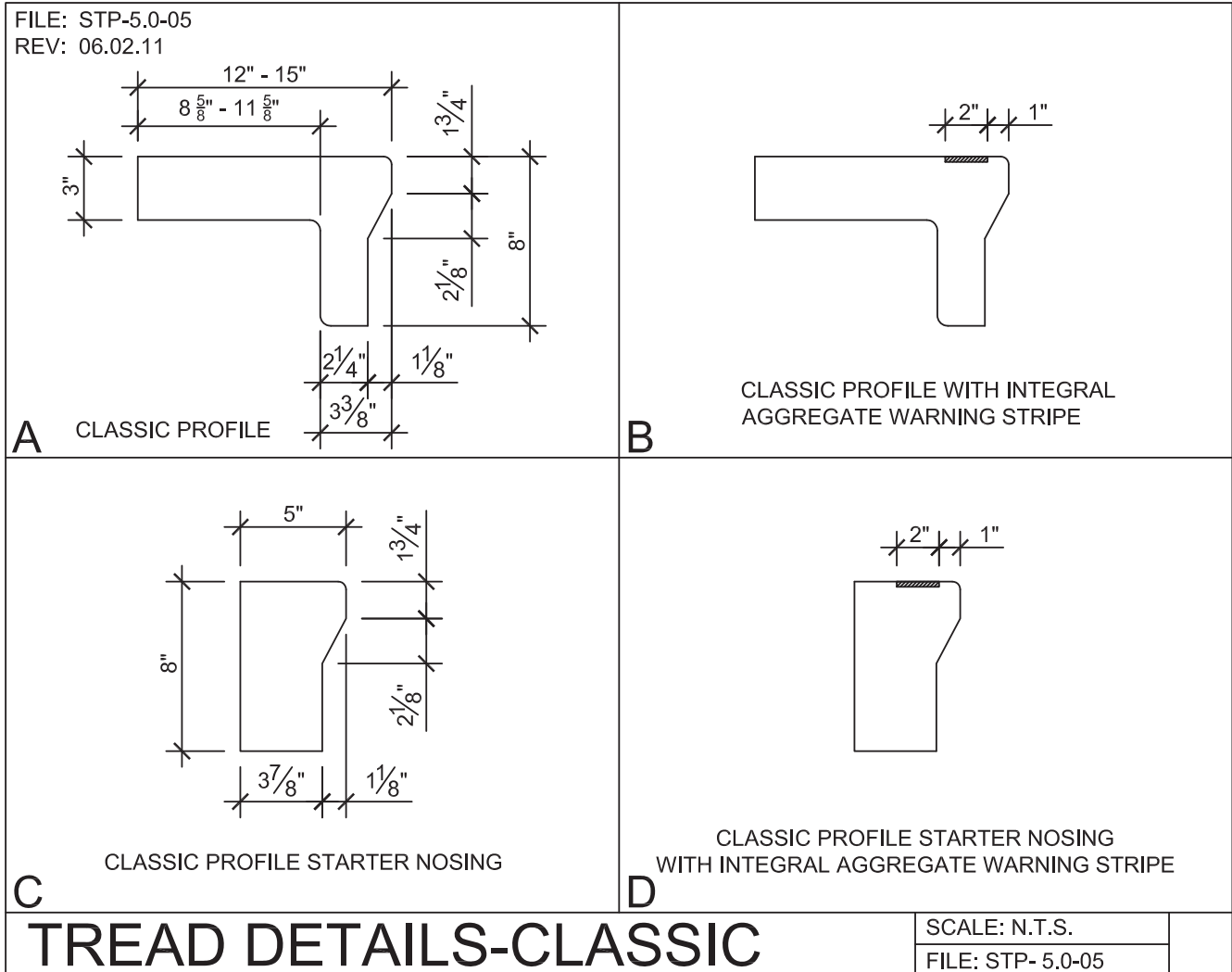
**MAXIMUM LANDING FREE SPAN IS 60"**



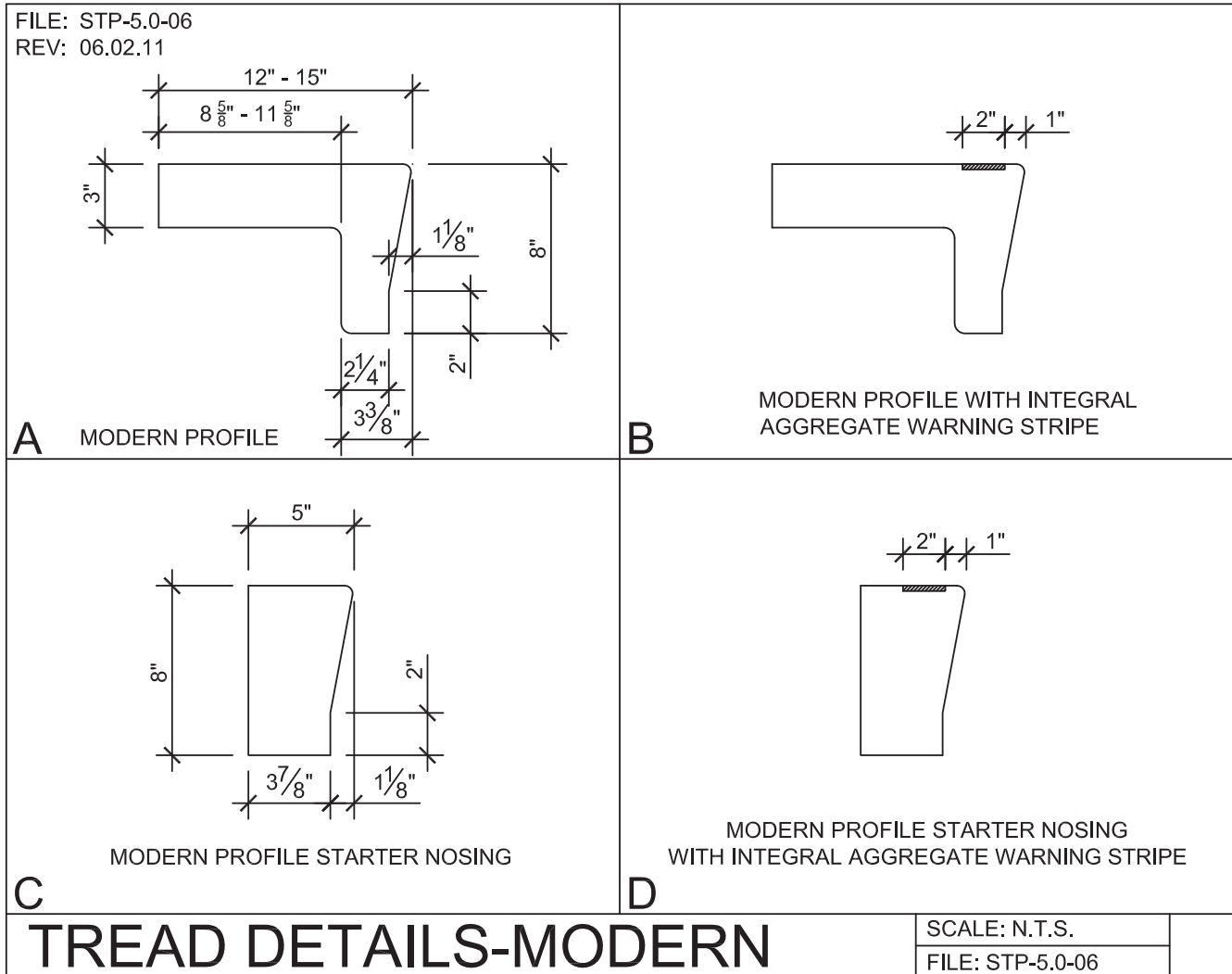
**PROFILES & NOTES**

SCALE: N.T.S.

FILE: STP-5.0-04B

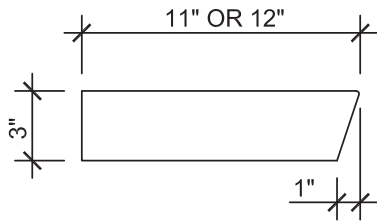


PRECAST CONCRETE TREADS AND LANDINGS SHOWN ON PLANS SHALL BE FROM THE LONG SPAN "STEPTREAD" SYSTEM BY "STEPSTONE, LLC" OF GARDENA, CA FOR STEEL CONSTRUCTION. THE MANUFACTURER IS TO SUPPLY ALL PRECAST CONCRETE "STEPTREAD" SYSTEM PARTS, FEATURING BOTTOM WELD PLATES FOR WELD-ON CONNECTIONS. ALL REINFORCING AND CONNECTION PLATES WILL BE ZINC PLATED. ONLY ITEMS NOTED AS BY "STEPSTONE, LLC" WILL BE FURNISHED BY "STEPSTONE, LLC" SUCH ITEMS ARE TO BE INSTALLED BY OTHERS.



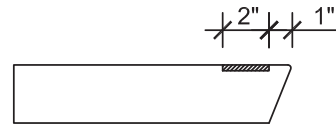
PRECAST CONCRETE TREADS AND LANDINGS SHOWN ON PLANS SHALL BE FROM THE LONG SPAN "STEPTREAD" SYSTEM BY "STEPSTONE, LLC" OF GARDENA, CA FOR STEEL CONSTRUCTION. THE MANUFACTURER IS TO SUPPLY ALL PRECAST CONCRETE "STEPTREAD" SYSTEM PARTS, FEATURING BOTTOM WELD PLATES FOR WELD-ON CONNECTIONS. ALL REINFORCING AND CONNECTION PLATES WILL BE ZINC PLATED. ONLY ITEMS NOTED AS BY "STEPSTONE, LLC" WILL BE FURNISHED BY "STEPSTONE, LLC" SUCH ITEMS ARE TO BE INSTALLED BY OTHERS.

FILE: STP-5.0-07  
REV: 06.02.11



WEDGE PROFILE

A



WEDGE PROFILE WITH INTEGRAL  
AGGREGATE WARNING DETAIL

B

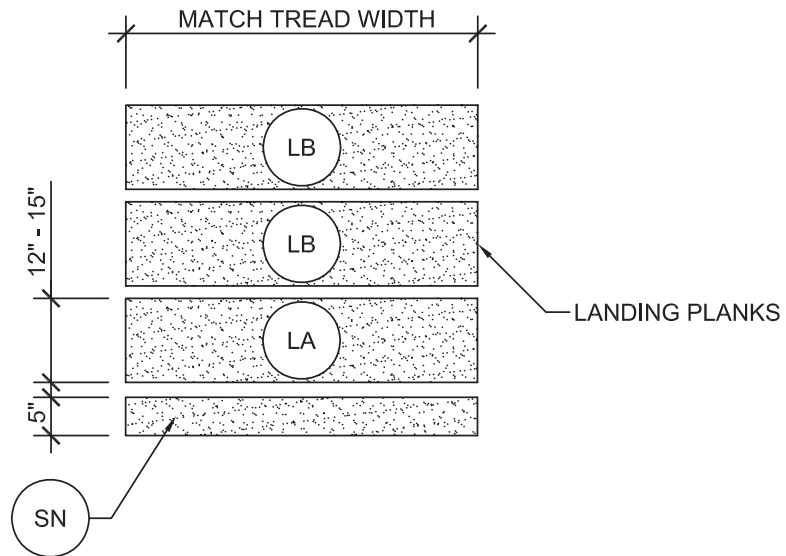
# TREAD DETAILS- WEDGE

SCALE: N.T.S.

FILE: STP-5.0-07

PRECAST CONCRETE TREADS AND LANDINGS SHOWN ON PLANS SHALL BE FROM THE LONG SPAN "STEPTREAD" SYSTEM BY "STEPSTONE, LLC" OF GARDENA, CA FOR STEEL CONSTRUCTION. THE MANUFACTURER IS TO SUPPLY ALL PRECAST CONCRETE "STEPTREAD" SYSTEM PARTS, FEATURING BOTTOM WELD PLATES FOR WELD-ON CONNECTIONS. ALL REINFORCING AND CONNECTION PLATES WILL BE ZINC PLATED. ONLY ITEMS NOTED AS BY "STEPSTONE, LLC" WILL BE FURNISHED BY "STEPSTONE, LLC" SUCH ITEMS ARE TO BE INSTALLED BY OTHERS.

FILE: STP-5.0-08  
REV: 08.30.12



- LA** LANDING PLANK "A"
- LB** LANDING PLANK "B"
- T** TREAD
- SN** STARTER NOSING (FOR CLOSED RISERS ONLY)

- NOTES:**
1. ALLOW 1/8" TOLERANCE BETWEEN LANDING PLANKS.
  2. MAXIMUM SPAN IS 96" FOR LONG SPAN CLOSED RISER TREADS.
  3. MAXIMUM SPAN IS 60" FOR OPEN RISER TREADS AND LANDING PLANKS.

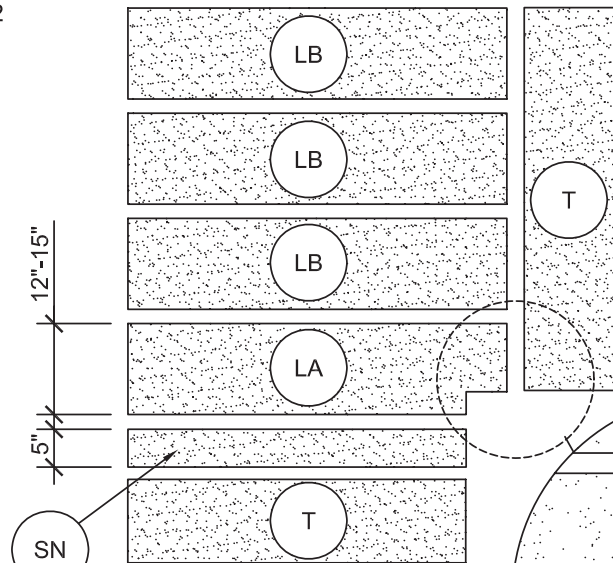
**STRAIGHT STAIR INTERMEDIATE/ TOP LANDING**

SCALE: N.T.S.
FILE: STP-5.0-08

PRECAST CONCRETE TREADS AND LANDINGS SHOWN ON PLANS SHALL BE FROM THE LONG SPAN "STEPTREAD" SYSTEM BY "STEPSTONE, LLC" OF GARDENA, CA FOR STEEL CONSTRUCTION. THE MANUFACTURER IS TO SUPPLY ALL PRECAST CONCRETE "STEPTREAD" SYSTEM PARTS, FEATURING BOTTOM WELD PLATES FOR WELD-ON CONNECTIONS. ALL REINFORCING AND CONNECTION PLATES WILL BE ZINC PLATED. ONLY ITEMS NOTED AS BY "STEPSTONE, LLC" WILL BE FURNISHED BY "STEPSTONE, LLC" SUCH ITEMS ARE TO BE INSTALLED BY OTHERS.



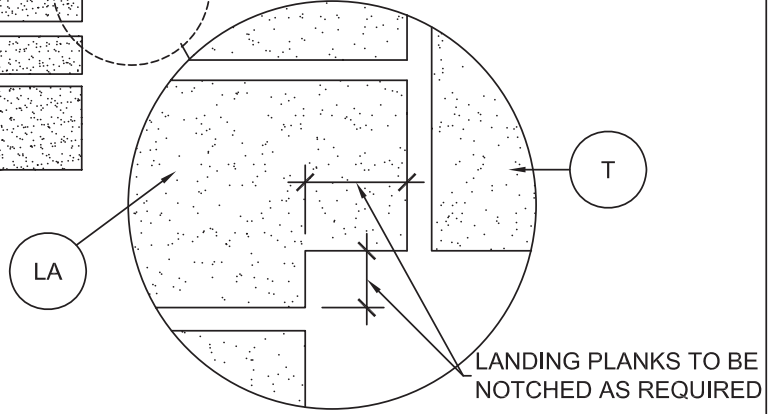
FILE: STP-5.0-09  
REV: 08.30.12



**NOTES:**

1. ALLOW 1/8" TOLERANCE BETWEEN LANDING PLANKS.
2. MAXIMUM SPAN IS 96" FOR LONG SPAN CLOSED RISER TREADS.
3. MAXIMUM SPAN IS 60" FOR OPEN RISER TREADS AND LANDING PLANKS.

- LA LANDING PLANK "A"
- LB LANDING PLANK "B"
- T TREAD
- SN STARTER NOSING (FOR CLOSED RISERS ONLY)



STRINGER NOTCH DETAIL (N.T.S.)

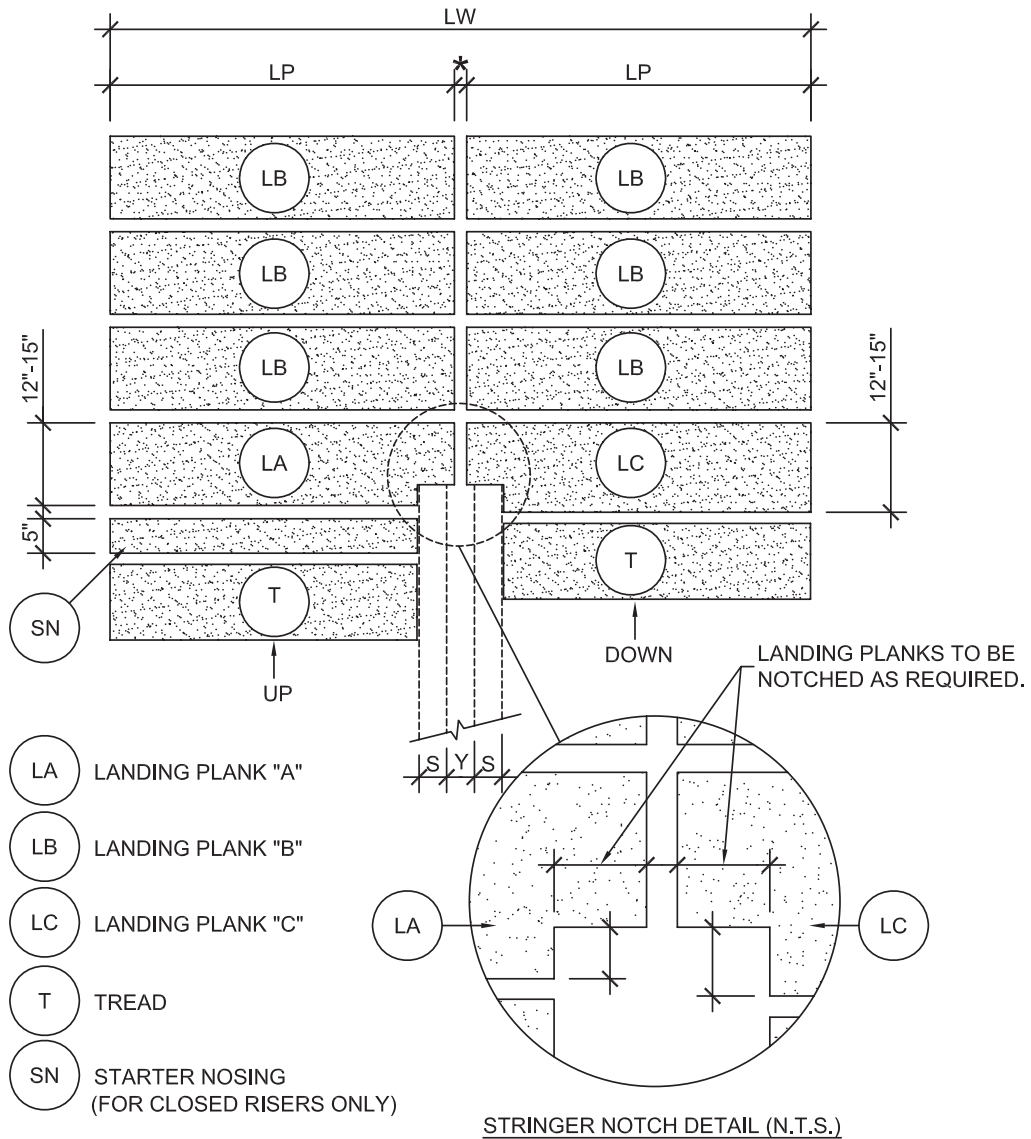
**90° LANDING**

SCALE: N.T.S.
FILE: STP-5.0-09

FILE: STP-5.0-12A  
REV: 08.30.12

**NOTES:**

1. ALLOW 1/8" TOLERANCE BETWEEN LANDING PLANKS.
2. MAXIMUM SPAN IS 96" FOR LONG SPAN CLOSED RISER TREADS.
3. MAXIMUM SPAN IS 60" FOR OPEN RISER TREADS AND LANDING PLANKS.



**180° LANDING**

SCALE: N.T.S.  
FILE: STP-5.0-12A

FILE: STP-5.0-12B  
REV: 08.30.12

MAXIMUM "L.S. CLOSED RISER" TREAD FREE SPAN IS 96"  
MAXIMUM "L.S. OPEN RISER" TREAD FREE SPAN IS 60"  
MAXIMUM L.S. LANDING PLANK FREE SPAN IS 60"

LANDING SCHEDULE		
TREAD LENGTH (T)	LANDING PLANK LENGTH (LP)	LANDING WIDTH OUTSIDE DIM. (LW)
60"	$LP = T + S + \frac{1}{2}Y$	$LW = 2(LP) + **$
66"		
72"		
78"		
84"		
90"		
96"		

\*\* ALL ITEMS HAVE STANDARD MANUFACTURING TOLERANCES.  
\* ALLOW  $\frac{1}{8}$ " TOLERANCE BETWEEN LANDING PLANKS.  
Y = SPACE BETWEEN STRINGERS.  
S = STRINGERS

EXAMPLE:

T=36", S=3", & Y=6"

THEN:

$LP = 36 + 3 + \frac{1}{2}(6) = 42"$   
LP=42"+ \*\*

LW=2(42)+ \*\*

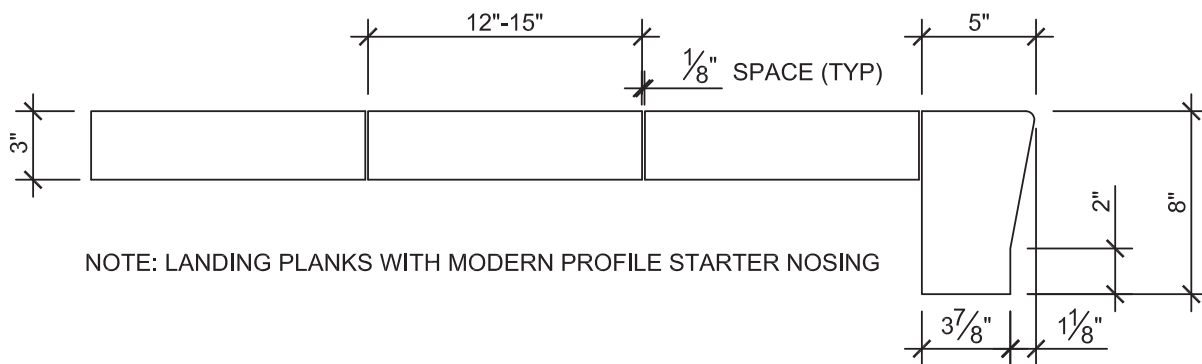
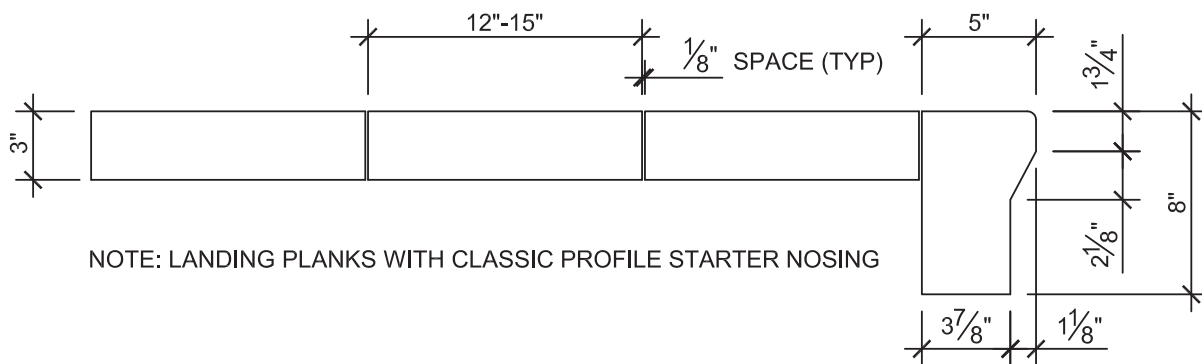
LW=84"+ \*\*

**180° LANDING**

SCALE: N.T.S.

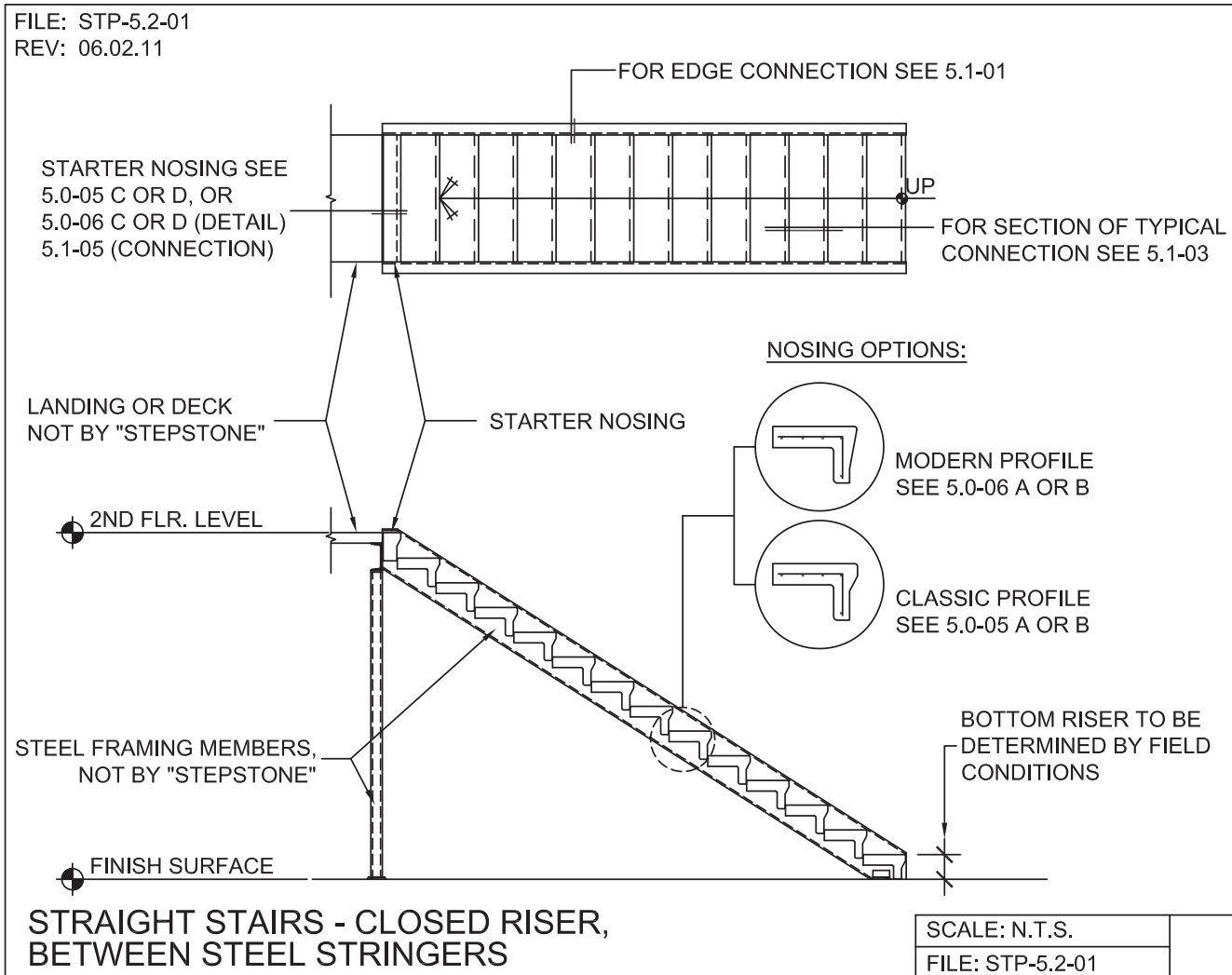
FILE: STP-5.0-12B

FILE: STP-5.0-13  
REV: 06.02.11

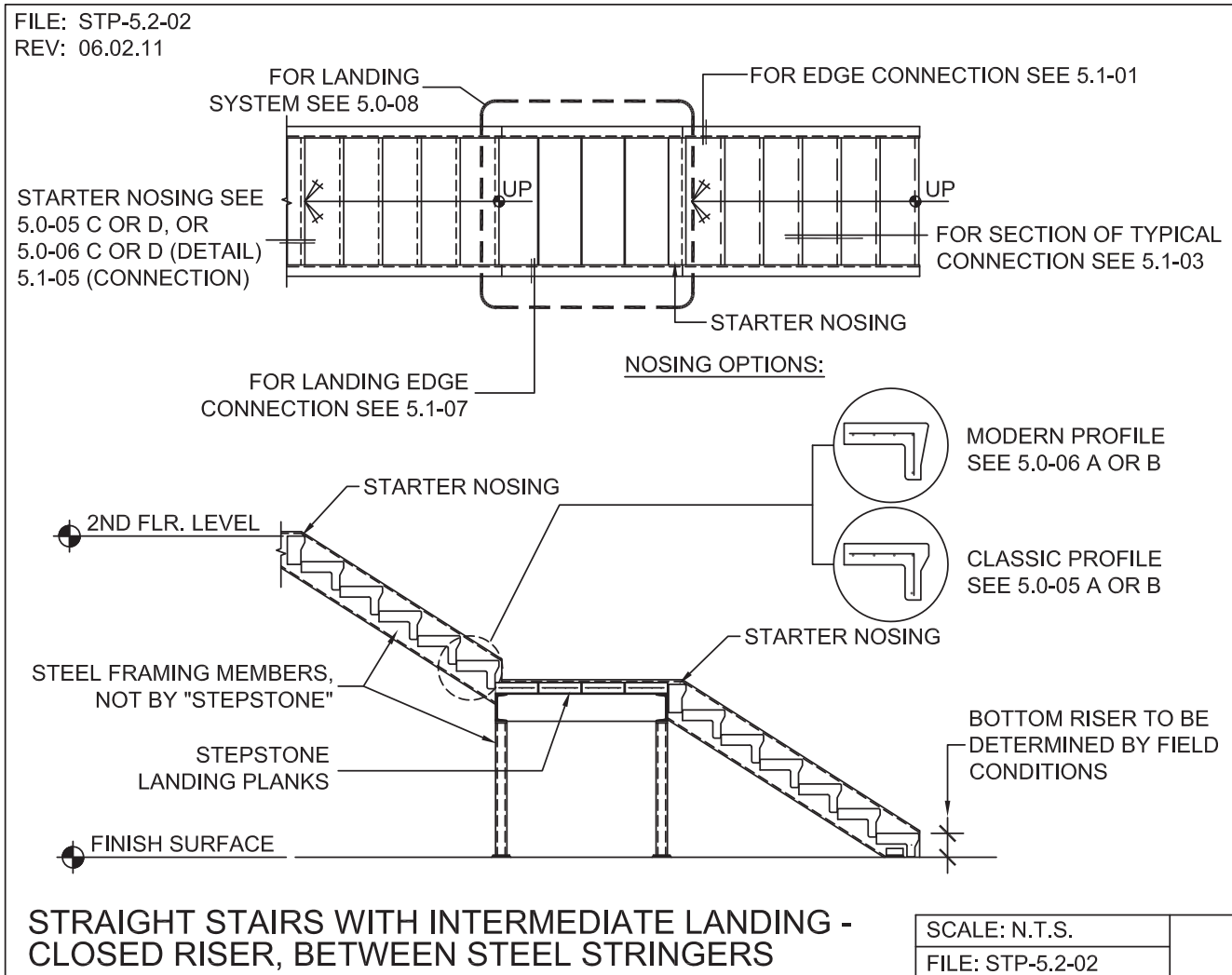


**STRAIGHT LANDING - SECTION**

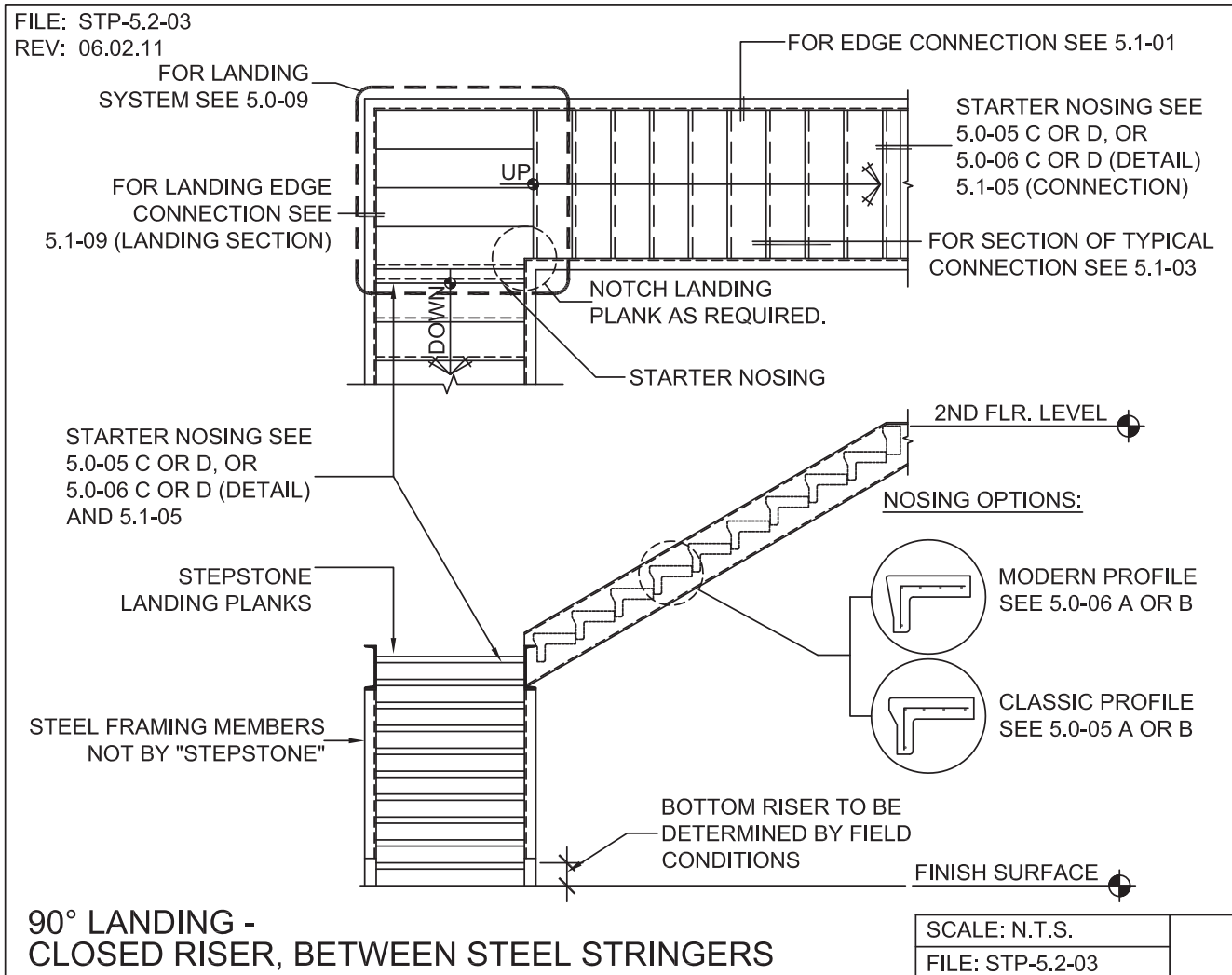
SCALE: N.T.S.  
FILE: STP-5.0-13



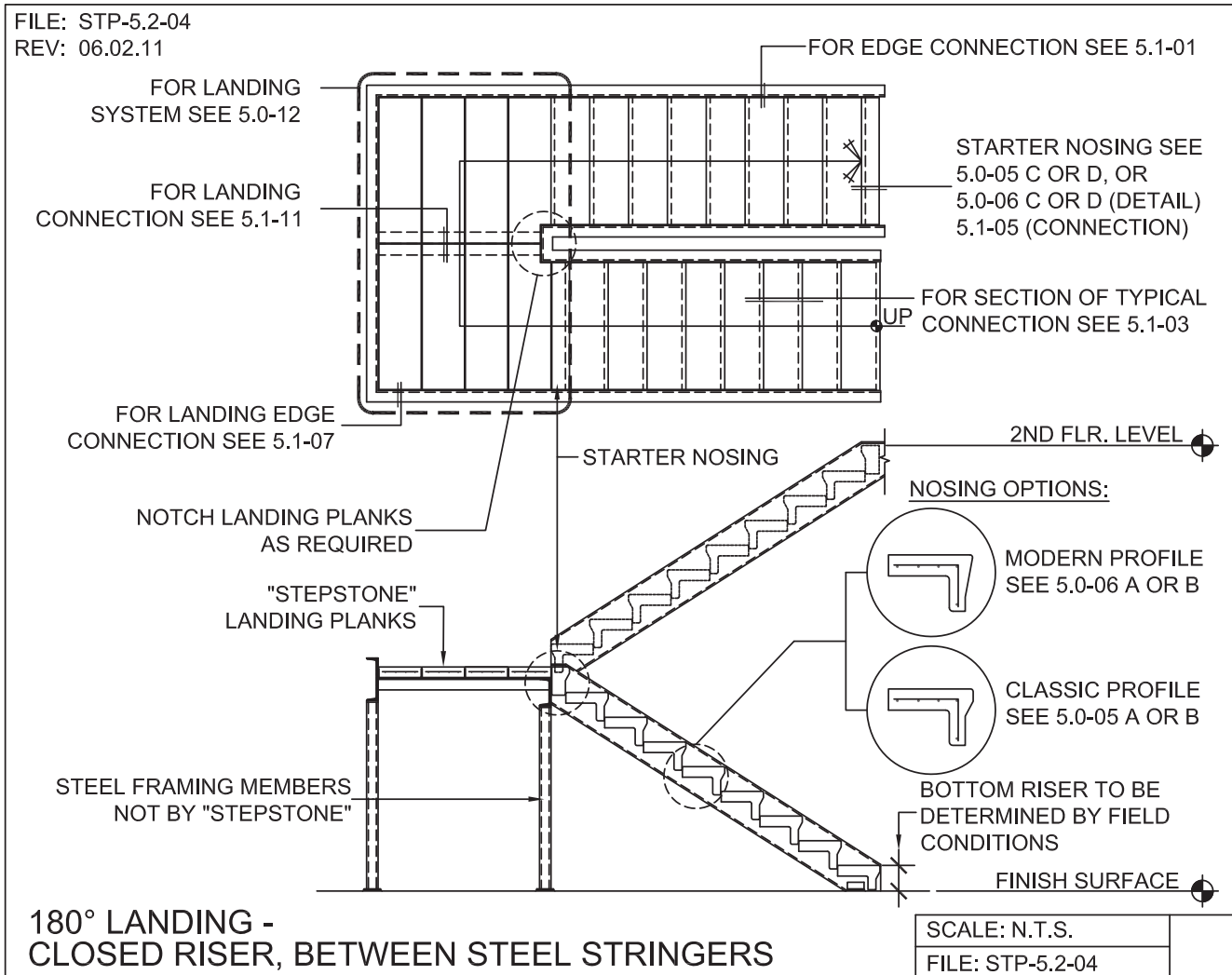
PRECAST CONCRETE TREADS AND LANDINGS SHOWN ON PLANS SHALL BE FROM THE LONG SPAN "STEPTREAD" SYSTEM BY "STEPSTONE, LLC" OF GARDENA, CA FOR STEEL CONSTRUCTION. THE MANUFACTURER IS TO SUPPLY ALL PRECAST CONCRETE "STEPTREAD" SYSTEM PARTS, FEATURING BOTTOM WELD PLATES FOR WELD-ON CONNECTIONS. ALL REINFORCING AND CONNECTION PLATES WILL BE ZINC PLATED. ONLY ITEMS NOTED AS BY "STEPSTONE, LLC" WILL BE FURNISHED BY "STEPSTONE, LLC" SUCH ITEMS ARE TO BE INSTALLED BY OTHERS.



PRECAST CONCRETE TREADS AND LANDINGS SHOWN ON PLANS SHALL BE FROM THE LONG SPAN "STEPTREAD" SYSTEM BY "STEPSTONE, LLC" OF GARDENA, CA FOR STEEL CONSTRUCTION. THE MANUFACTURER IS TO SUPPLY ALL PRECAST CONCRETE "STEPTREAD" SYSTEM PARTS, FEATURING BOTTOM WELD PLATES FOR WELD-ON CONNECTIONS. ALL REINFORCING AND CONNECTION PLATES WILL BE ZINC PLATED. ONLY ITEMS NOTED AS BY "STEPSTONE, LLC" WILL BE FURNISHED BY "STEPSTONE, LLC" SUCH ITEMS ARE TO BE INSTALLED BY OTHERS.

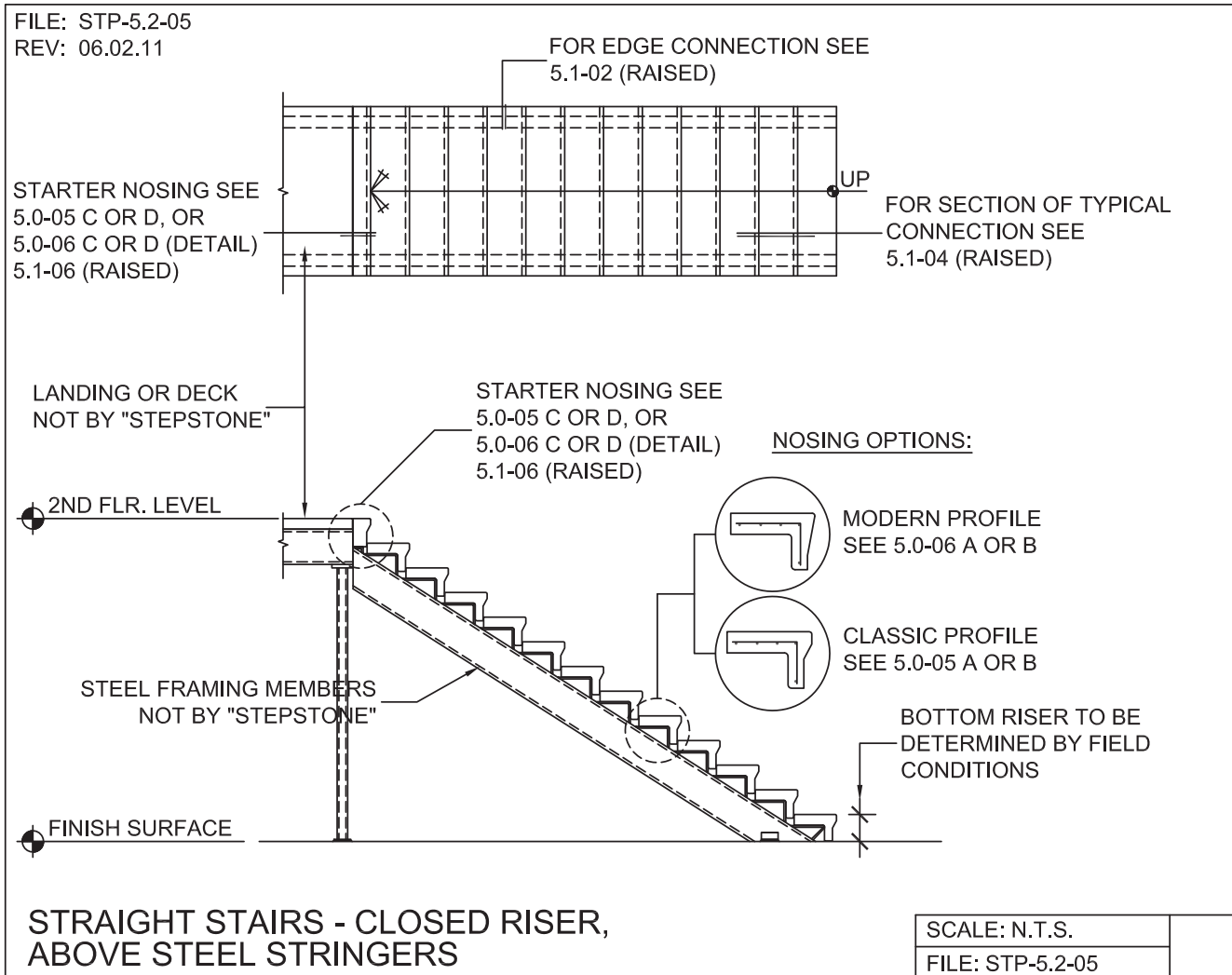


PRECAST CONCRETE TREADS AND LANDINGS SHOWN ON PLANS SHALL BE FROM THE LONG SPAN "STEPTREAD" SYSTEM BY "STEPSTONE, LLC" OF GARDENA, CA FOR STEEL CONSTRUCTION. THE MANUFACTURER IS TO SUPPLY ALL PRECAST CONCRETE "STEPTREAD" SYSTEM PARTS, FEATURING BOTTOM WELD PLATES FOR WELD-ON CONNECTIONS. ALL REINFORCING AND CONNECTION PLATES WILL BE ZINC PLATED. ONLY ITEMS NOTED AS BY "STEPSTONE, LLC" WILL BE FURNISHED BY "STEPSTONE, LLC" SUCH ITEMS ARE TO BE INSTALLED BY OTHERS.

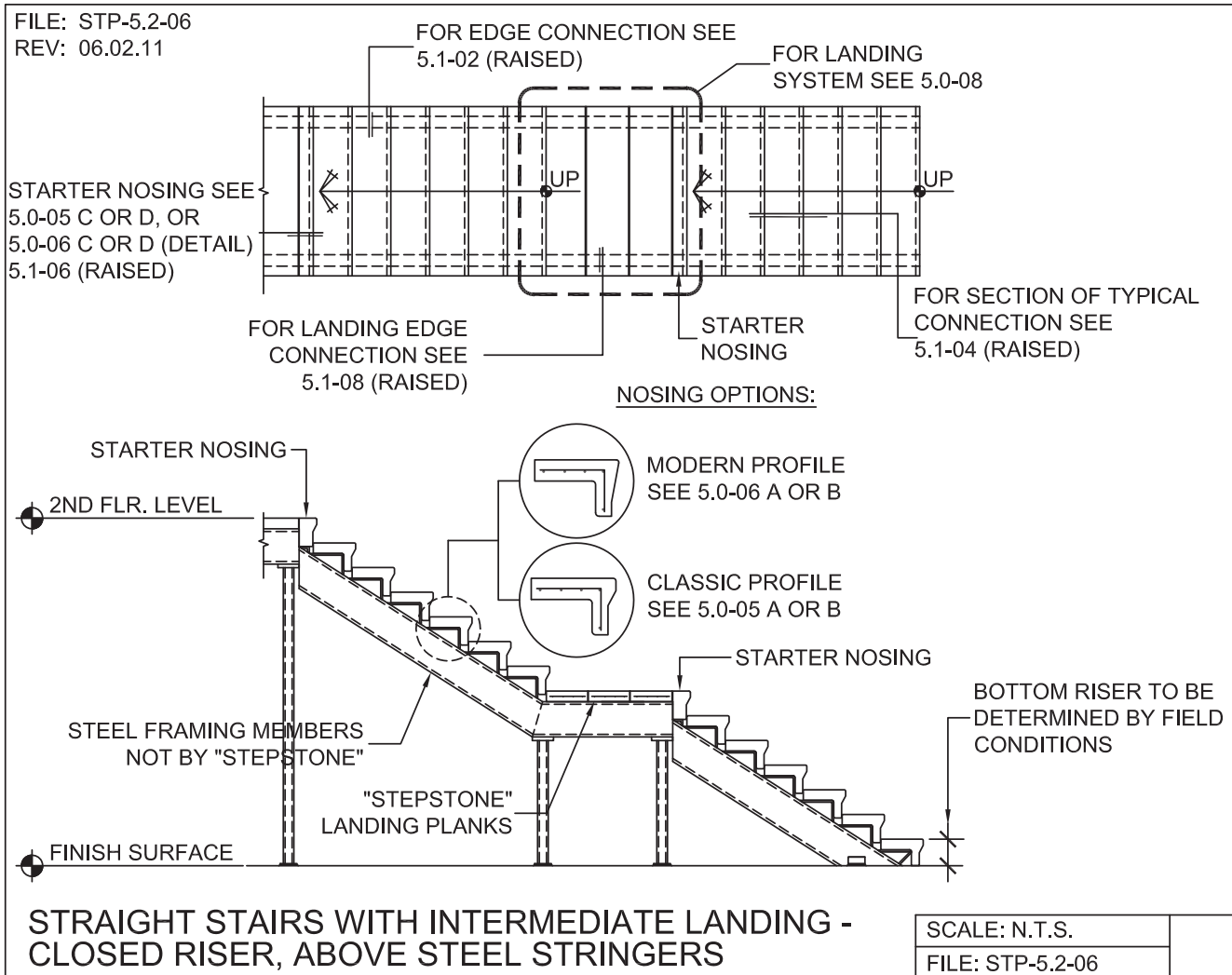


PRECAST CONCRETE TREADS AND LANDINGS SHOWN ON PLANS SHALL BE FROM THE LONG SPAN "STEPTREAD" SYSTEM BY "STEPSTONE, LLC" OF GARDENA, CA FOR STEEL CONSTRUCTION. THE MANUFACTURER IS TO SUPPLY ALL PRECAST CONCRETE "STEPTREAD" SYSTEM PARTS, FEATURING BOTTOM WELD PLATES FOR WELD-ON CONNECTIONS. ALL REINFORCING AND CONNECTION PLATES WILL BE ZINC PLATED. ONLY ITEMS NOTED AS BY "STEPSTONE, LLC" WILL BE FURNISHED BY "STEPSTONE, LLC" SUCH ITEMS ARE TO BE INSTALLED BY OTHERS.

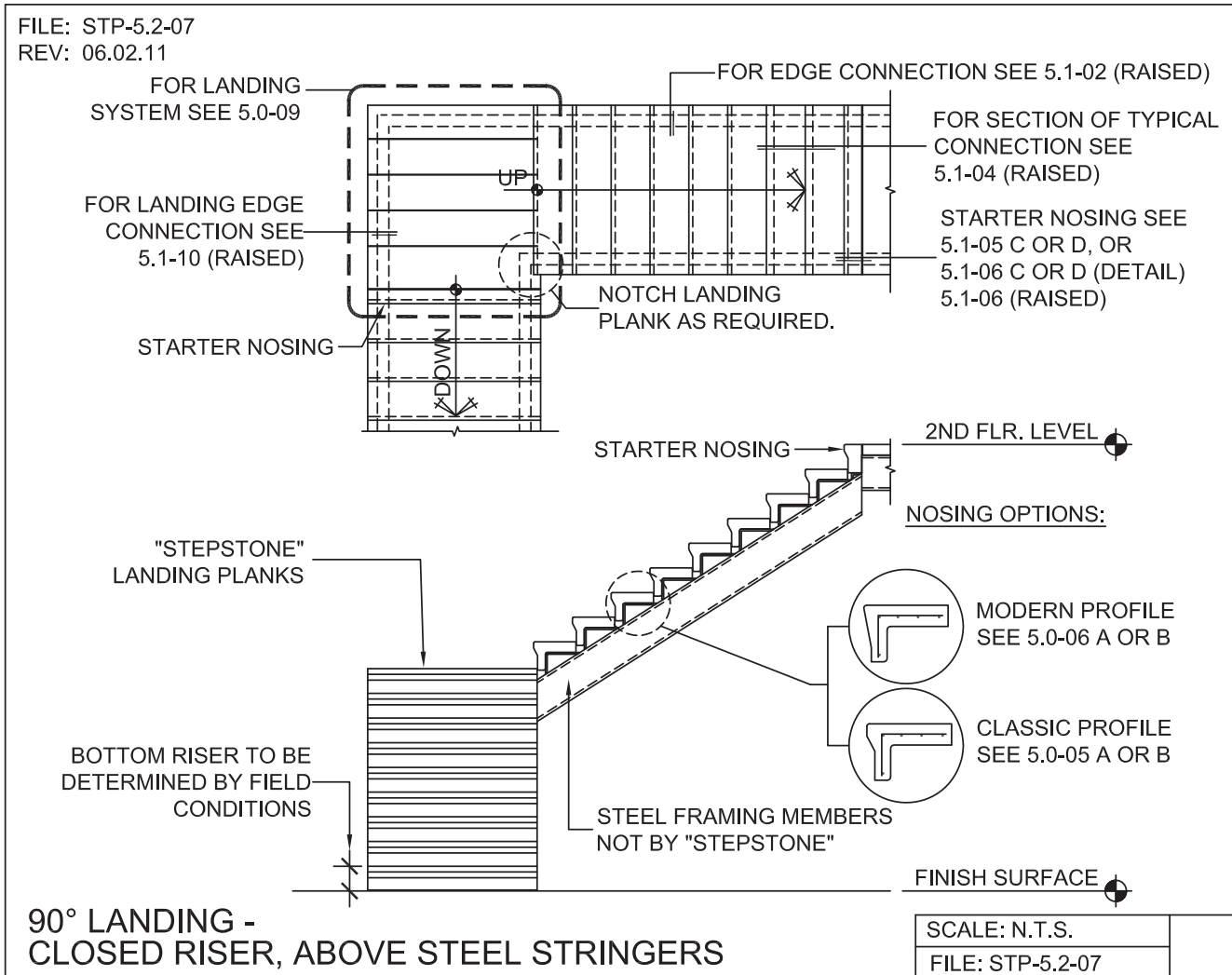




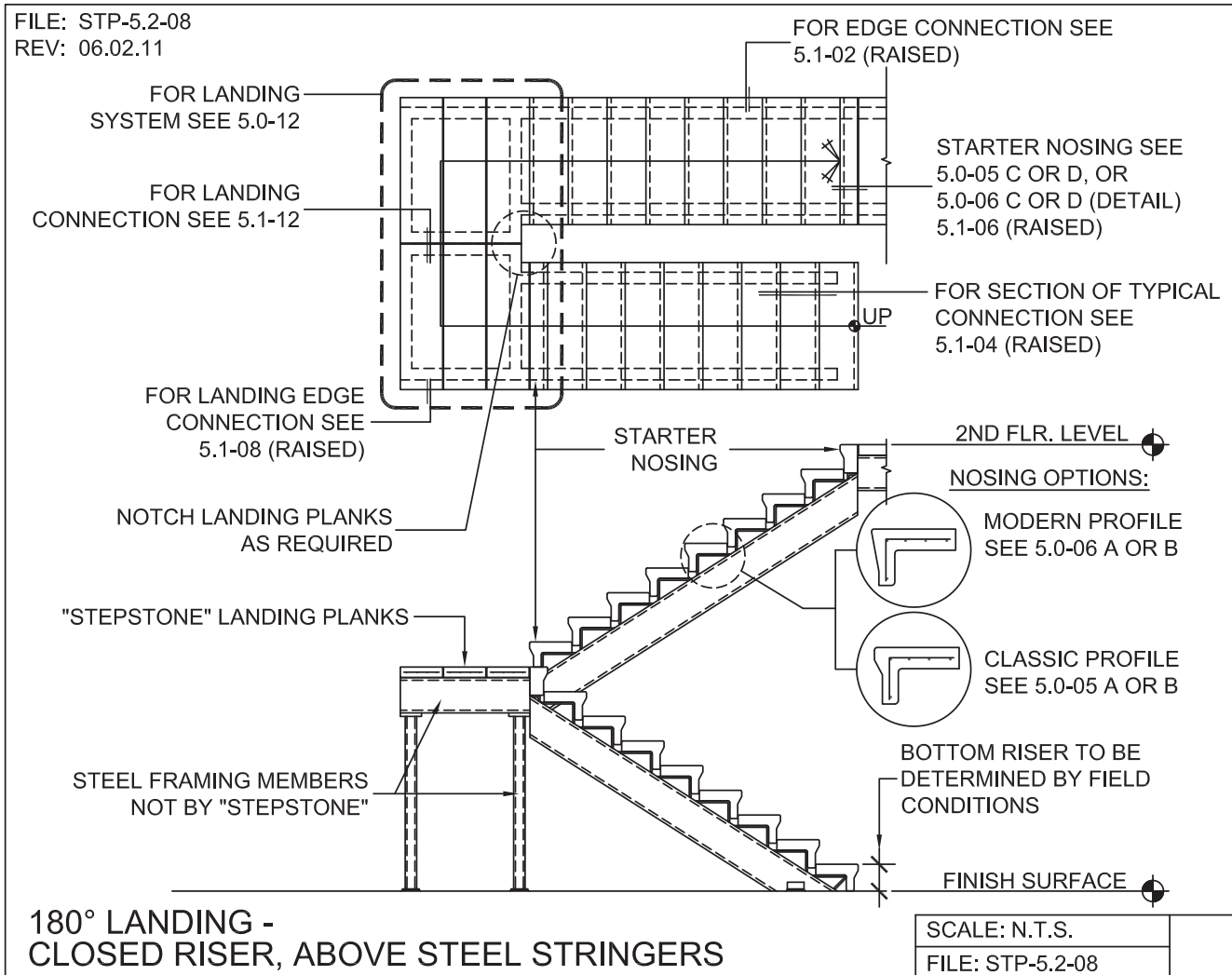
PRECAST CONCRETE TREADS AND LANDINGS SHOWN ON PLANS SHALL BE FROM THE LONG SPAN "STEPTREAD" SYSTEM BY "STEPSTONE, LLC" OF GARDENA, CA FOR STEEL CONSTRUCTION. THE MANUFACTURER IS TO SUPPLY ALL PRECAST CONCRETE "STEPTREAD" SYSTEM PARTS, FEATURING BOTTOM WELD PLATES FOR WELD-ON CONNECTIONS. ALL REINFORCING AND CONNECTION PLATES WILL BE ZINC PLATED. ONLY ITEMS NOTED AS BY "STEPSTONE, LLC" WILL BE FURNISHED BY "STEPSTONE, LLC" SUCH ITEMS ARE TO BE INSTALLED BY OTHERS.



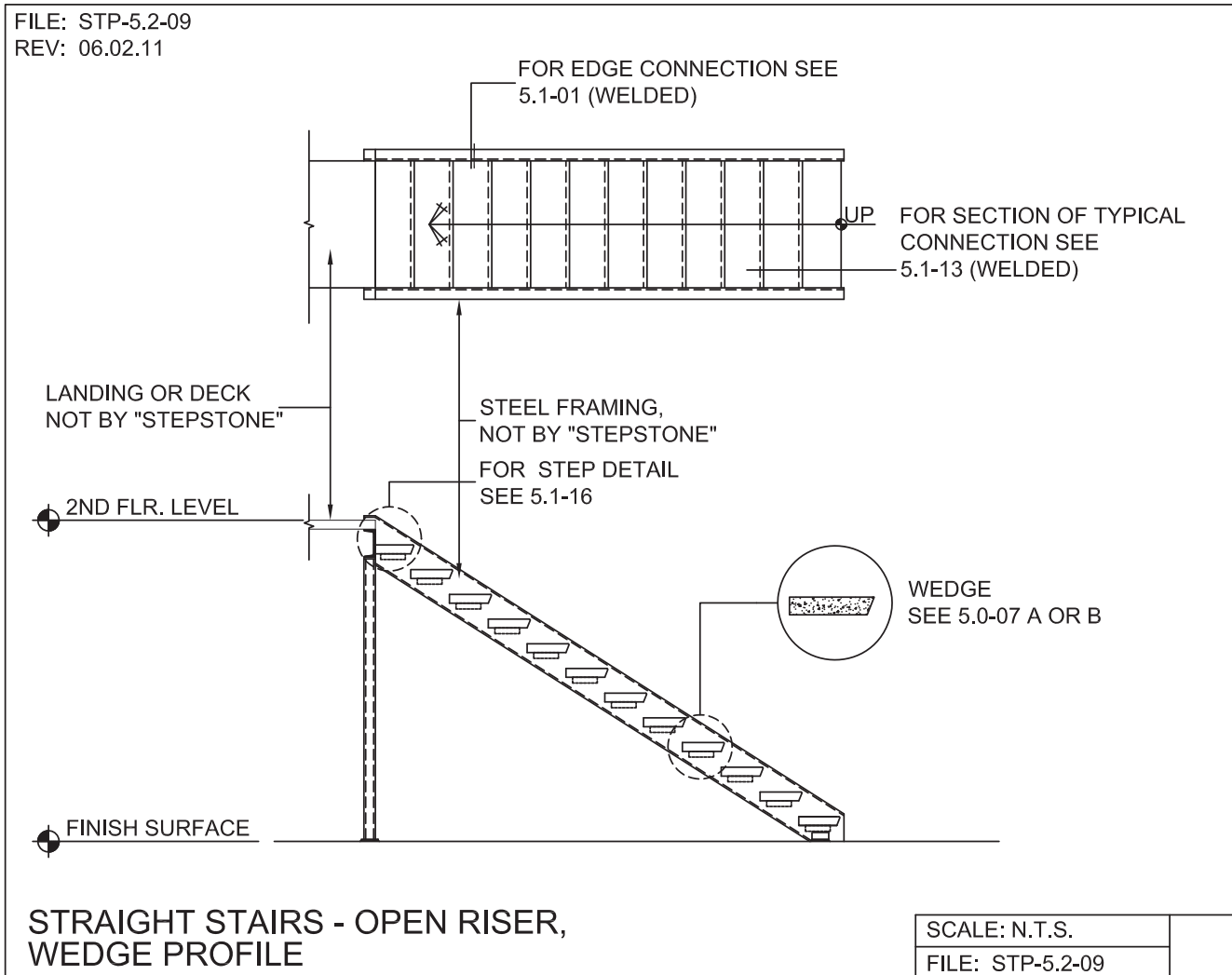
PRECAST CONCRETE TREADS AND LANDINGS SHOWN ON PLANS SHALL BE FROM THE LONG SPAN "STEPTREAD" SYSTEM BY "STEPSTONE, LLC" OF GARDENA, CA FOR STEEL CONSTRUCTION. THE MANUFACTURER IS TO SUPPLY ALL PRECAST CONCRETE "STEPTREAD" SYSTEM PARTS, FEATURING BOTTOM WELD PLATES FOR WELD-ON CONNECTIONS. ALL REINFORCING AND CONNECTION PLATES WILL BE ZINC PLATED. ONLY ITEMS NOTED AS BY "STEPSTONE, LLC" WILL BE FURNISHED BY "STEPSTONE, LLC" SUCH ITEMS ARE TO BE INSTALLED BY OTHERS.



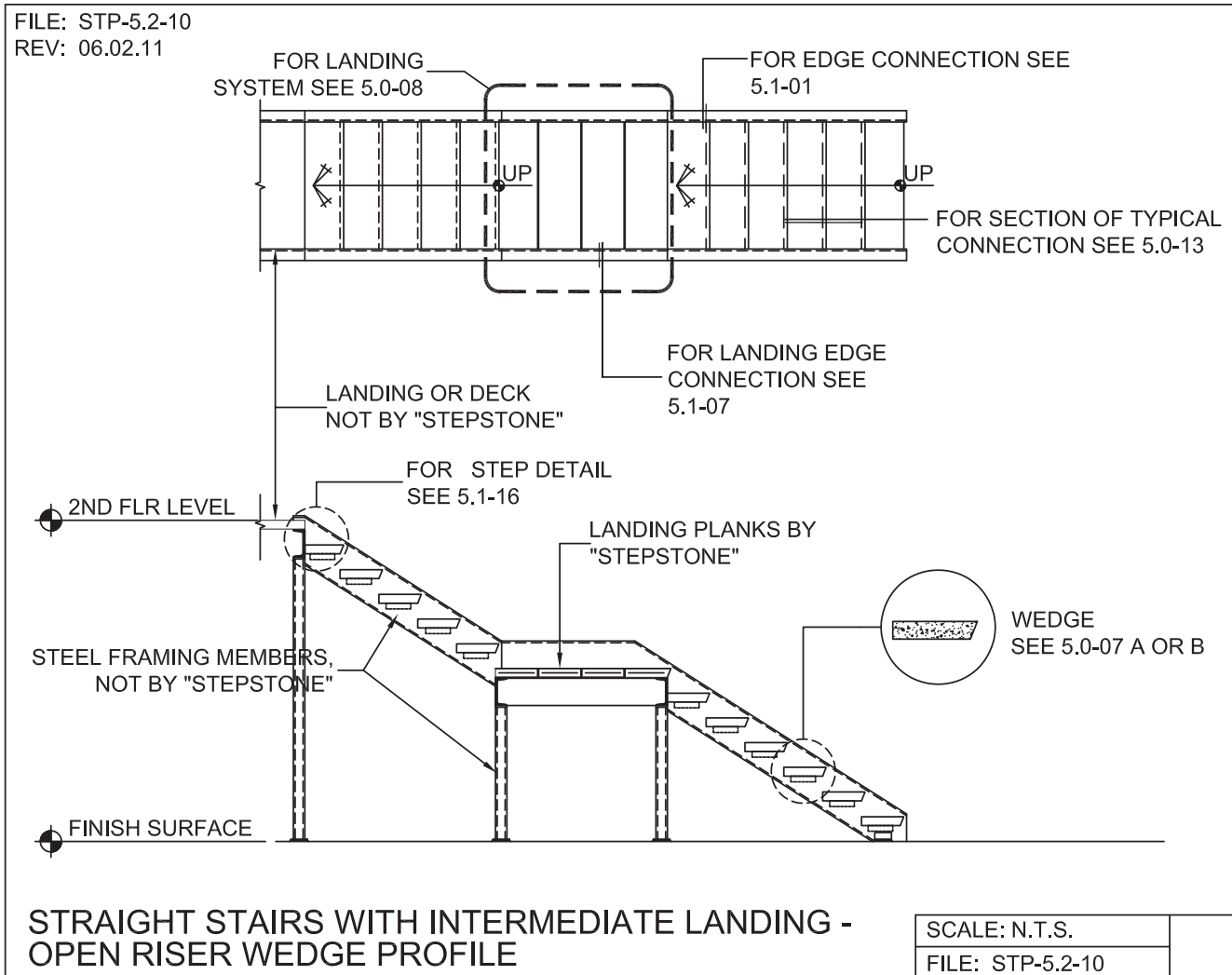
PRECAST CONCRETE TREADS AND LANDINGS SHOWN ON PLANS SHALL BE FROM THE LONG SPAN "STEPTREAD" SYSTEM BY "STEPSTONE, LLC" OF GARDENA, CA FOR STEEL CONSTRUCTION. THE MANUFACTURER IS TO SUPPLY ALL PRECAST CONCRETE "STEPTREAD" SYSTEM PARTS, FEATURING BOTTOM WELD PLATES FOR WELD-ON CONNECTIONS. ALL REINFORCING AND CONNECTION PLATES WILL BE ZINC PLATED. ONLY ITEMS NOTED AS BY "STEPSTONE, LLC" WILL BE FURNISHED BY "STEPSTONE, LLC" SUCH ITEMS ARE TO BE INSTALLED BY OTHERS.



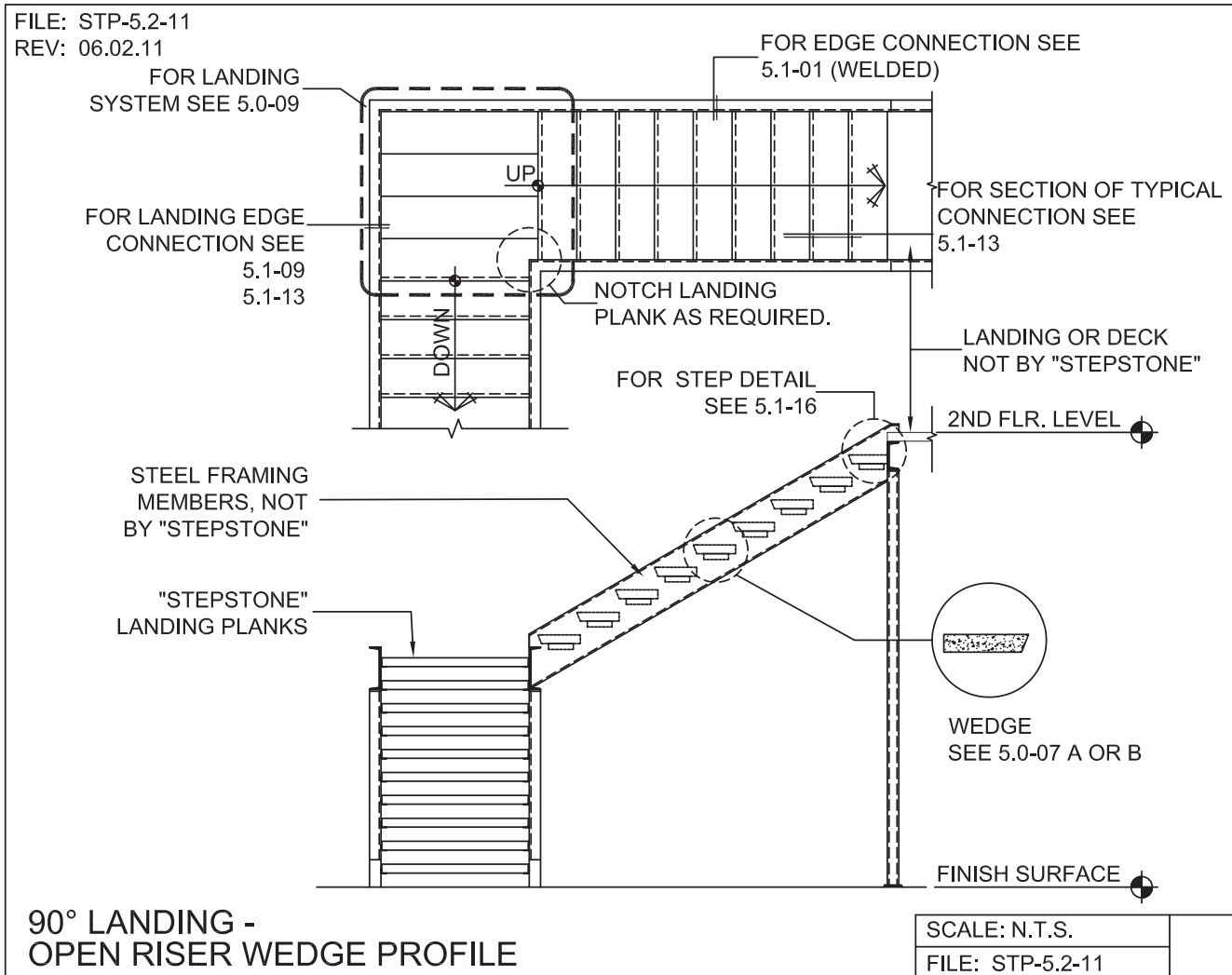
PRECAST CONCRETE TREADS AND LANDINGS SHOWN ON PLANS SHALL BE FROM THE LONG SPAN "STEPTREAD" SYSTEM BY "STEPSTONE, LLC" OF GARDENA, CA FOR STEEL CONSTRUCTION. THE MANUFACTURER IS TO SUPPLY ALL PRECAST CONCRETE "STEPTREAD" SYSTEM PARTS, FEATURING BOTTOM WELD PLATES FOR WELD-ON CONNECTIONS. ALL REINFORCING AND CONNECTION PLATES WILL BE ZINC PLATED. ONLY ITEMS NOTED AS BY "STEPSTONE, LLC" WILL BE FURNISHED BY "STEPSTONE, LLC" SUCH ITEMS ARE TO BE INSTALLED BY OTHERS.



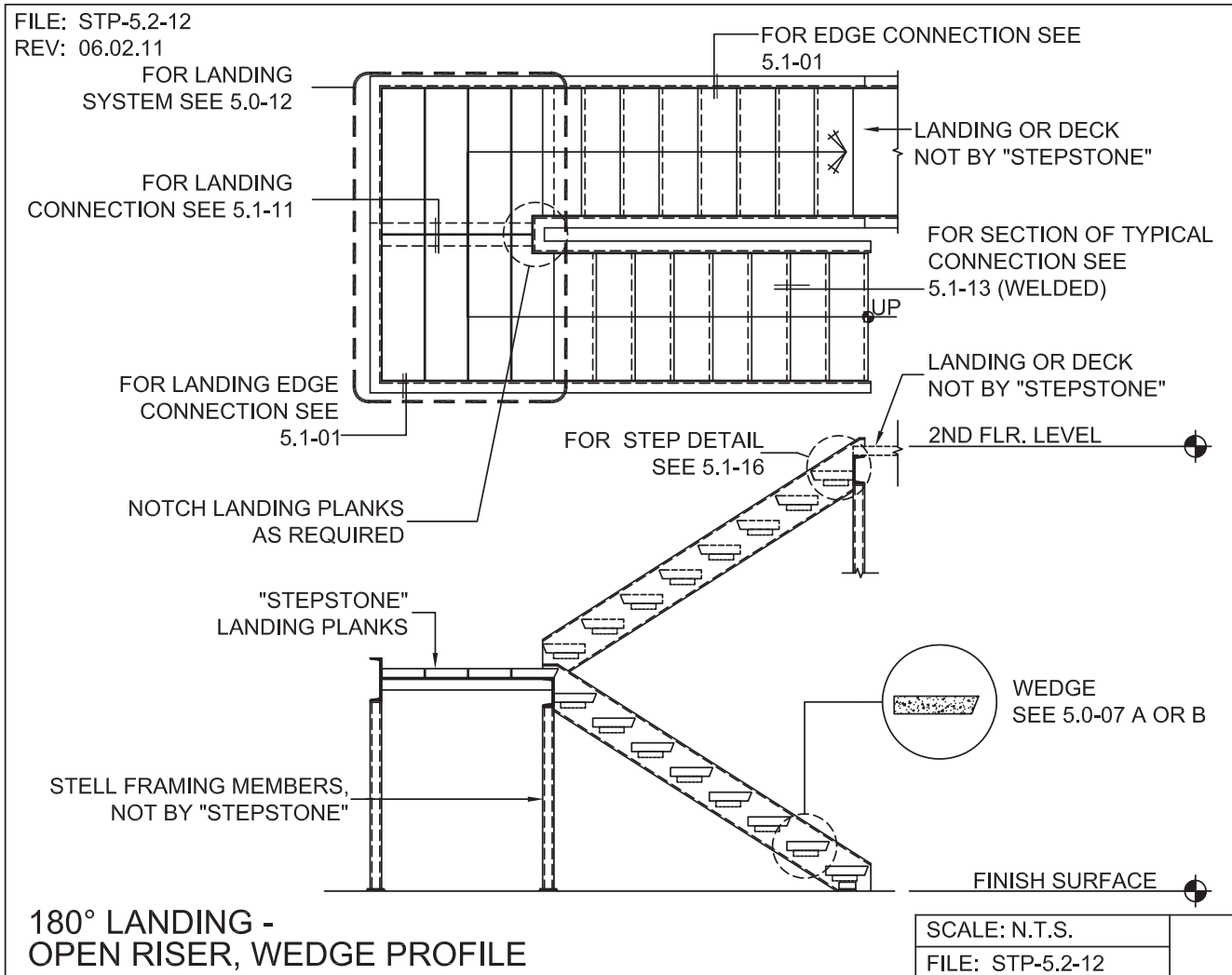
PRECAST CONCRETE TREADS AND LANDINGS SHOWN ON PLANS SHALL BE FROM THE LONG SPAN "STEPTREAD" SYSTEM BY "STEPSTONE, LLC" OF GARDENA, CA FOR STEEL CONSTRUCTION. THE MANUFACTURER IS TO SUPPLY ALL PRECAST CONCRETE "STEPTREAD" SYSTEM PARTS, FEATURING BOTTOM WELD PLATES FOR WELD-ON CONNECTIONS. ALL REINFORCING AND CONNECTION PLATES WILL BE ZINC PLATED. ONLY ITEMS NOTED AS BY "STEPSTONE, LLC" WILL BE FURNISHED BY "STEPSTONE, LLC" SUCH ITEMS ARE TO BE INSTALLED BY OTHERS.



PRECAST CONCRETE TREADS AND LANDINGS SHOWN ON PLANS SHALL BE FROM THE LONG SPAN "STEPTREAD" SYSTEM BY "STEPSTONE, LLC" OF GARDENA, CA FOR STEEL CONSTRUCTION. THE MANUFACTURER IS TO SUPPLY ALL PRECAST CONCRETE "STEPTREAD" SYSTEM PARTS, FEATURING BOTTOM WELD PLATES FOR WELD-ON CONNECTIONS. ALL REINFORCING AND CONNECTION PLATES WILL BE ZINC PLATED. ONLY ITEMS NOTED AS BY "STEPSTONE, LLC" WILL BE FURNISHED BY "STEPSTONE, LLC" SUCH ITEMS ARE TO BE INSTALLED BY OTHERS.

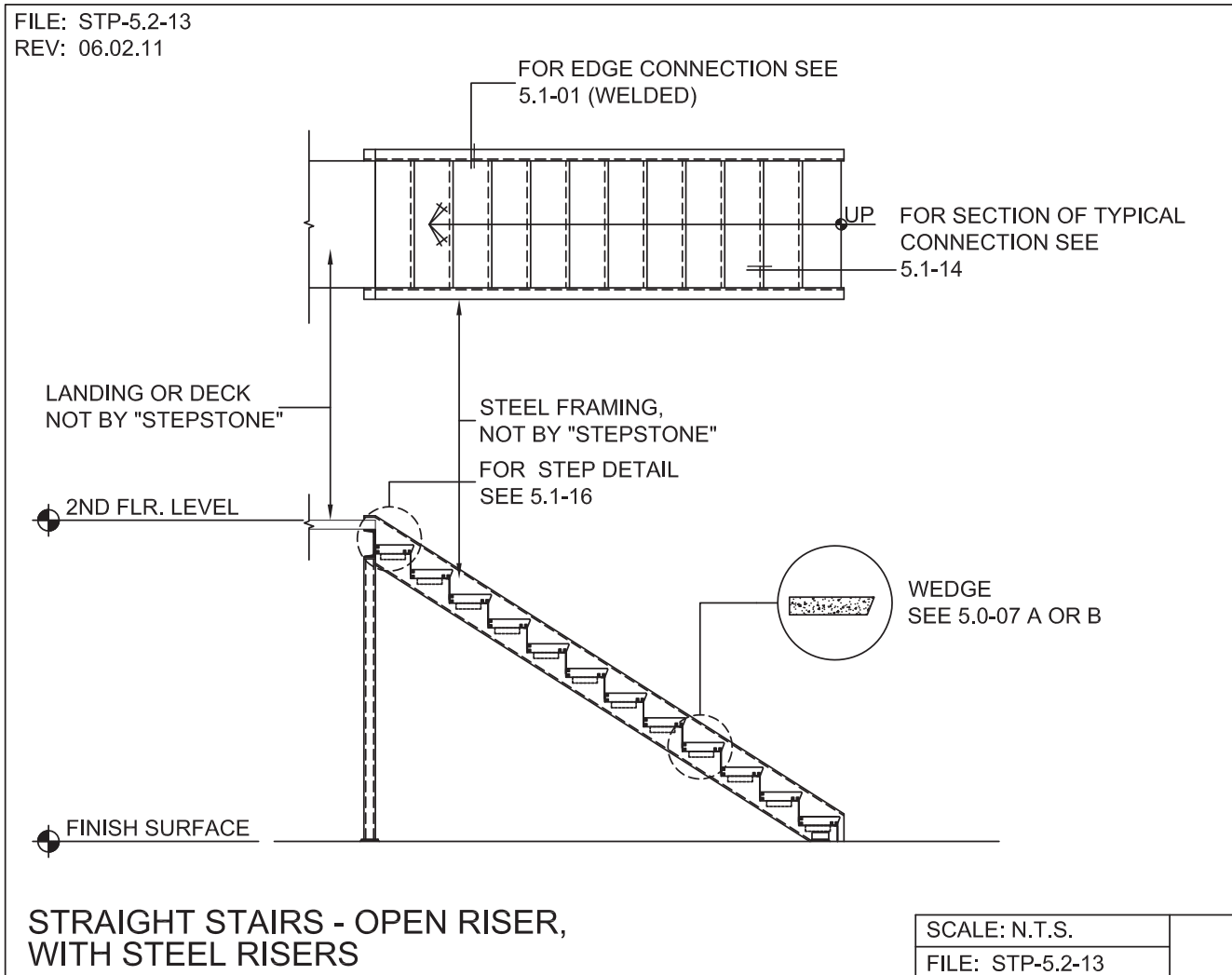


PRECAST CONCRETE TREADS AND LANDINGS SHOWN ON PLANS SHALL BE FROM THE LONG SPAN "STEPTREAD" SYSTEM BY "STEPSTONE, LLC" OF GARDENA, CA FOR STEEL CONSTRUCTION. THE MANUFACTURER IS TO SUPPLY ALL PRECAST CONCRETE "STEPTREAD" SYSTEM PARTS, FEATURING BOTTOM WELD PLATES FOR WELD-ON CONNECTIONS. ALL REINFORCING AND CONNECTION PLATES WILL BE ZINC PLATED. ONLY ITEMS NOTED AS BY "STEPSTONE, LLC" WILL BE FURNISHED BY "STEPSTONE, LLC" SUCH ITEMS ARE TO BE INSTALLED BY OTHERS.

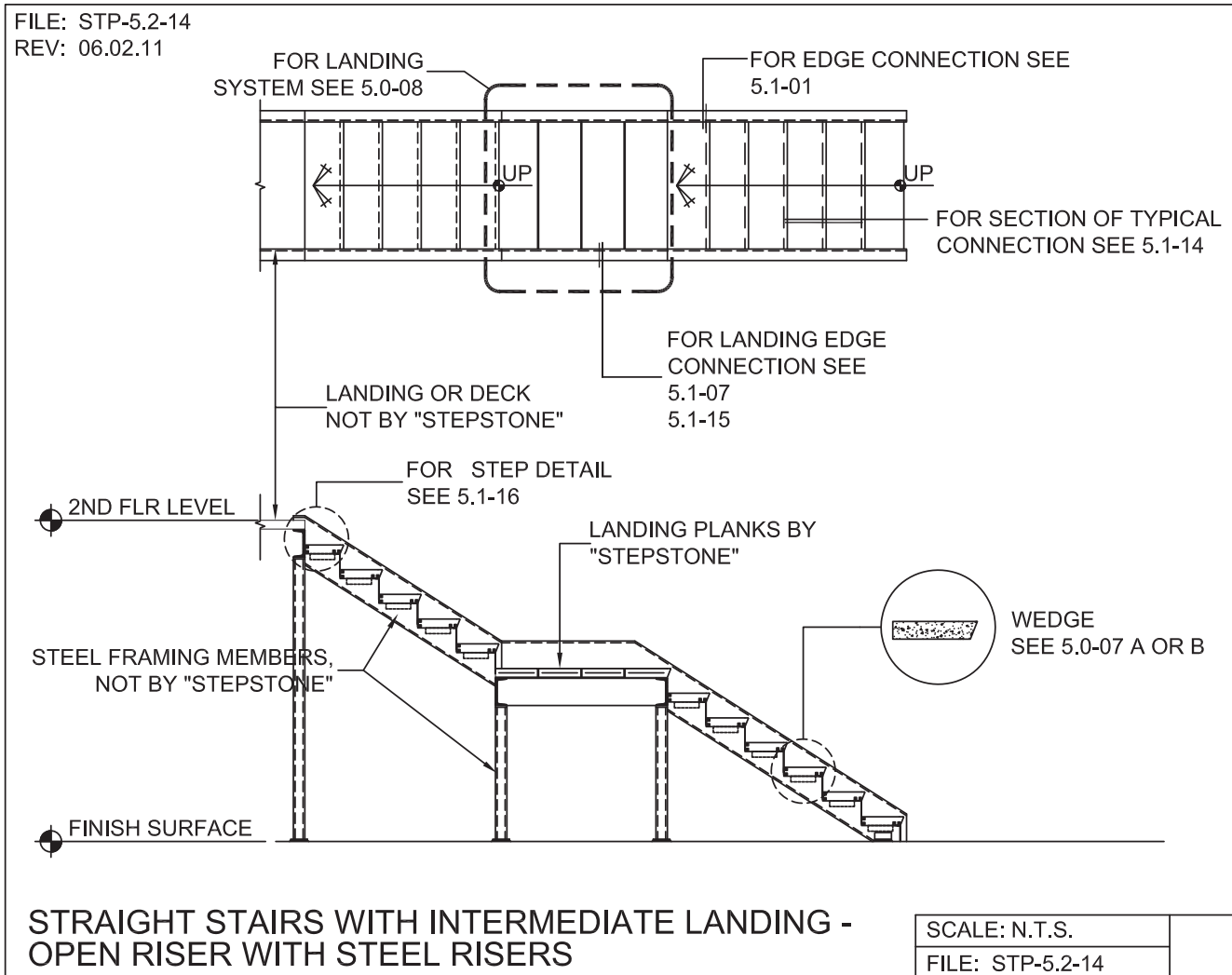


PRECAST CONCRETE TREADS AND LANDINGS SHOWN ON PLANS SHALL BE FROM THE LONG SPAN "STEPTREAD" SYSTEM BY "STEPSTONE, LLC" OF GARDENA, CA FOR STEEL CONSTRUCTION. THE MANUFACTURER IS TO SUPPLY ALL PRECAST CONCRETE "STEPTREAD" SYSTEM PARTS, FEATURING BOTTOM WELD PLATES FOR WELD-ON CONNECTIONS. ALL REINFORCING AND CONNECTION PLATES WILL BE ZINC PLATED. ONLY ITEMS NOTED AS BY "STEPSTONE, LLC" WILL BE FURNISHED BY "STEPSTONE, LLC" SUCH ITEMS ARE TO BE INSTALLED BY OTHERS.

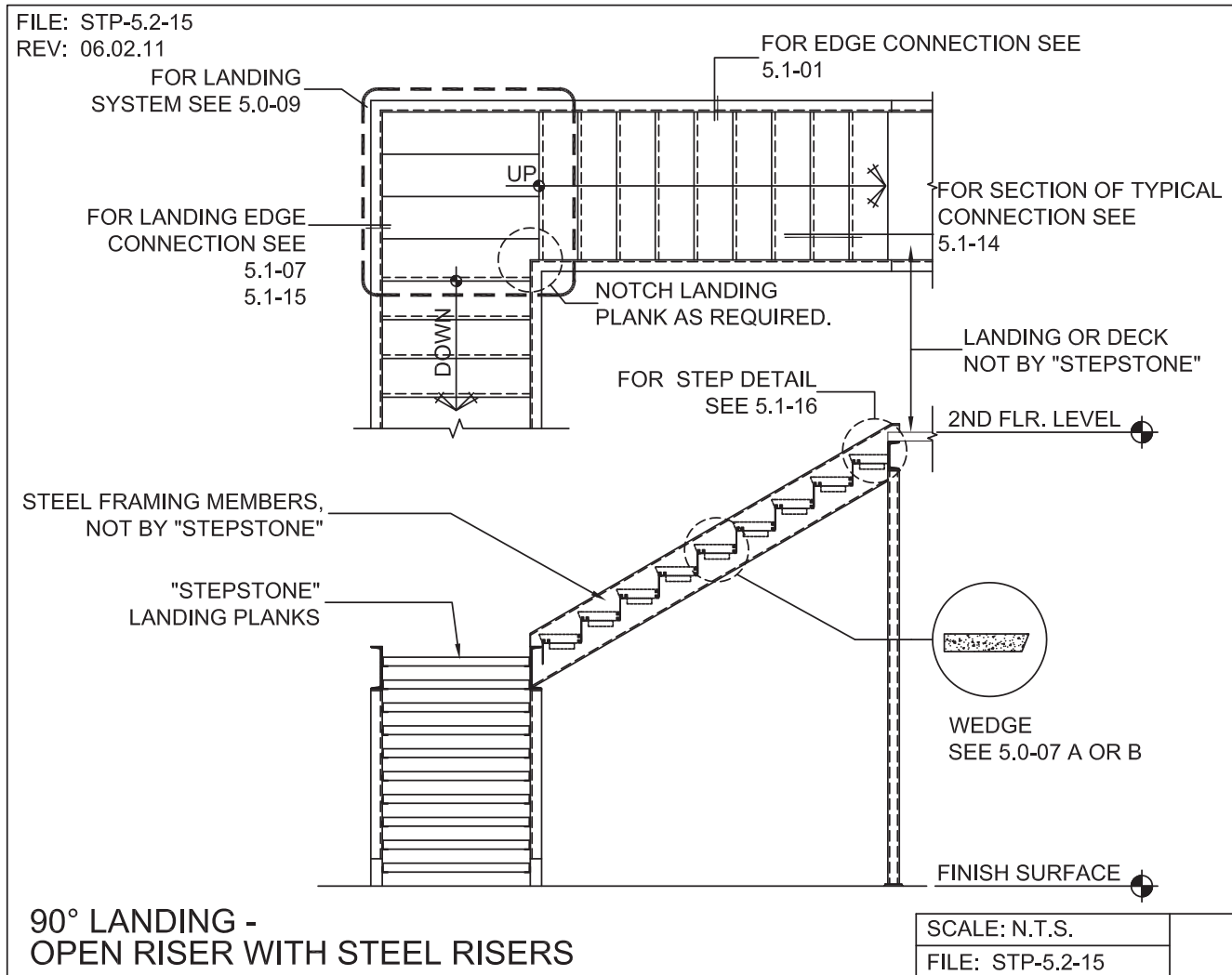




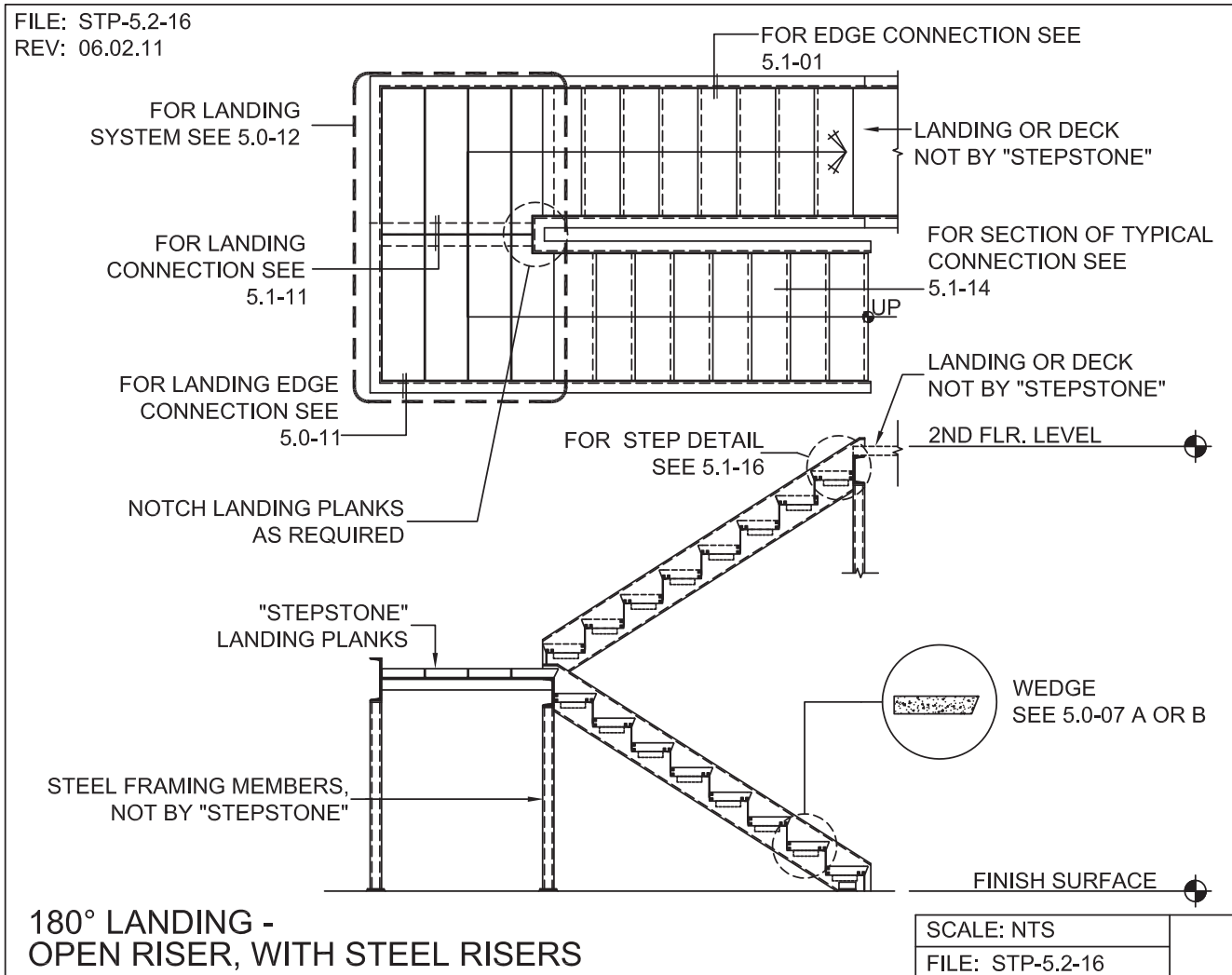
PRECAST CONCRETE TREADS AND LANDINGS SHOWN ON PLANS SHALL BE FROM THE LONG SPAN "STEPTREAD" SYSTEM BY "STEPSTONE, LLC" OF GARDENA, CA FOR STEEL CONSTRUCTION. THE MANUFACTURER IS TO SUPPLY ALL PRECAST CONCRETE "STEPTREAD" SYSTEM PARTS, FEATURING BOTTOM WELD PLATES FOR WELD-ON CONNECTIONS. ALL REINFORCING AND CONNECTION PLATES WILL BE ZINC PLATED. ONLY ITEMS NOTED AS BY "STEPSTONE, LLC" WILL BE FURNISHED BY "STEPSTONE, LLC" SUCH ITEMS ARE TO BE INSTALLED BY OTHERS.



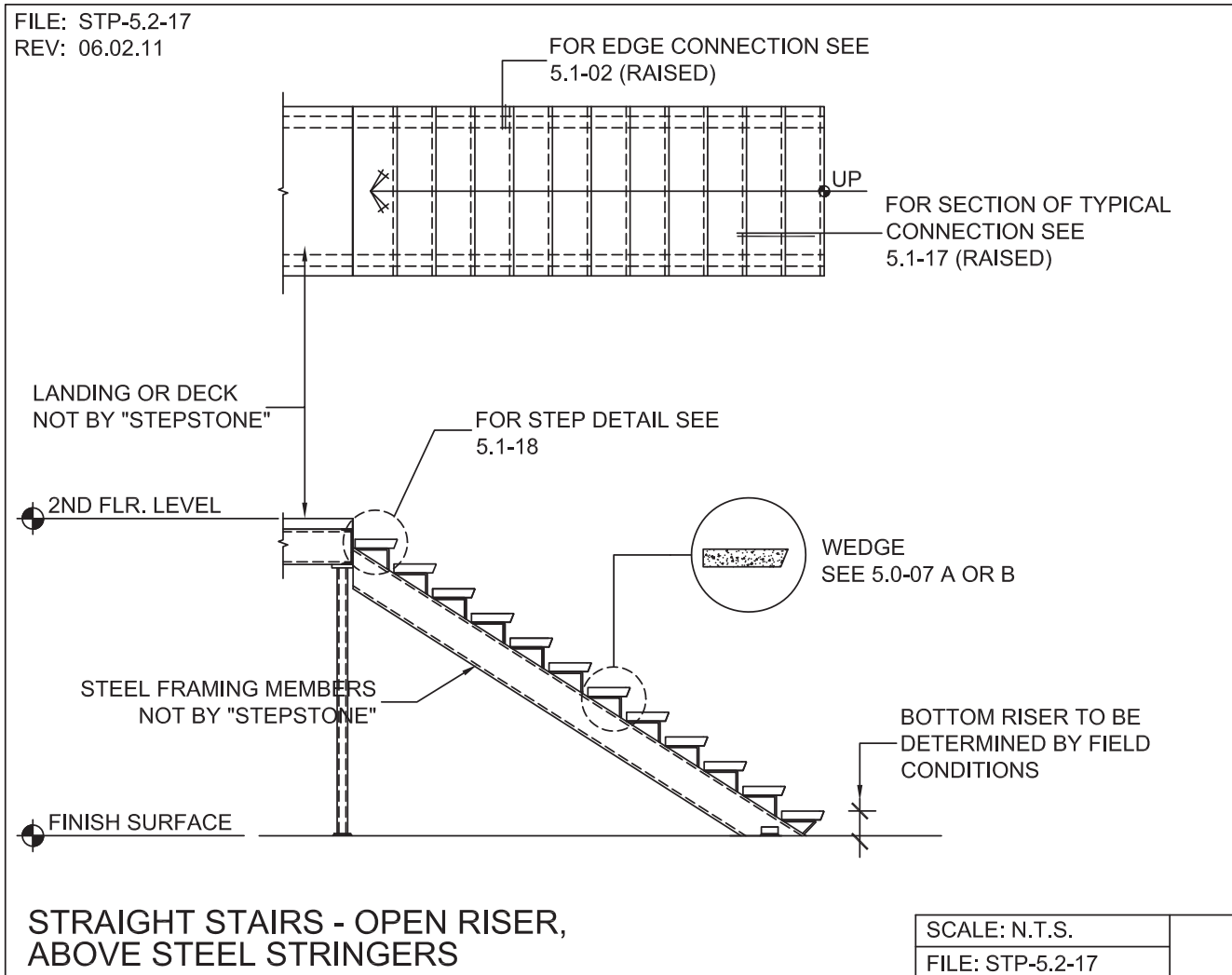
PRECAST CONCRETE TREADS AND LANDINGS SHOWN ON PLANS SHALL BE FROM THE LONG SPAN "STEPTREAD" SYSTEM BY "STEPSTONE, LLC" OF GARDENA, CA FOR STEEL CONSTRUCTION. THE MANUFACTURER IS TO SUPPLY ALL PRECAST CONCRETE "STEPTREAD" SYSTEM PARTS, FEATURING BOTTOM WELD PLATES FOR WELD-ON CONNECTIONS. ALL REINFORCING AND CONNECTION PLATES WILL BE ZINC PLATED. ONLY ITEMS NOTED AS BY "STEPSTONE, LLC" WILL BE FURNISHED BY "STEPSTONE, LLC" SUCH ITEMS ARE TO BE INSTALLED BY OTHERS.



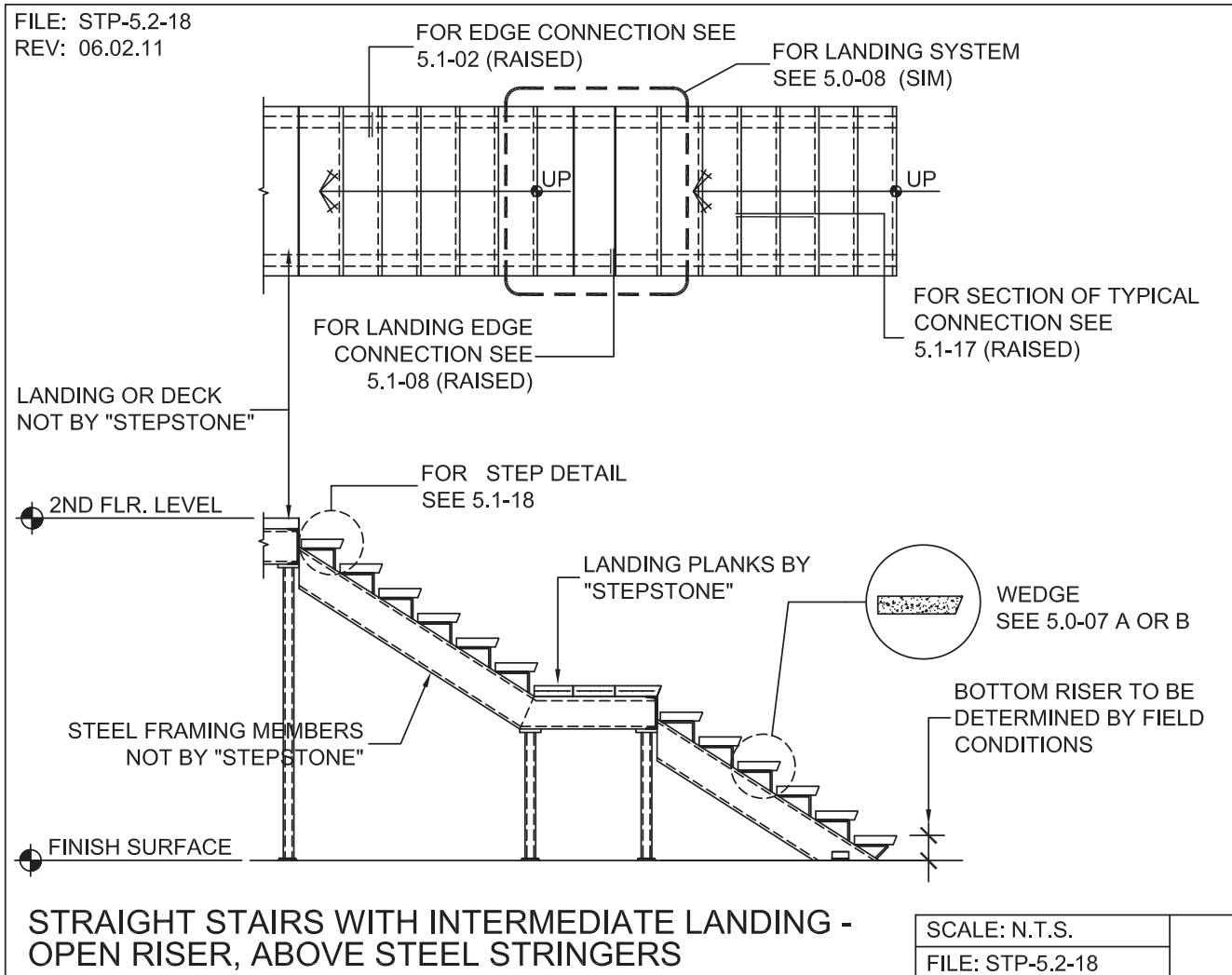
PRECAST CONCRETE TREADS AND LANDINGS SHOWN ON PLANS SHALL BE FROM THE LONG SPAN "STEPTREAD" SYSTEM BY "STEPSTONE, LLC" OF GARDENA, CA FOR STEEL CONSTRUCTION. THE MANUFACTURER IS TO SUPPLY ALL PRECAST CONCRETE "STEPTREAD" SYSTEM PARTS, FEATURING BOTTOM WELD PLATES FOR WELD-ON CONNECTIONS. ALL REINFORCING AND CONNECTION PLATES WILL BE ZINC PLATED. ONLY ITEMS NOTED AS BY "STEPSTONE, LLC" WILL BE FURNISHED BY "STEPSTONE, LLC" SUCH ITEMS ARE TO BE INSTALLED BY OTHERS.



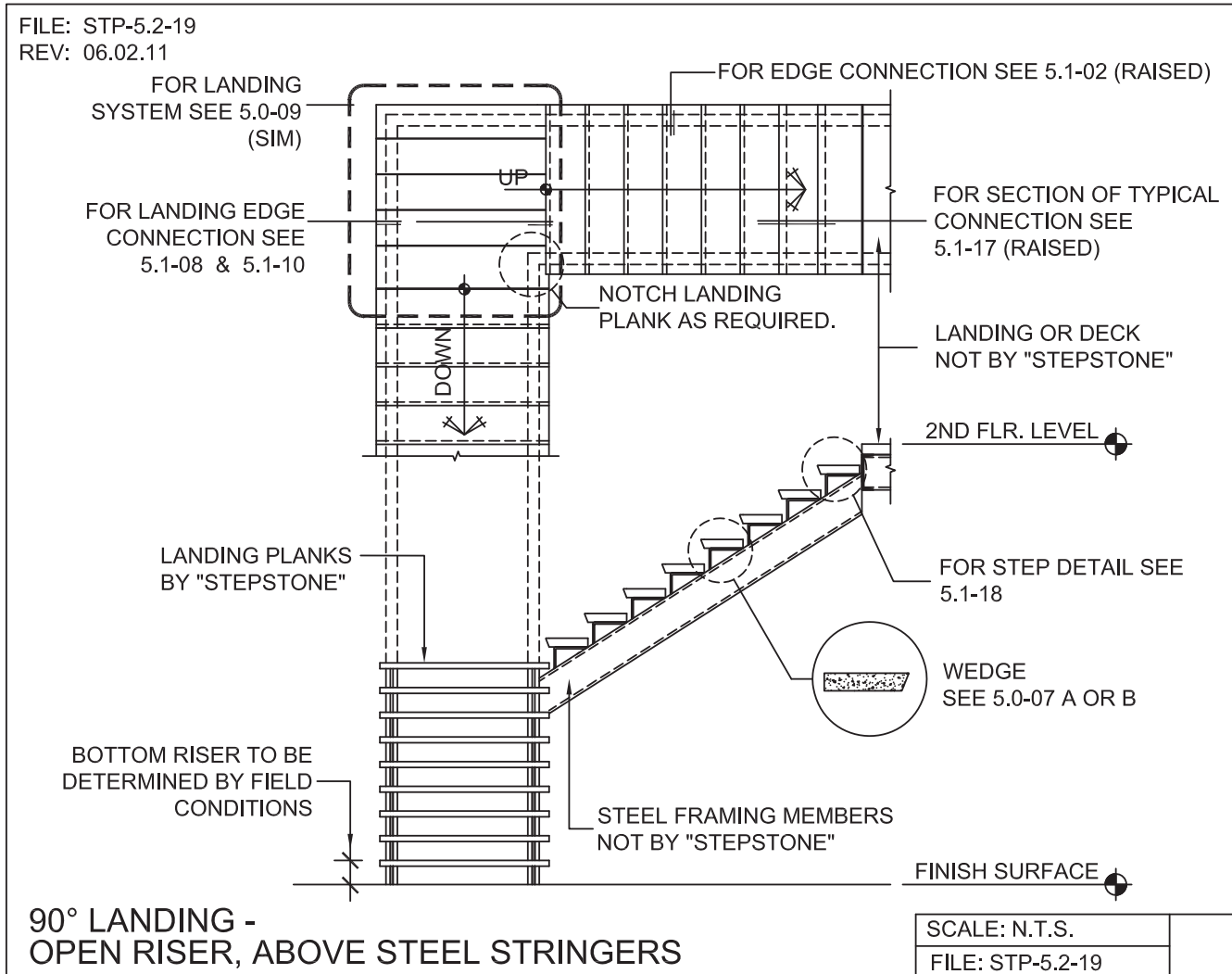
PRECAST CONCRETE TREADS AND LANDINGS SHOWN ON PLANS SHALL BE FROM THE LONG SPAN "STEPTREAD" SYSTEM BY "STEPSTONE, LLC" OF GARDENA, CA FOR STEEL CONSTRUCTION. THE MANUFACTURER IS TO SUPPLY ALL PRECAST CONCRETE "STEPTREAD" SYSTEM PARTS, FEATURING BOTTOM WELD PLATES FOR WELD-ON CONNECTIONS. ALL REINFORCING AND CONNECTION PLATES WILL BE ZINC PLATED. ONLY ITEMS NOTED AS BY "STEPSTONE, LLC" WILL BE FURNISHED BY "STEPSTONE, LLC" SUCH ITEMS ARE TO BE INSTALLED BY OTHERS.



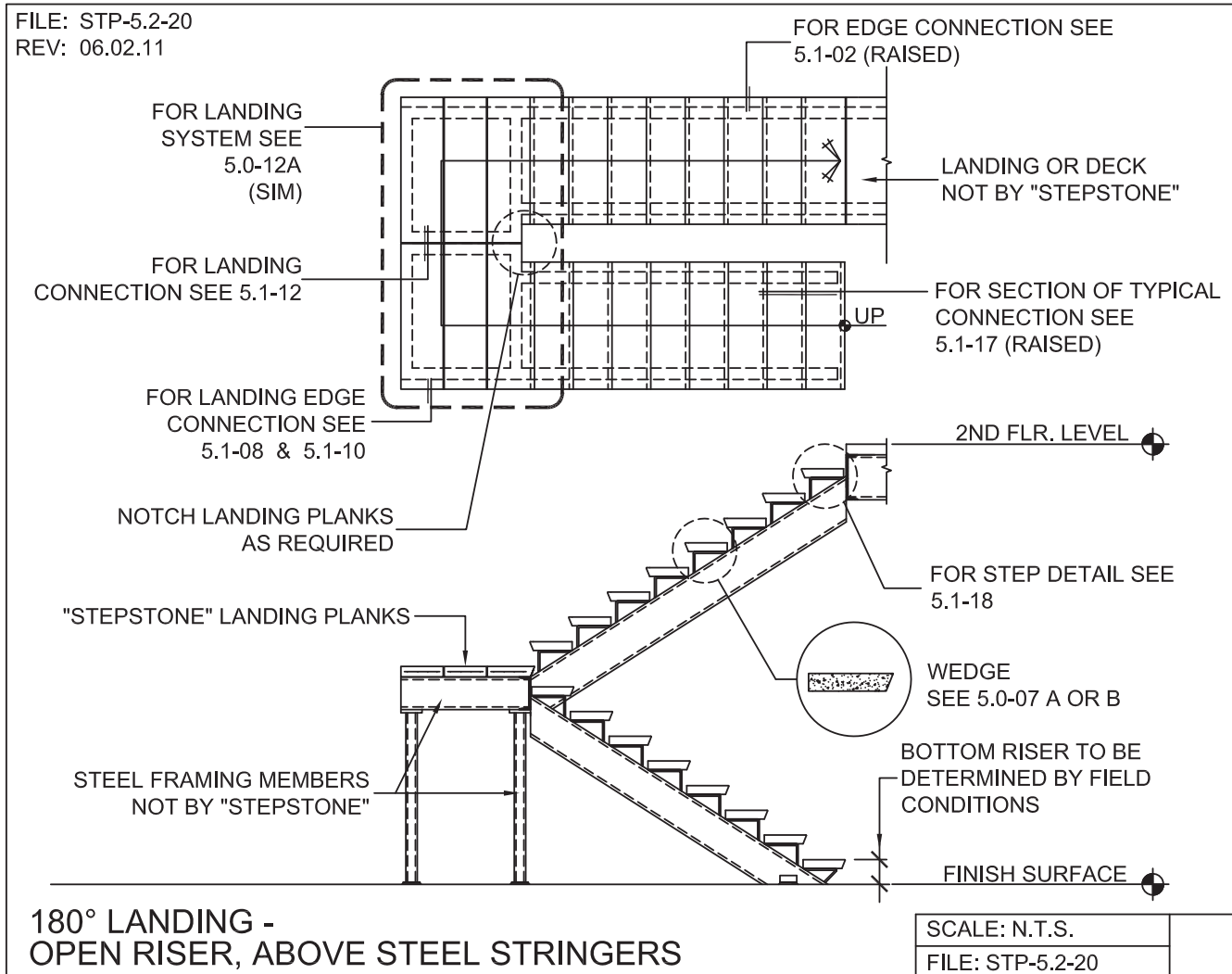
PRECAST CONCRETE TREADS AND LANDINGS SHOWN ON PLANS SHALL BE FROM THE LONG SPAN "STEPTREAD" SYSTEM BY "STEPSTONE, LLC" OF GARDENA, CA FOR STEEL CONSTRUCTION. THE MANUFACTURER IS TO SUPPLY ALL PRECAST CONCRETE "STEPTREAD" SYSTEM PARTS, FEATURING BOTTOM WELD PLATES FOR WELD-ON CONNECTIONS. ALL REINFORCING AND CONNECTION PLATES WILL BE ZINC PLATED. ONLY ITEMS NOTED AS BY "STEPSTONE, LLC" WILL BE FURNISHED BY "STEPSTONE, LLC" SUCH ITEMS ARE TO BE INSTALLED BY OTHERS.



PRECAST CONCRETE TREADS AND LANDINGS SHOWN ON PLANS SHALL BE FROM THE LONG SPAN "STEPTREAD" SYSTEM BY "STEPSTONE, LLC" OF GARDENA, CA FOR STEEL CONSTRUCTION. THE MANUFACTURER IS TO SUPPLY ALL PRECAST CONCRETE "STEPTREAD" SYSTEM PARTS, FEATURING BOTTOM WELD PLATES FOR WELD-ON CONNECTIONS. ALL REINFORCING AND CONNECTION PLATES WILL BE ZINC PLATED. ONLY ITEMS NOTED AS BY "STEPSTONE, LLC" WILL BE FURNISHED BY "STEPSTONE, LLC" SUCH ITEMS ARE TO BE INSTALLED BY OTHERS.



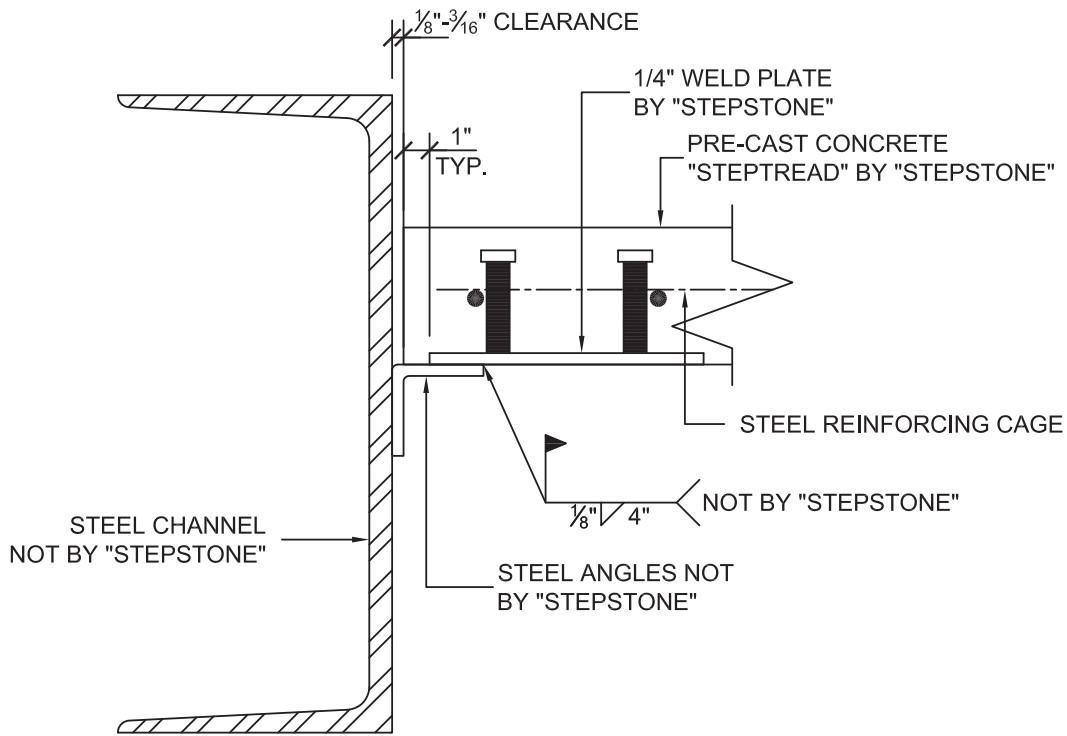
PRECAST CONCRETE TREADS AND LANDINGS SHOWN ON PLANS SHALL BE FROM THE LONG SPAN "STEPTREAD" SYSTEM BY "STEPSTONE, LLC" OF GARDENA, CA FOR STEEL CONSTRUCTION. THE MANUFACTURER IS TO SUPPLY ALL PRECAST CONCRETE "STEPTREAD" SYSTEM PARTS, FEATURING BOTTOM WELD PLATES FOR WELD-ON CONNECTIONS. ALL REINFORCING AND CONNECTION PLATES WILL BE ZINC PLATED. ONLY ITEMS NOTED AS BY "STEPSTONE, LLC" WILL BE FURNISHED BY "STEPSTONE, LLC" SUCH ITEMS ARE TO BE INSTALLED BY OTHERS.



PRECAST CONCRETE TREADS AND LANDINGS SHOWN ON PLANS SHALL BE FROM THE LONG SPAN "STEPTREAD" SYSTEM BY "STEPSTONE, LLC" OF GARDENA, CA FOR STEEL CONSTRUCTION. THE MANUFACTURER IS TO SUPPLY ALL PRECAST CONCRETE "STEPTREAD" SYSTEM PARTS, FEATURING BOTTOM WELD PLATES FOR WELD-ON CONNECTIONS. ALL REINFORCING AND CONNECTION PLATES WILL BE ZINC PLATED. ONLY ITEMS NOTED AS BY "STEPSTONE, LLC" WILL BE FURNISHED BY "STEPSTONE, LLC" SUCH ITEMS ARE TO BE INSTALLED BY OTHERS.



FILE: STP-5.1-01  
REV: 06.02.11

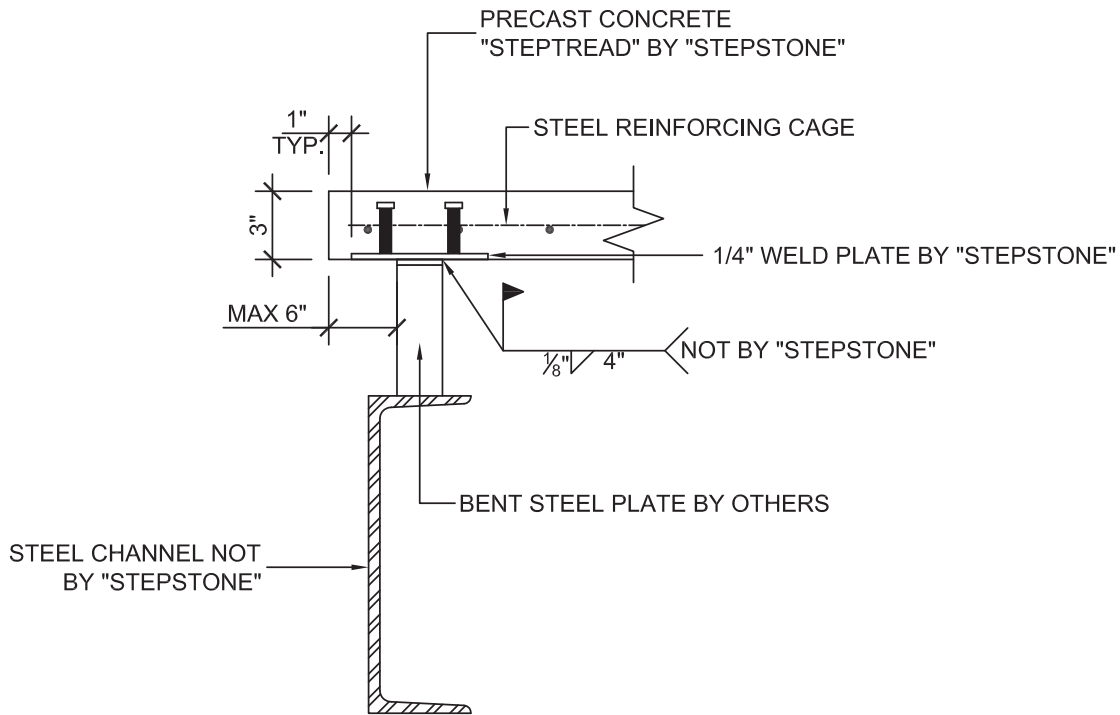


**TREAD END CONNECTION - WELDED BETWEEN STEEL STRINGERS**

SCALE: N.T.S.	
FILE: STP-5.1-01	

PRECAST CONCRETE TREADS AND LANDINGS SHOWN ON PLANS SHALL BE FROM THE LONG SPAN "STEPTREAD" SYSTEM BY "STEPSTONE, LLC" OF GARDENA, CA FOR STEEL CONSTRUCTION. THE MANUFACTURER IS TO SUPPLY ALL PRECAST CONCRETE "STEPTREAD" SYSTEM PARTS, FEATURING BOTTOM WELD PLATES FOR WELD-ON CONNECTIONS. ALL REINFORCING AND CONNECTION PLATES WILL BE ZINC PLATED. ONLY ITEMS NOTED AS BY "STEPSTONE, LLC" WILL BE FURNISHED BY "STEPSTONE, LLC" SUCH ITEMS ARE TO BE INSTALLED BY OTHERS.

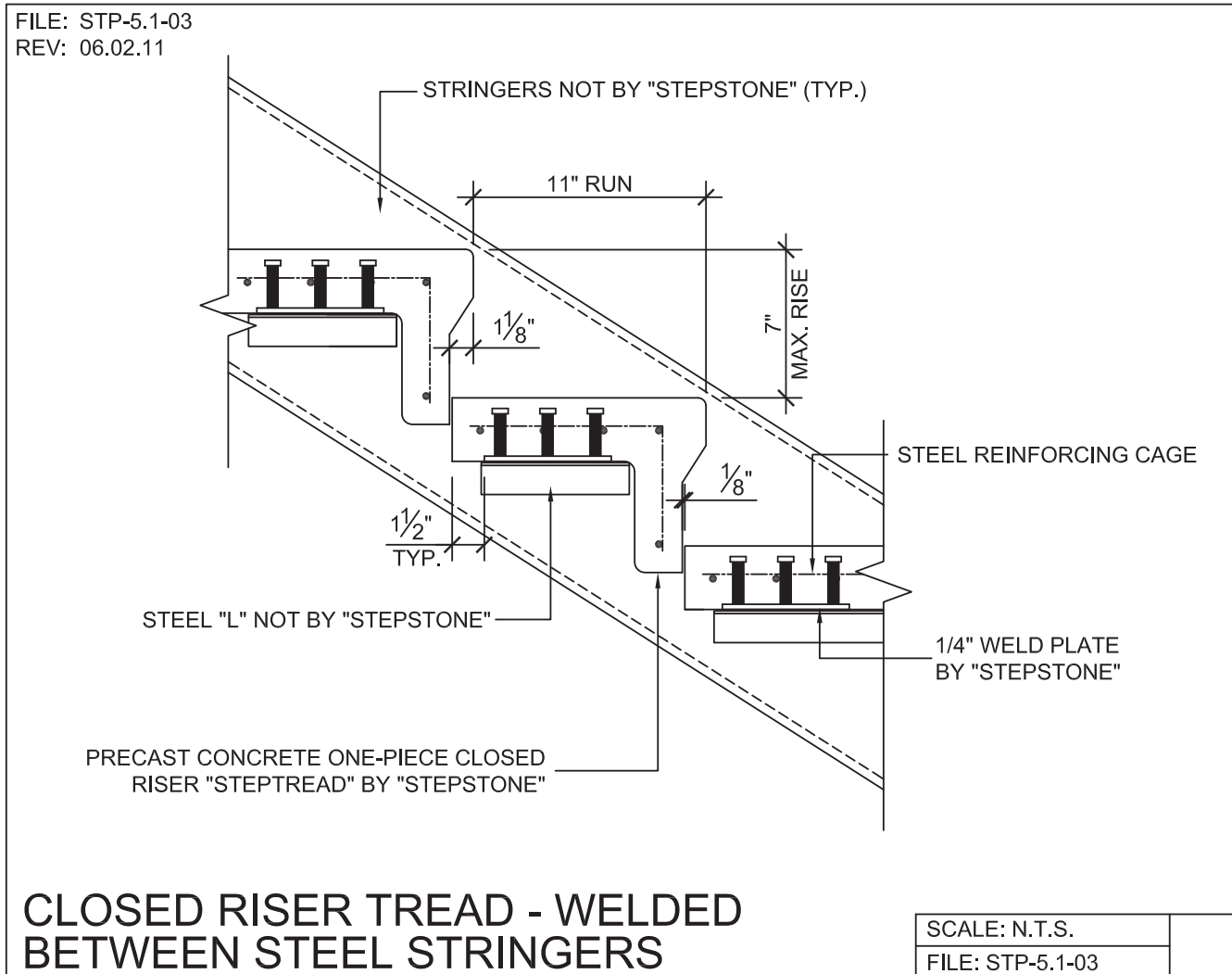
FILE: STP-5.1-02  
REV: 06.02.11



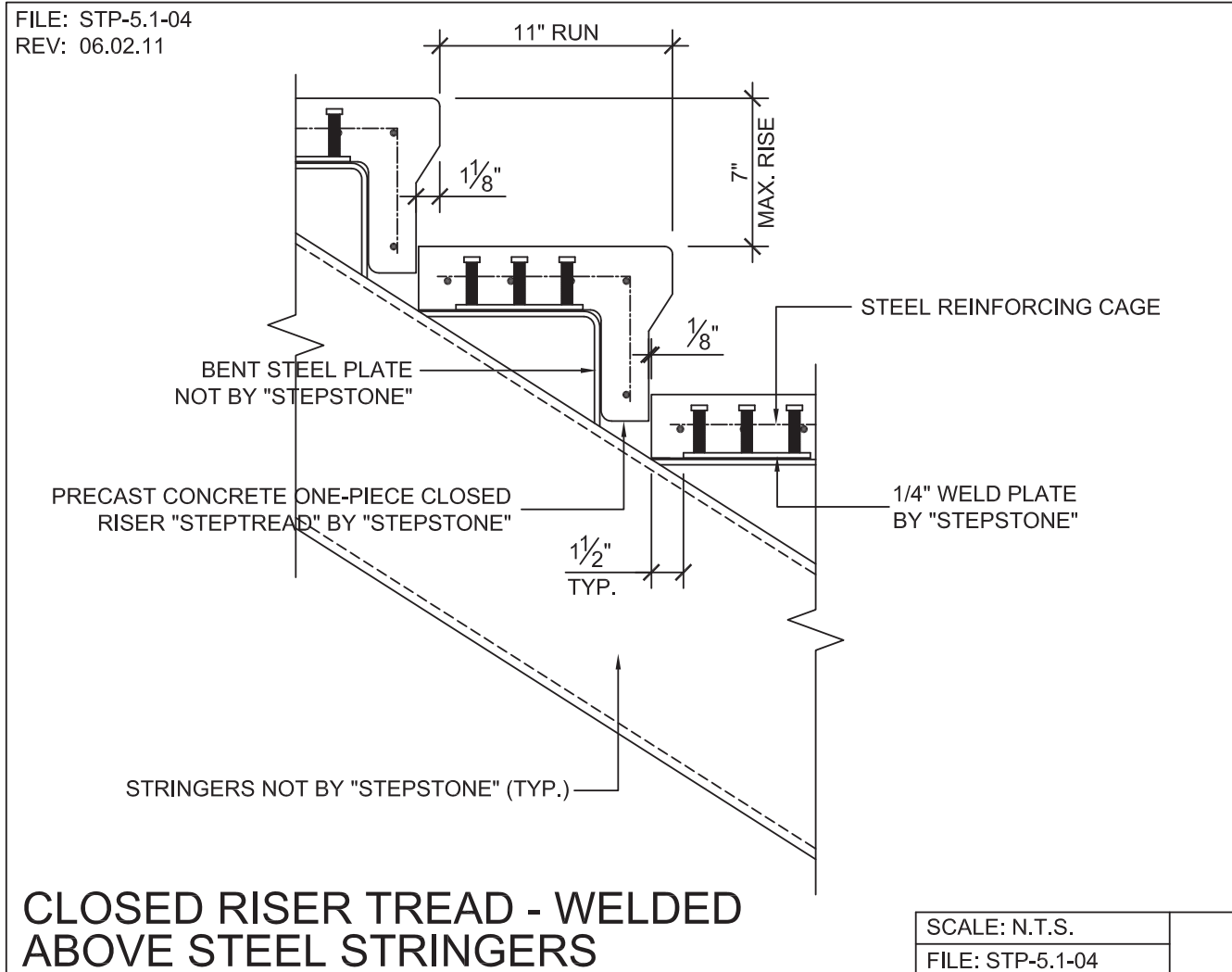
**TREAD END CONNECTION - WELDED ABOVE STEEL STRINGERS**

SCALE: N.T.S.	
FILE: STP-5.1-02	

PRECAST CONCRETE TREADS AND LANDINGS SHOWN ON PLANS SHALL BE FROM THE LONG SPAN "STEPTREAD" SYSTEM BY "STEPSTONE, LLC" OF GARDENA, CA FOR STEEL CONSTRUCTION. THE MANUFACTURER IS TO SUPPLY ALL PRECAST CONCRETE "STEPTREAD" SYSTEM PARTS, FEATURING BOTTOM WELD PLATES FOR WELD-ON CONNECTIONS. ALL REINFORCING AND CONNECTION PLATES WILL BE ZINC PLATED. ONLY ITEMS NOTED AS BY "STEPSTONE, LLC" WILL BE FURNISHED BY "STEPSTONE, LLC" SUCH ITEMS ARE TO BE INSTALLED BY OTHERS.

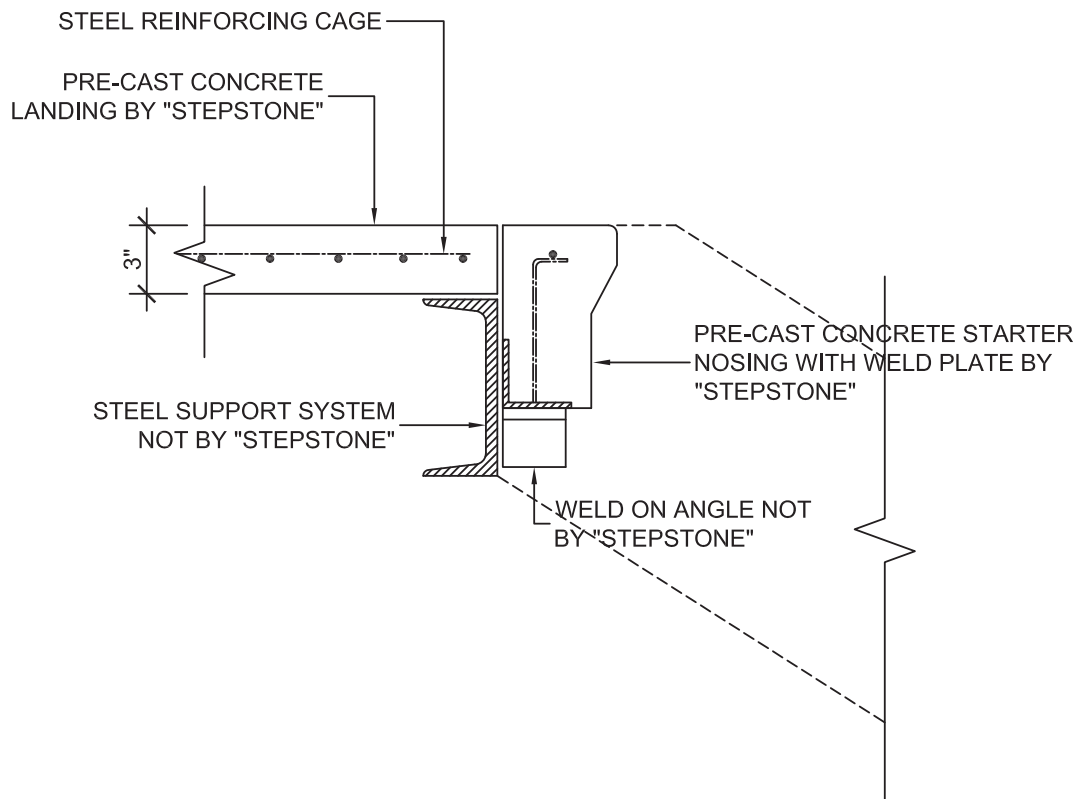


PRECAST CONCRETE TREADS AND LANDINGS SHOWN ON PLANS SHALL BE FROM THE LONG SPAN "STEPTREAD" SYSTEM BY "STEPSTONE, LLC" OF GARDENA, CA FOR STEEL CONSTRUCTION. THE MANUFACTURER IS TO SUPPLY ALL PRECAST CONCRETE "STEPTREAD" SYSTEM PARTS, FEATURING BOTTOM WELD PLATES FOR WELD-ON CONNECTIONS. ALL REINFORCING AND CONNECTION PLATES WILL BE ZINC PLATED. ONLY ITEMS NOTED AS BY "STEPSTONE, LLC" WILL BE FURNISHED BY "STEPSTONE, LLC" SUCH ITEMS ARE TO BE INSTALLED BY OTHERS.



PRECAST CONCRETE TREADS AND LANDINGS SHOWN ON PLANS SHALL BE FROM THE LONG SPAN "STEPTREAD" SYSTEM BY "STEPSTONE, LLC" OF GARDENA, CA FOR STEEL CONSTRUCTION. THE MANUFACTURER IS TO SUPPLY ALL PRECAST CONCRETE "STEPTREAD" SYSTEM PARTS, FEATURING BOTTOM WELD PLATES FOR WELD-ON CONNECTIONS. ALL REINFORCING AND CONNECTION PLATES WILL BE ZINC PLATED. ONLY ITEMS NOTED AS BY "STEPSTONE, LLC" WILL BE FURNISHED BY "STEPSTONE, LLC" SUCH ITEMS ARE TO BE INSTALLED BY OTHERS.

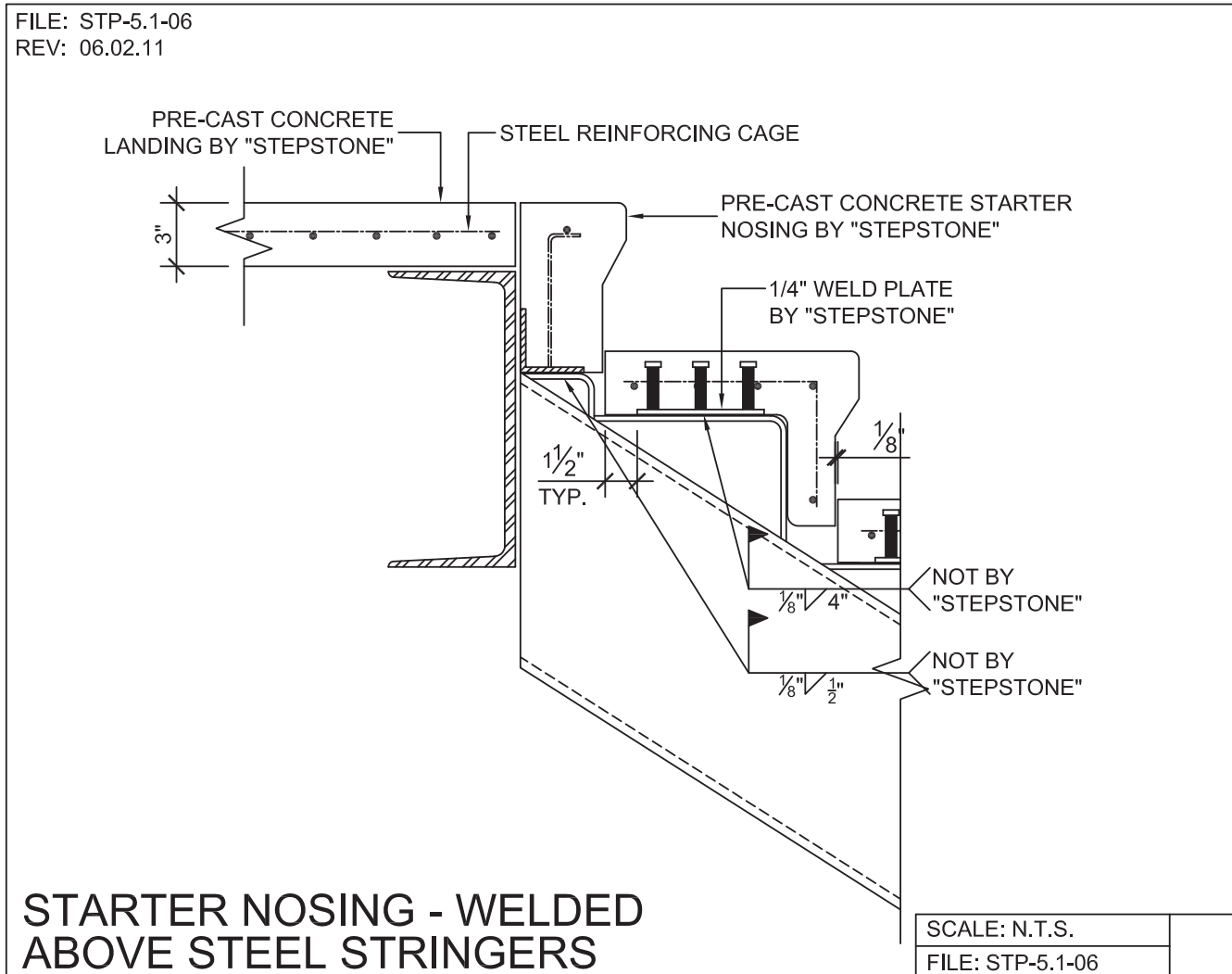
FILE: STP-5.1-05  
REV: 06.02.11



**STARTER NOSING - WELDED  
BETWEEN STEEL STRINGERS**

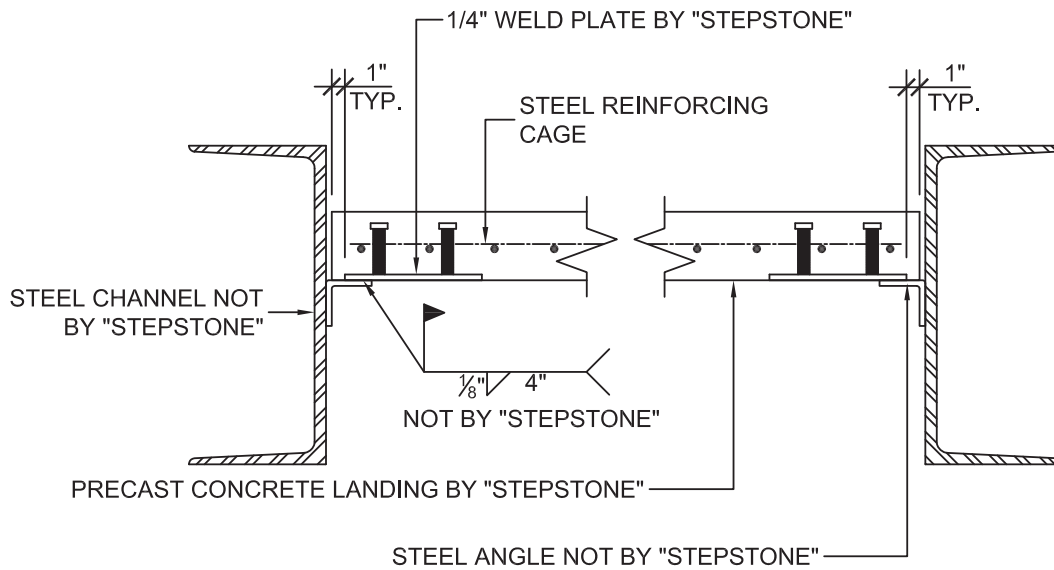
SCALE: N.T.S.
FILE: STP-5.1-05

PRECAST CONCRETE TREADS AND LANDINGS SHOWN ON PLANS SHALL BE FROM THE LONG SPAN "STEPTREAD" SYSTEM BY "STEPSTONE, LLC" OF GARDENA, CA FOR STEEL CONSTRUCTION. THE MANUFACTURER IS TO SUPPLY ALL PRECAST CONCRETE "STEPTREAD" SYSTEM PARTS, FEATURING BOTTOM WELD PLATES FOR WELD-ON CONNECTIONS. ALL REINFORCING AND CONNECTION PLATES WILL BE ZINC PLATED. ONLY ITEMS NOTED AS BY "STEPSTONE, LLC" WILL BE FURNISHED BY "STEPSTONE, LLC" SUCH ITEMS ARE TO BE INSTALLED BY OTHERS.



PRECAST CONCRETE TREADS AND LANDINGS SHOWN ON PLANS SHALL BE FROM THE LONG SPAN "STEPTREAD" SYSTEM BY "STEPSTONE, LLC" OF GARDENA, CA FOR STEEL CONSTRUCTION. THE MANUFACTURER IS TO SUPPLY ALL PRECAST CONCRETE "STEPTREAD" SYSTEM PARTS, FEATURING BOTTOM WELD PLATES FOR WELD-ON CONNECTIONS. ALL REINFORCING AND CONNECTION PLATES WILL BE ZINC PLATED. ONLY ITEMS NOTED AS BY "STEPSTONE, LLC" WILL BE FURNISHED BY "STEPSTONE, LLC" SUCH ITEMS ARE TO BE INSTALLED BY OTHERS.

FILE: STP-5.1-07  
REV: 06.02.11

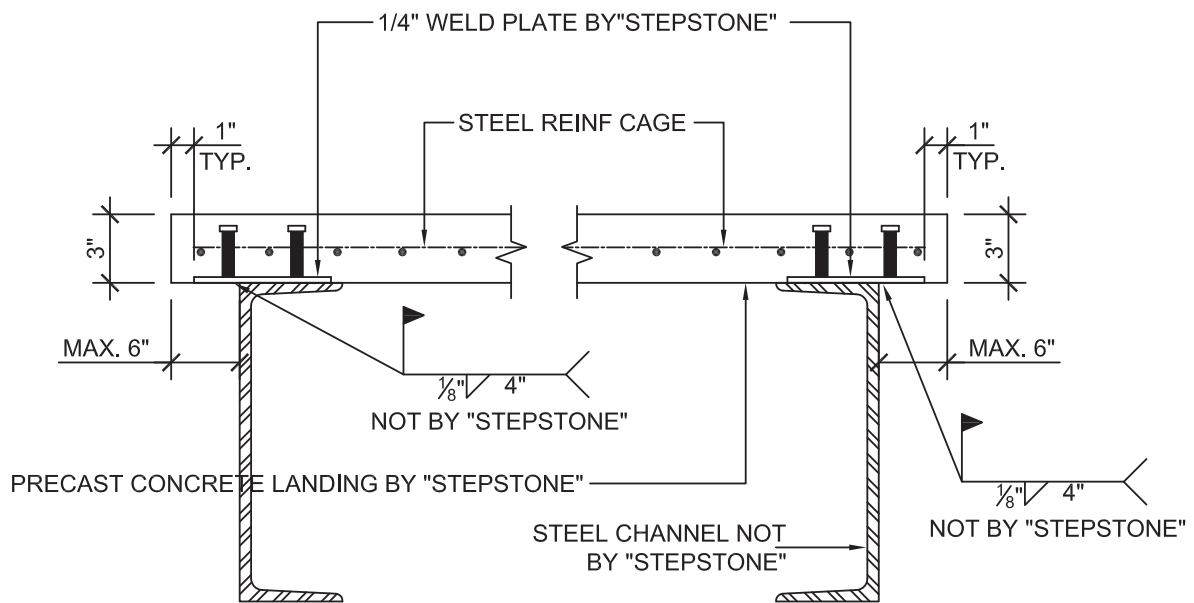


**STRAIGHT LANDING -  
BETWEEN STEEL, WELDED**

SCALE: N.T.S.
FILE: STP-5.1-07

PRECAST CONCRETE TREADS AND LANDINGS SHOWN ON PLANS SHALL BE FROM THE LONG SPAN "STEPTREAD" SYSTEM BY "STEPSTONE, LLC" OF GARDENA, CA FOR STEEL CONSTRUCTION. THE MANUFACTURER IS TO SUPPLY ALL PRECAST CONCRETE "STEPTREAD" SYSTEM PARTS, FEATURING BOTTOM WELD PLATES FOR WELD-ON CONNECTIONS. ALL REINFORCING AND CONNECTION PLATES WILL BE ZINC PLATED. ONLY ITEMS NOTED AS BY "STEPSTONE, LLC" WILL BE FURNISHED BY "STEPSTONE, LLC" SUCH ITEMS ARE TO BE INSTALLED BY OTHERS.

FILE: STP-5.1-08  
REV: 06.02.11



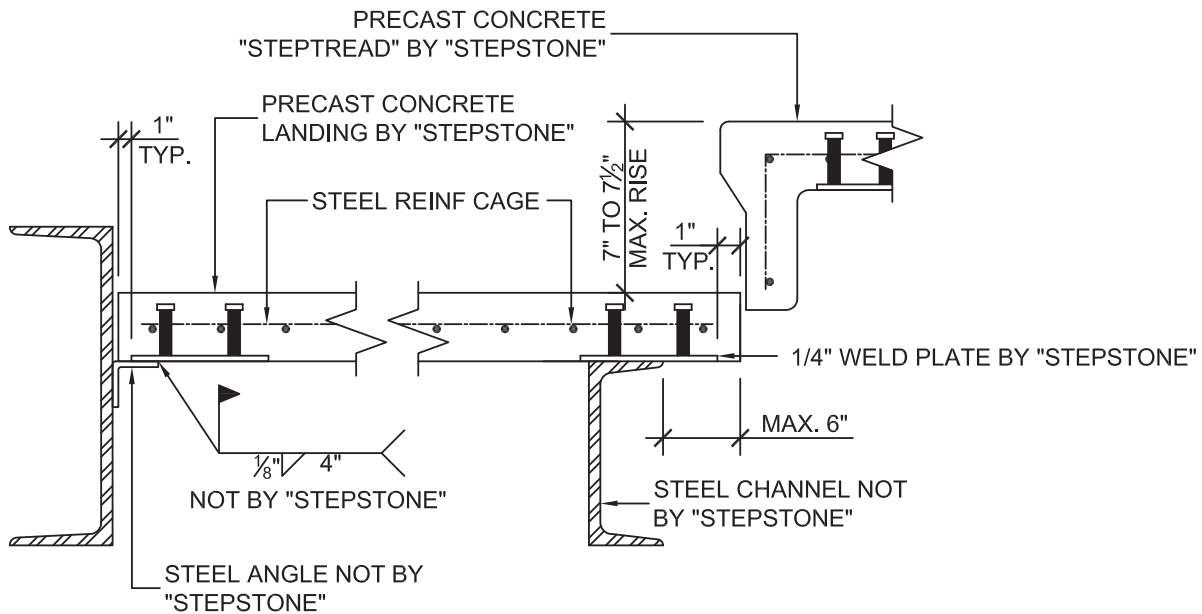
**LANDING - ABOVE STEEL, WELDED**

SCALE: N.T.S.	
FILE: STP-5.1-08	

PRECAST CONCRETE TREADS AND LANDINGS SHOWN ON PLANS SHALL BE FROM THE LONG SPAN "STEPTREAD" SYSTEM BY "STEPSTONE, LLC" OF GARDENA, CA FOR STEEL CONSTRUCTION. THE MANUFACTURER IS TO SUPPLY ALL PRECAST CONCRETE "STEPTREAD" SYSTEM PARTS, FEATURING BOTTOM WELD PLATES FOR WELD-ON CONNECTIONS. ALL REINFORCING AND CONNECTION PLATES WILL BE ZINC PLATED. ONLY ITEMS NOTED AS BY "STEPSTONE, LLC" WILL BE FURNISHED BY "STEPSTONE, LLC" SUCH ITEMS ARE TO BE INSTALLED BY OTHERS.



FILE: STP-5.1-09  
REV: 06.02.11

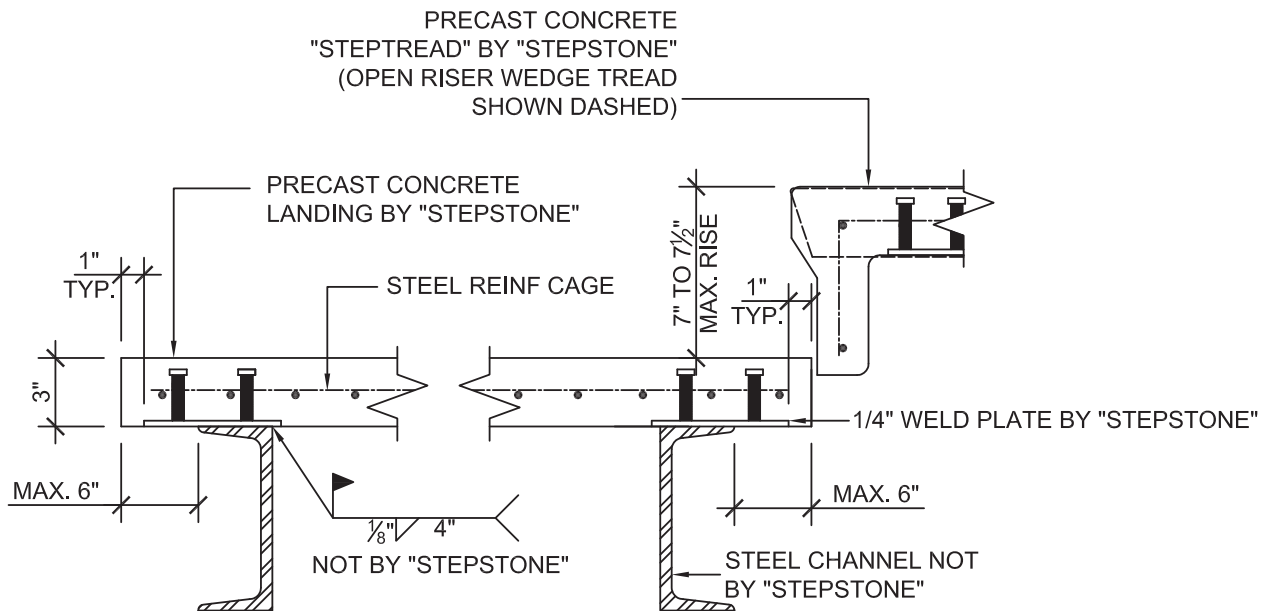


**90° LANDING - CLOSED RISER  
BETWEEN STEEL, WELDED**

SCALE: N.T.S.
FILE: STP-5.1-09

PRECAST CONCRETE TREADS AND LANDINGS SHOWN ON PLANS SHALL BE FROM THE LONG SPAN "STEPTREAD" SYSTEM BY "STEPSTONE, LLC" OF GARDENA, CA FOR STEEL CONSTRUCTION. THE MANUFACTURER IS TO SUPPLY ALL PRECAST CONCRETE "STEPTREAD" SYSTEM PARTS, FEATURING BOTTOM WELD PLATES FOR WELD-ON CONNECTIONS. ALL REINFORCING AND CONNECTION PLATES WILL BE ZINC PLATED. ONLY ITEMS NOTED AS BY "STEPSTONE, LLC" WILL BE FURNISHED BY "STEPSTONE, LLC" SUCH ITEMS ARE TO BE INSTALLED BY OTHERS.

FILE: STP-5.1-10  
REV: 06.02.11

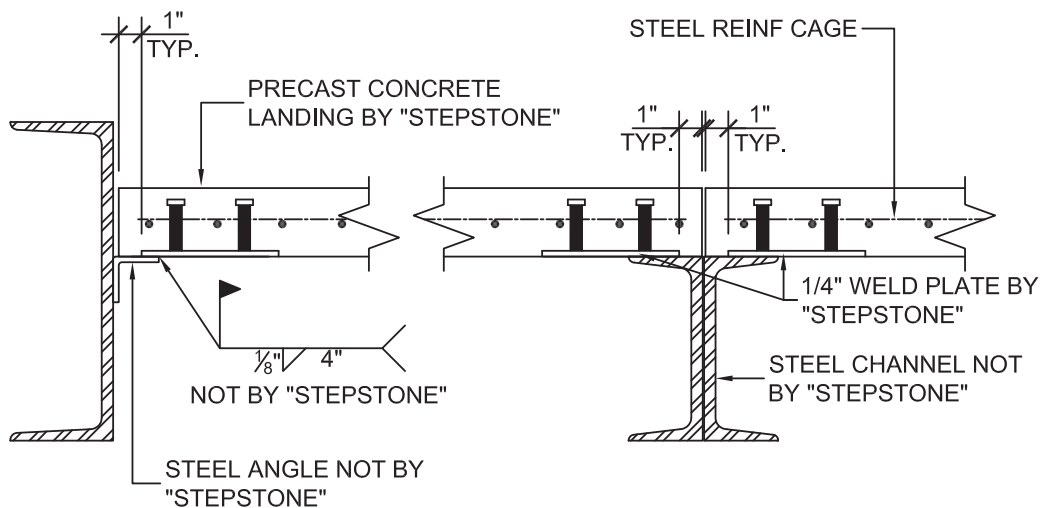


**90° LANDING - CLOSED RISER OR (OPEN RISER) ABOVE STEEL, WELDED**

SCALE: N.T.S.	
FILE: STP-5.1-10	

PRECAST CONCRETE TREADS AND LANDINGS SHOWN ON PLANS SHALL BE FROM THE LONG SPAN "STEPTREAD" SYSTEM BY "STEPSTONE, LLC" OF GARDENA, CA FOR STEEL CONSTRUCTION. THE MANUFACTURER IS TO SUPPLY ALL PRECAST CONCRETE "STEPTREAD" SYSTEM PARTS, FEATURING BOTTOM WELD PLATES FOR WELD-ON CONNECTIONS. ALL REINFORCING AND CONNECTION PLATES WILL BE ZINC PLATED. ONLY ITEMS NOTED AS BY "STEPSTONE, LLC" WILL BE FURNISHED BY "STEPSTONE, LLC" SUCH ITEMS ARE TO BE INSTALLED BY OTHERS.

FILE: STP-5.1-11  
REV: 06.02.11

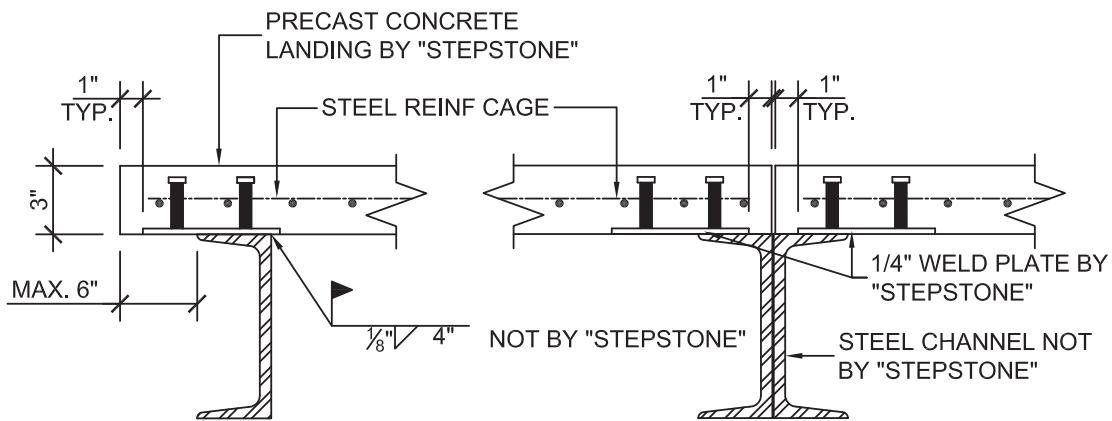


**180° LANDING -  
BETWEEN STEEL, WELDED**

SCALE: N.T.S.	
FILE: STP-5.1-11	

PRECAST CONCRETE TREADS AND LANDINGS SHOWN ON PLANS SHALL BE FROM THE LONG SPAN "STEPTREAD" SYSTEM BY "STEPSTONE, LLC" OF GARDENA, CA FOR STEEL CONSTRUCTION. THE MANUFACTURER IS TO SUPPLY ALL PRECAST CONCRETE "STEPTREAD" SYSTEM PARTS, FEATURING BOTTOM WELD PLATES FOR WELD-ON CONNECTIONS. ALL REINFORCING AND CONNECTION PLATES WILL BE ZINC PLATED. ONLY ITEMS NOTED AS BY "STEPSTONE, LLC" WILL BE FURNISHED BY "STEPSTONE, LLC" SUCH ITEMS ARE TO BE INSTALLED BY OTHERS.

FILE: STP-5.1-12  
REV: 06.02.11

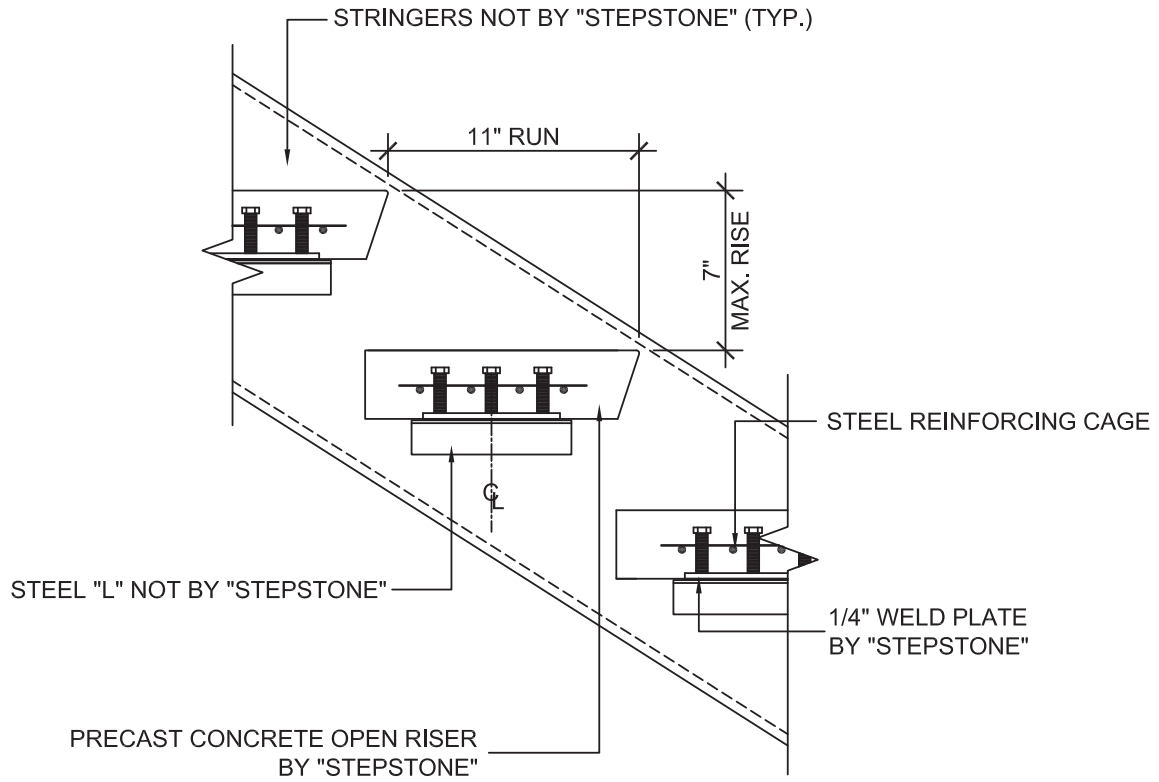


**180° LANDING -  
ABOVE STEEL, WELDED**

SCALE: N.T.S.	
FILE: STP-5.1-12	

PRECAST CONCRETE TREADS AND LANDINGS SHOWN ON PLANS SHALL BE FROM THE LONG SPAN "STEPTREAD" SYSTEM BY "STEPSTONE, LLC" OF GARDENA, CA FOR STEEL CONSTRUCTION. THE MANUFACTURER IS TO SUPPLY ALL PRECAST CONCRETE "STEPTREAD" SYSTEM PARTS, FEATURING BOTTOM WELD PLATES FOR WELD-ON CONNECTIONS. ALL REINFORCING AND CONNECTION PLATES WILL BE ZINC PLATED. ONLY ITEMS NOTED AS BY "STEPSTONE, LLC" WILL BE FURNISHED BY "STEPSTONE, LLC" SUCH ITEMS ARE TO BE INSTALLED BY OTHERS.

FILE: STP-5.1-13  
REV: 06.02.11

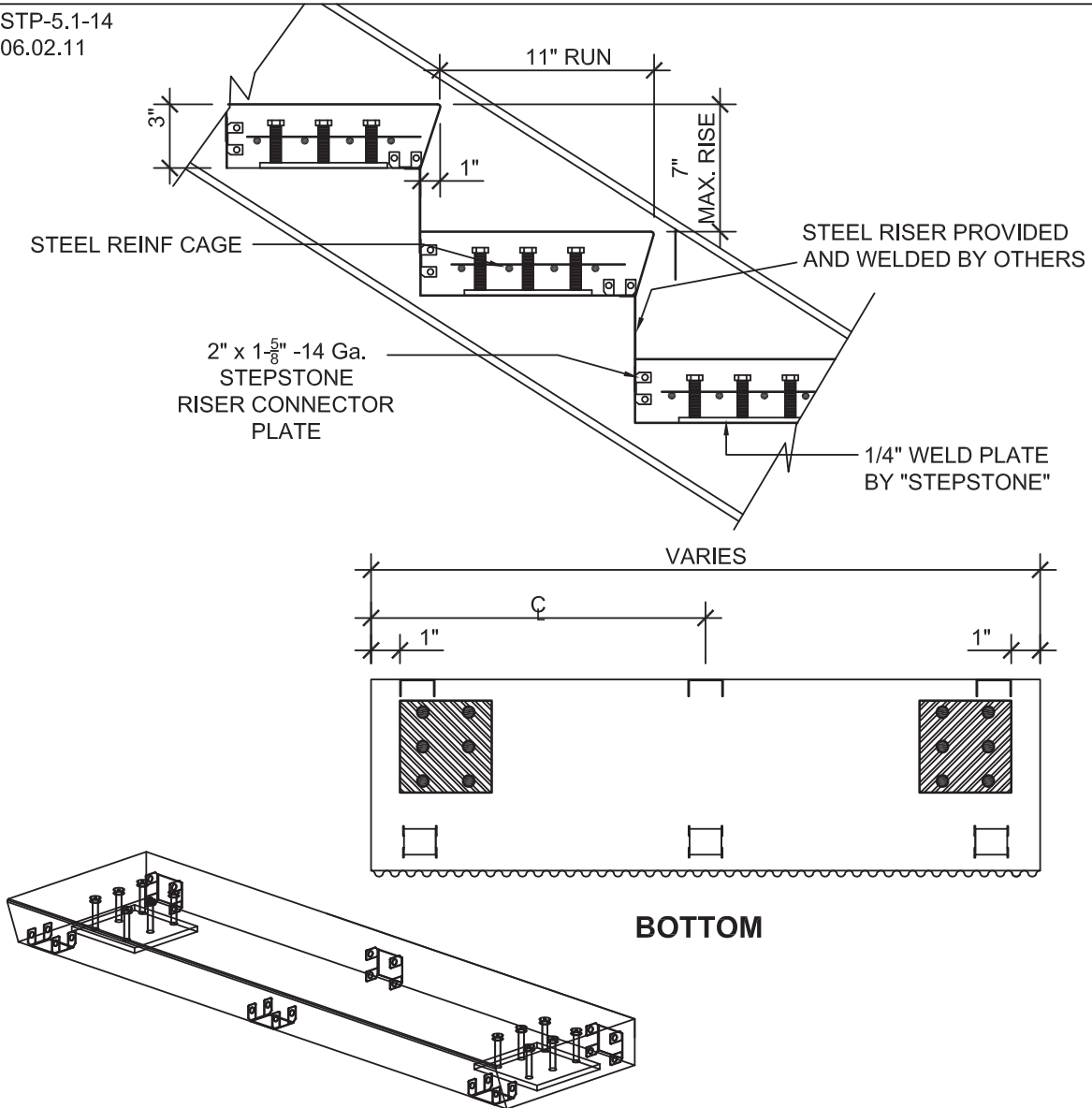


**OPEN RISER SECTION - BETWEEN STEEL STRINGERS, WELDED**

SCALE: N.T.S.	
FILE: STP-5.1-13	

PRECAST CONCRETE TREADS AND LANDINGS SHOWN ON PLANS SHALL BE FROM THE LONG SPAN "STEPTREAD" SYSTEM BY "STEPSTONE, LLC" OF GARDENA, CA FOR STEEL CONSTRUCTION. THE MANUFACTURER IS TO SUPPLY ALL PRECAST CONCRETE "STEPTREAD" SYSTEM PARTS, FEATURING BOTTOM WELD PLATES FOR WELD-ON CONNECTIONS. ALL REINFORCING AND CONNECTION PLATES WILL BE ZINC PLATED. ONLY ITEMS NOTED AS BY "STEPSTONE, LLC" WILL BE FURNISHED BY "STEPSTONE, LLC" SUCH ITEMS ARE TO BE INSTALLED BY OTHERS.

FILE: STP-5.1-14  
REV: 06.02.11

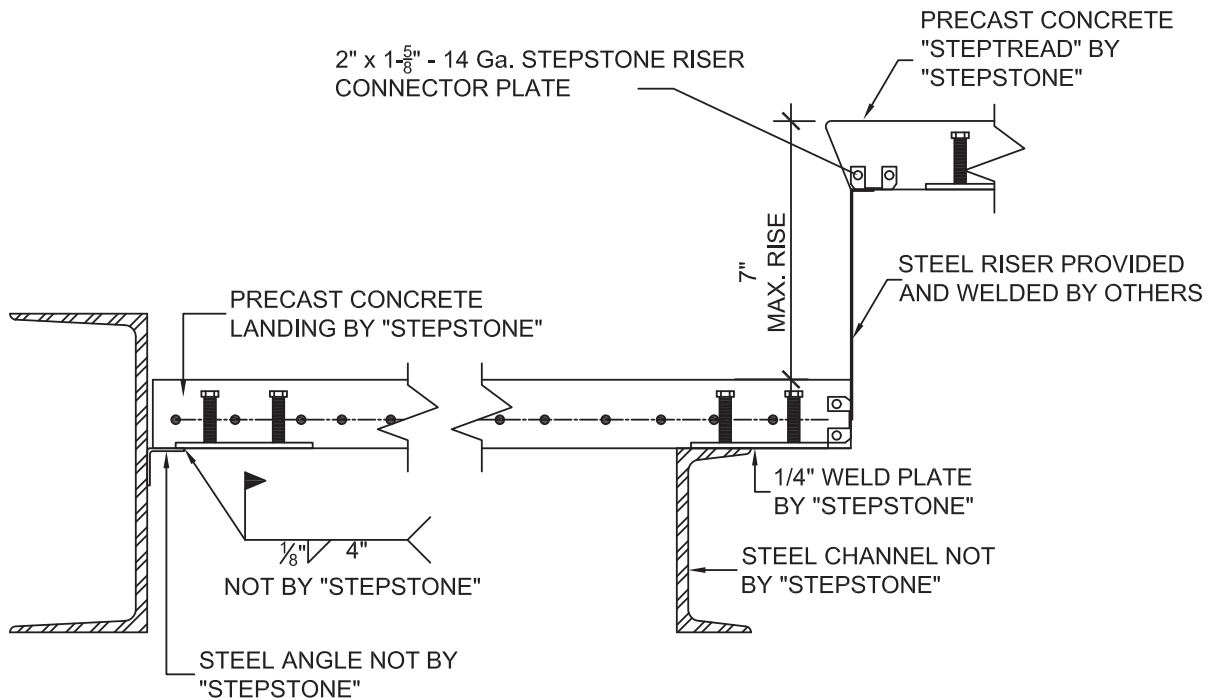


**WEDGE PROFILE - WELD ON WITH RISER CONNECTOR PLATES**

SCALE: N.T.S.	
FILE: STP-5.1-14	

PRECAST CONCRETE TREADS AND LANDINGS SHOWN ON PLANS SHALL BE FROM THE LONG SPAN "STEPTREAD" SYSTEM BY "STEPSTONE, LLC" OF GARDENA, CA FOR STEEL CONSTRUCTION. THE MANUFACTURER IS TO SUPPLY ALL PRECAST CONCRETE "STEPTREAD" SYSTEM PARTS, FEATURING BOTTOM WELD PLATES FOR WELD-ON CONNECTIONS. ALL REINFORCING AND CONNECTION PLATES WILL BE ZINC PLATED. ONLY ITEMS NOTED AS BY "STEPSTONE, LLC" WILL BE FURNISHED BY "STEPSTONE, LLC" SUCH ITEMS ARE TO BE INSTALLED BY OTHERS.

FILE: STP-5.1-15  
REV: 06.02.11

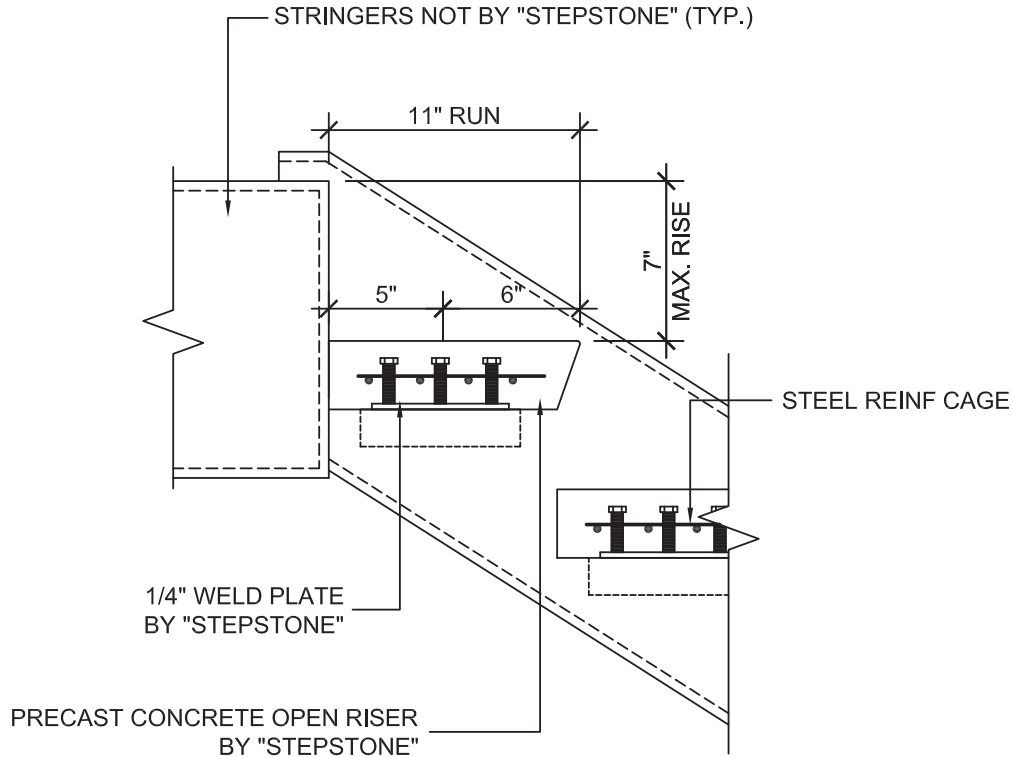


**WEDGE PROFILE WITH  
RISER CONNECTOR PLATES**

SCALE: N.T.S.
FILE: STP-5.1-15

PRECAST CONCRETE TREADS AND LANDINGS SHOWN ON PLANS SHALL BE FROM THE LONG SPAN "STEPTREAD" SYSTEM BY "STEPSTONE, LLC" OF GARDENA, CA FOR STEEL CONSTRUCTION. THE MANUFACTURER IS TO SUPPLY ALL PRECAST CONCRETE "STEPTREAD" SYSTEM PARTS, FEATURING BOTTOM WELD PLATES FOR WELD-ON CONNECTIONS. ALL REINFORCING AND CONNECTION PLATES WILL BE ZINC PLATED. ONLY ITEMS NOTED AS BY "STEPSTONE, LLC" WILL BE FURNISHED BY "STEPSTONE, LLC" SUCH ITEMS ARE TO BE INSTALLED BY OTHERS.

FILE: STP-5.1-16  
REV: 06.02.11

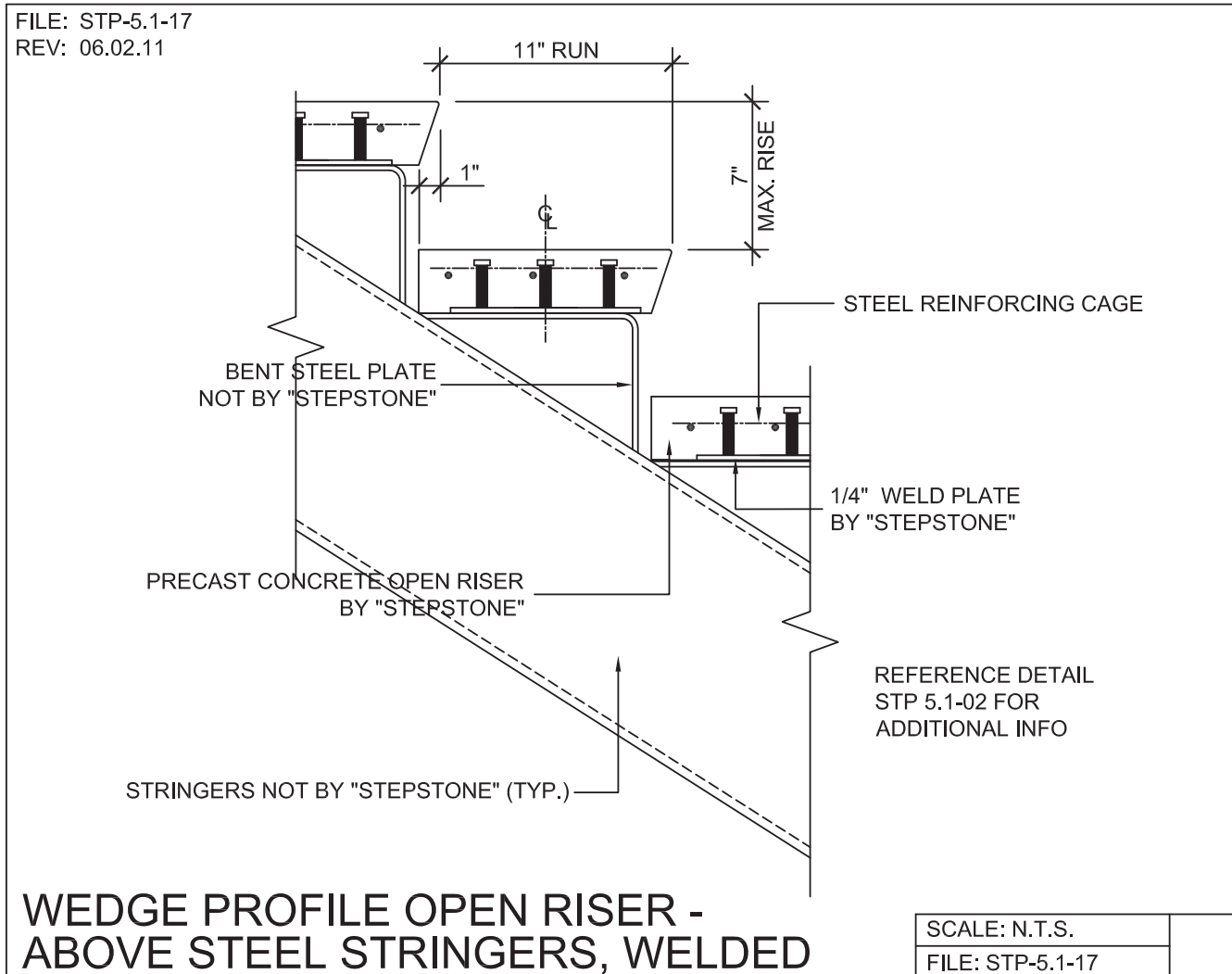


**TOP STEP WEDGE PROFILE WITH RISER CONNECTOR PLATES**

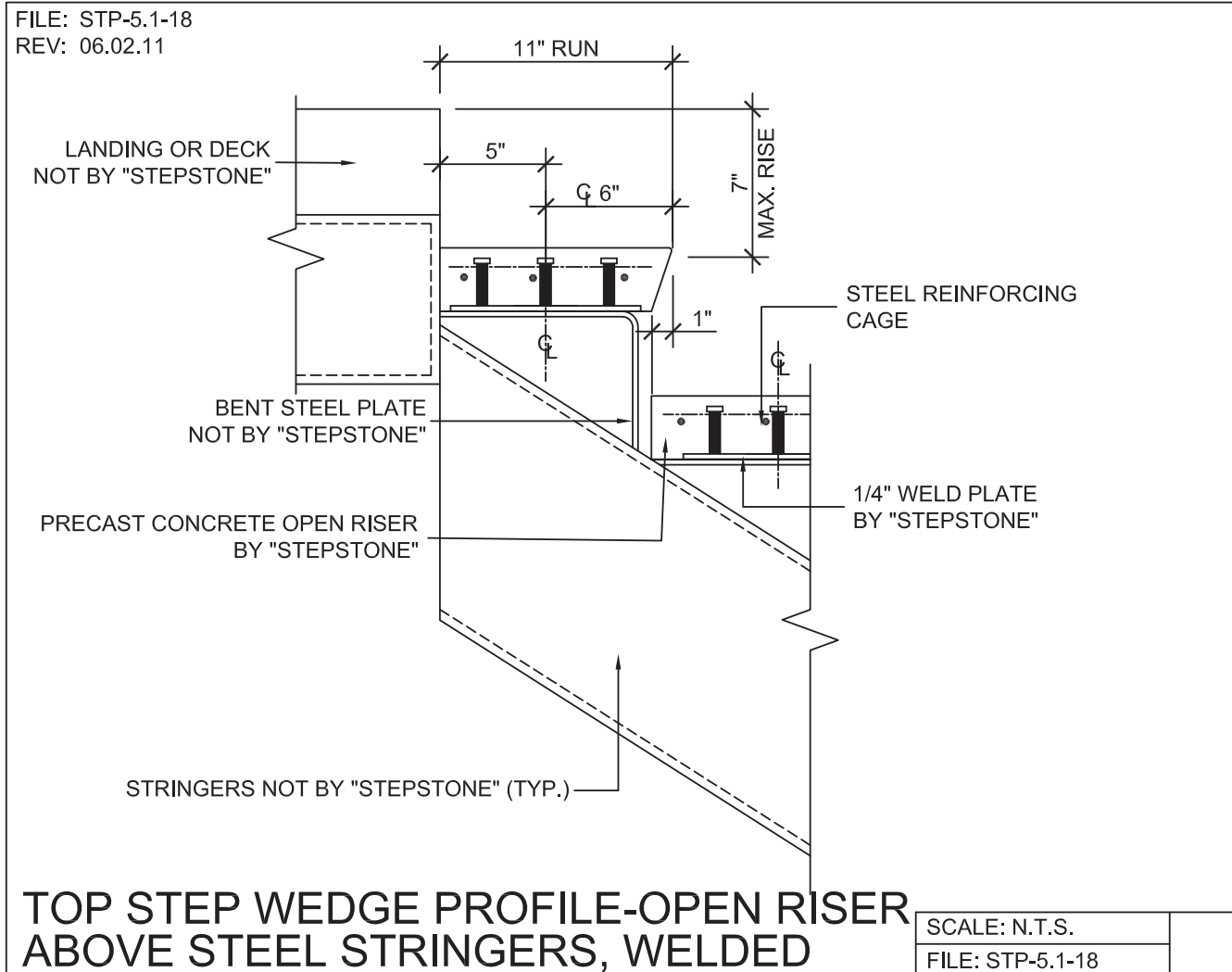
SCALE: N.T.S.	
FILE: STP-5.1-16	

PRECAST CONCRETE TREADS AND LANDINGS SHOWN ON PLANS SHALL BE FROM THE LONG SPAN "STEPTREAD" SYSTEM BY "STEPSTONE, LLC" OF GARDENA, CA FOR STEEL CONSTRUCTION. THE MANUFACTURER IS TO SUPPLY ALL PRECAST CONCRETE "STEPTREAD" SYSTEM PARTS, FEATURING BOTTOM WELD PLATES FOR WELD-ON CONNECTIONS. ALL REINFORCING AND CONNECTION PLATES WILL BE ZINC PLATED. ONLY ITEMS NOTED AS BY "STEPSTONE, LLC" WILL BE FURNISHED BY "STEPSTONE, LLC" SUCH ITEMS ARE TO BE INSTALLED BY OTHERS.





PRECAST CONCRETE TREADS AND LANDINGS SHOWN ON PLANS SHALL BE FROM THE LONG SPAN "STEPTREAD" SYSTEM BY "STEPSTONE, LLC" OF GARDENA, CA FOR STEEL CONSTRUCTION. THE MANUFACTURER IS TO SUPPLY ALL PRECAST CONCRETE "STEPTREAD" SYSTEM PARTS, FEATURING BOTTOM WELD PLATES FOR WELD-ON CONNECTIONS. ALL REINFORCING AND CONNECTION PLATES WILL BE ZINC PLATED. ONLY ITEMS NOTED AS BY "STEPSTONE, LLC" WILL BE FURNISHED BY "STEPSTONE, LLC" SUCH ITEMS ARE TO BE INSTALLED BY OTHERS.



PRECAST CONCRETE TREADS AND LANDINGS SHOWN ON PLANS SHALL BE FROM THE LONG SPAN "STEPTREAD" SYSTEM BY "STEPSTONE, LLC" OF GARDENA, CA FOR STEEL CONSTRUCTION. THE MANUFACTURER IS TO SUPPLY ALL PRECAST CONCRETE "STEPTREAD" SYSTEM PARTS, FEATURING BOTTOM WELD PLATES FOR WELD-ON CONNECTIONS. ALL REINFORCING AND CONNECTION PLATES WILL BE ZINC PLATED. ONLY ITEMS NOTED AS BY "STEPSTONE, LLC" WILL BE FURNISHED BY "STEPSTONE, LLC" SUCH ITEMS ARE TO BE INSTALLED BY OTHERS.