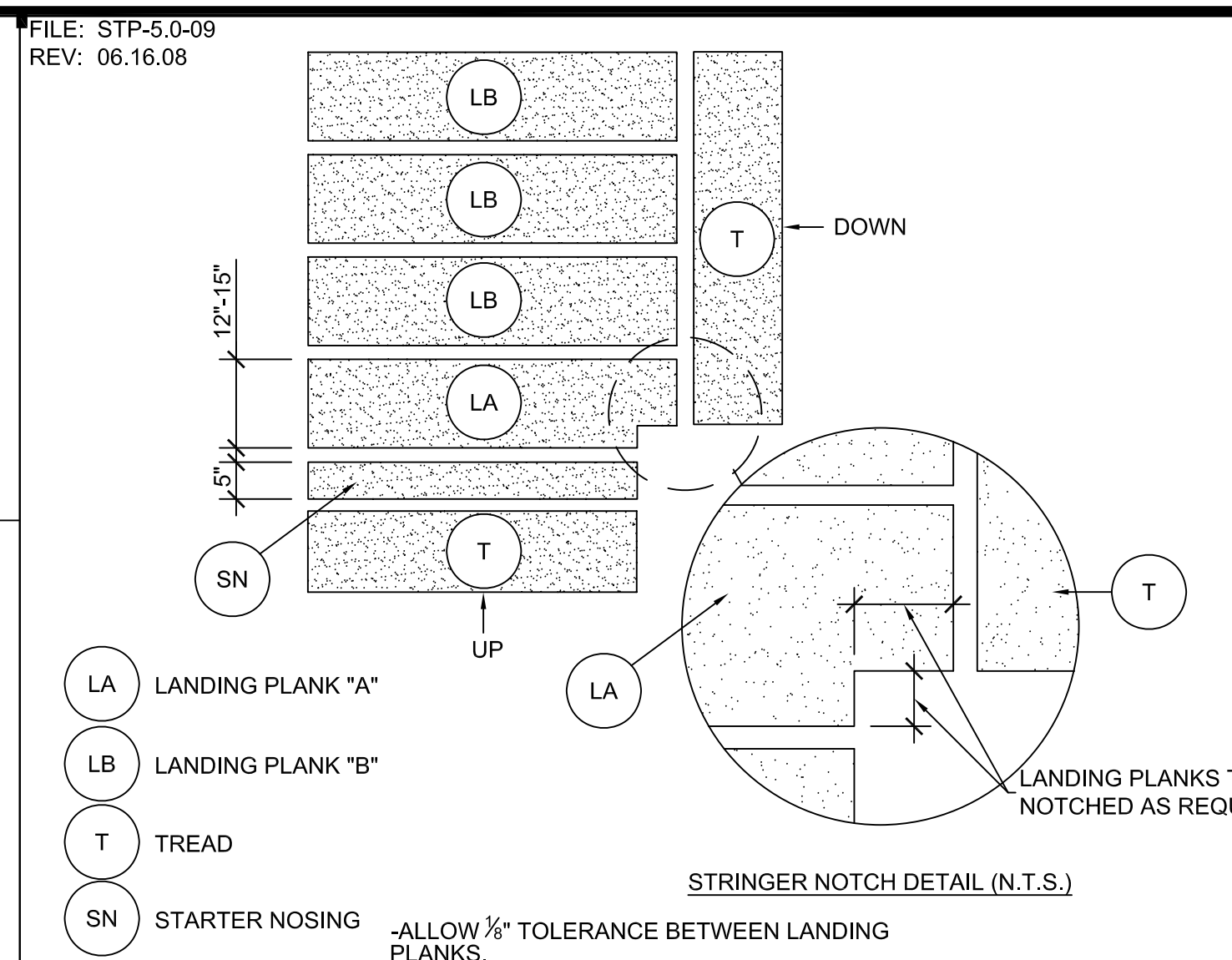


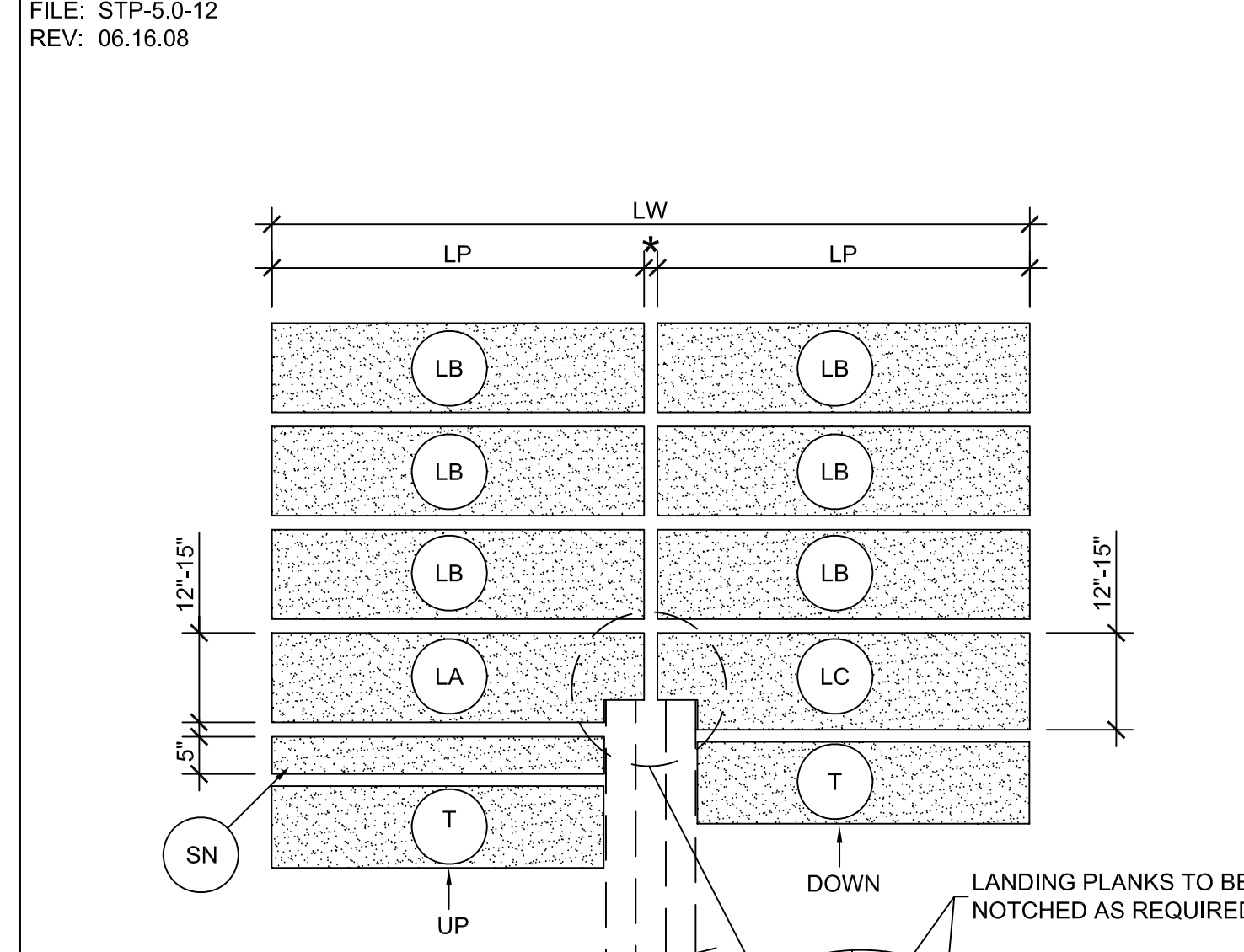
13 STRAIGHT LANDING - SECTION SCALE: 1-1/2"=1'-0" FILE: STP-5.0-13



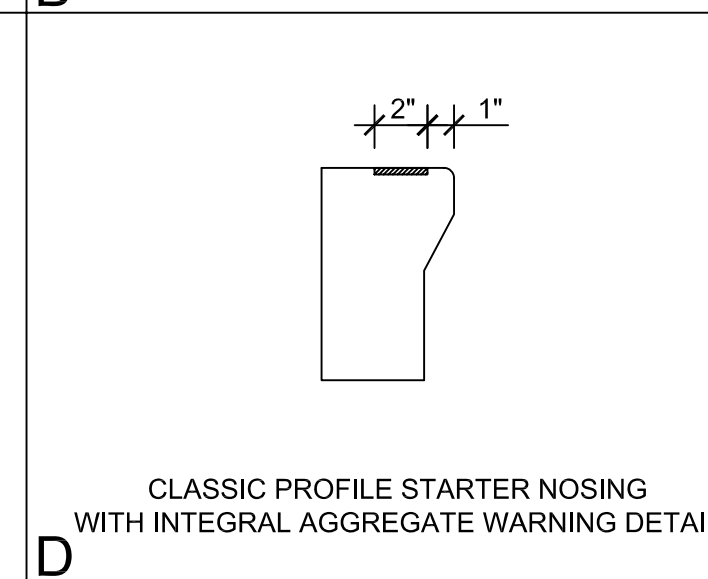
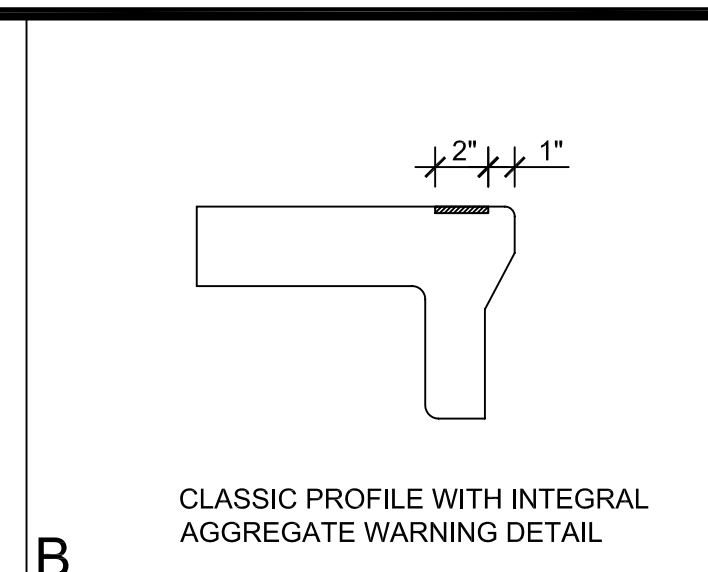
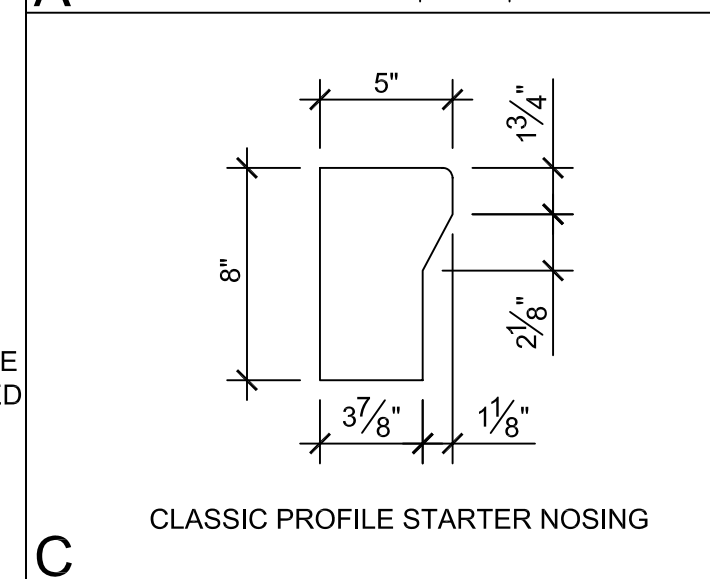
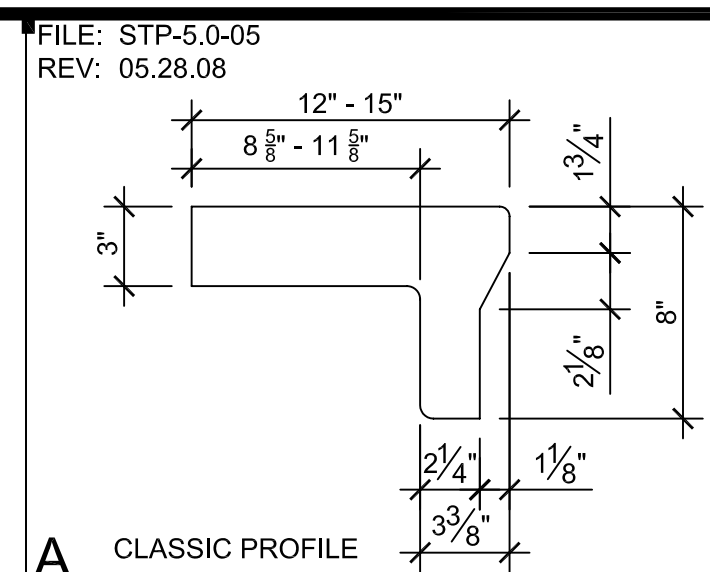
14 90° LANDING SCALE: 1/2"=1'-0" FILE: STP-5.0-09



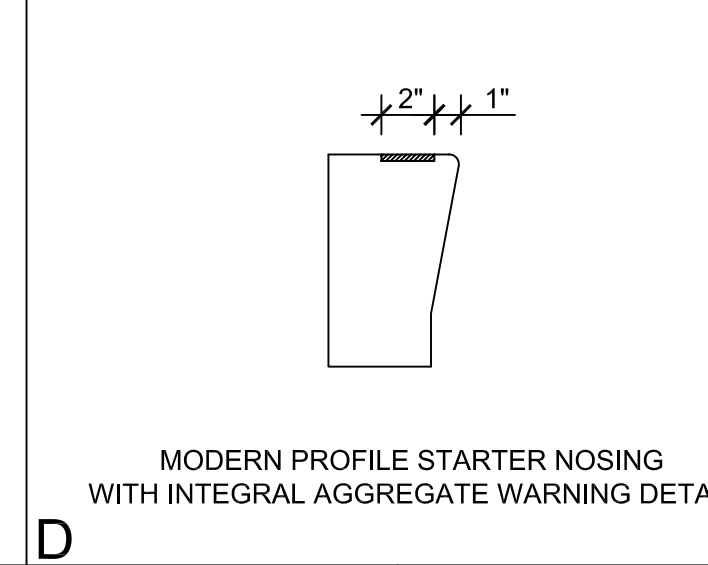
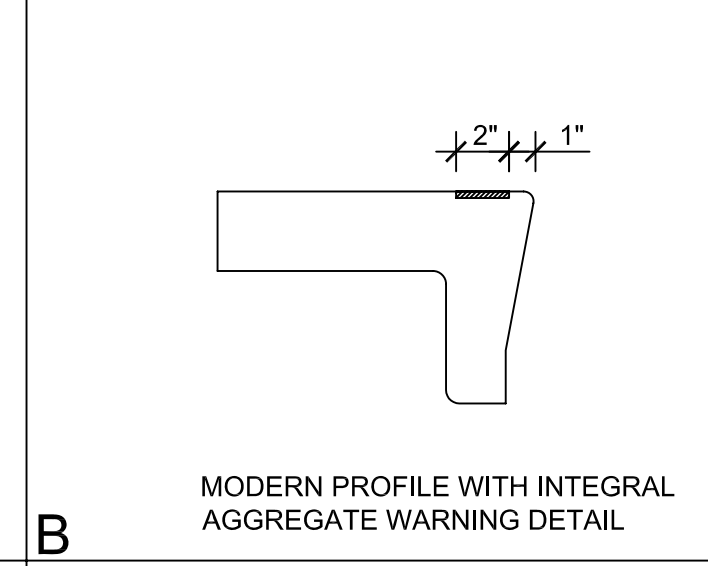
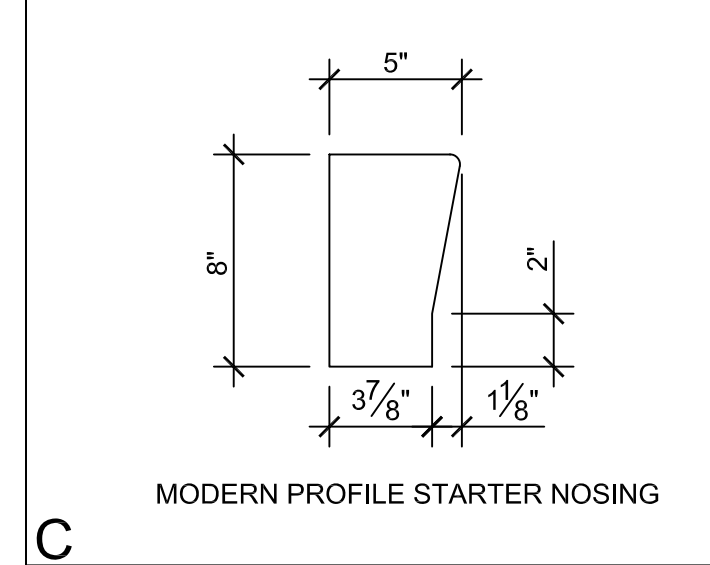
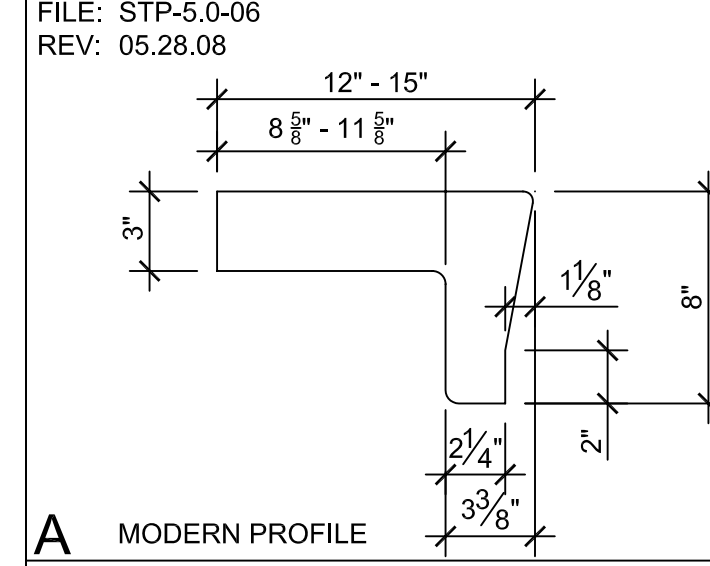
15 180° LANDING SCALE: 1/2"=1'-0" FILE: STP-5.0-12



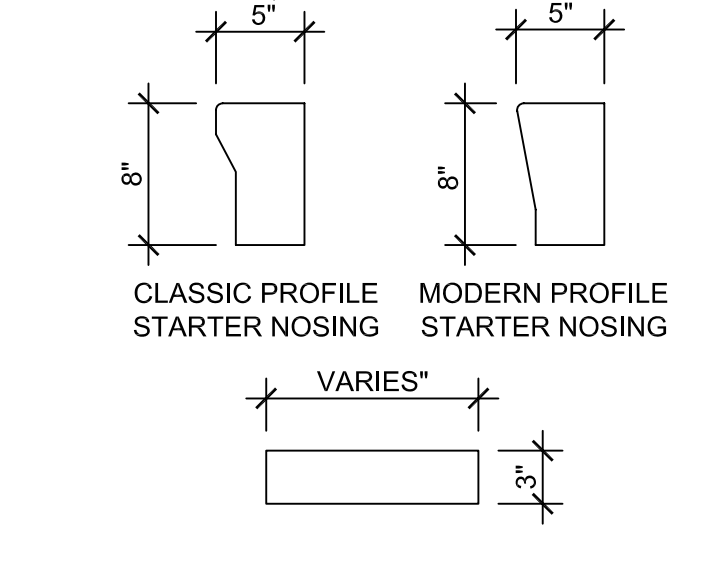
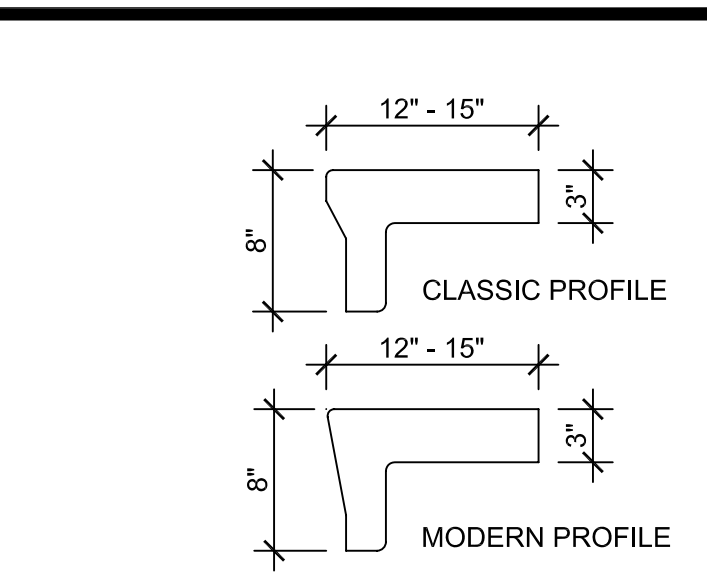
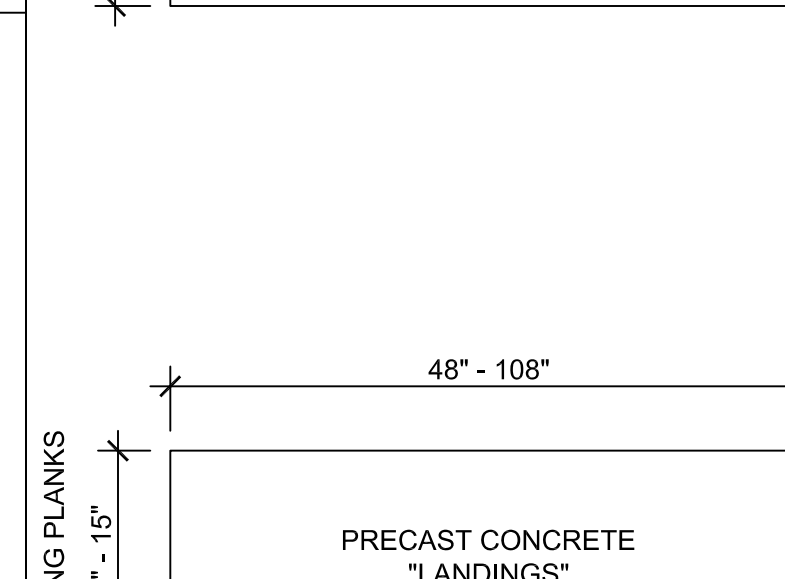
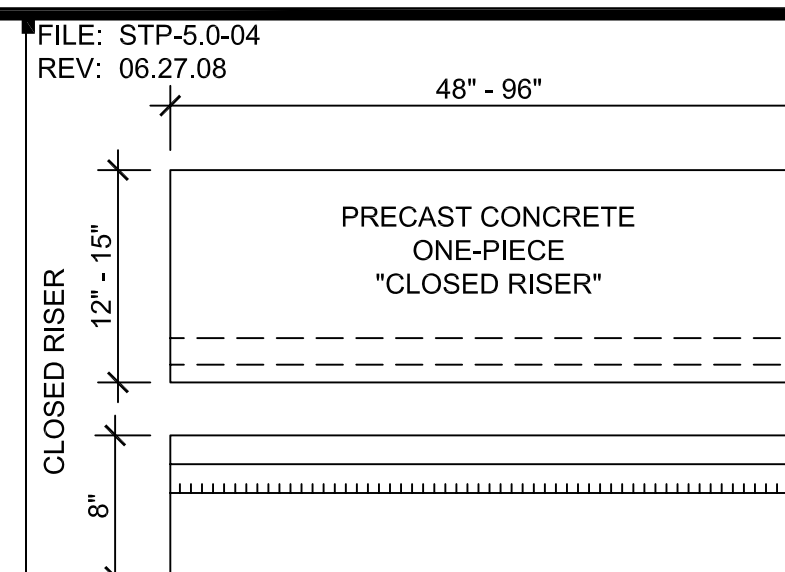
16 STRAIGHT STAIR INTERMEDIATE/ TOP LANDING SCALE: 1/2"=1'-0" FILE: STP-5.0-12



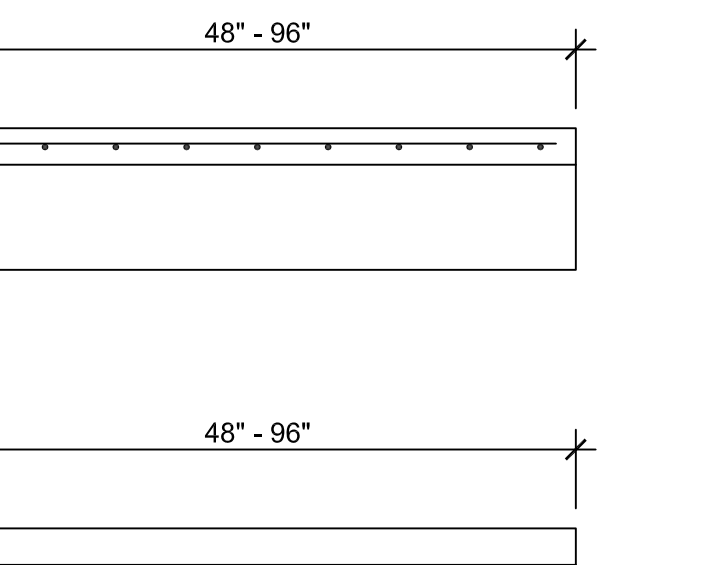
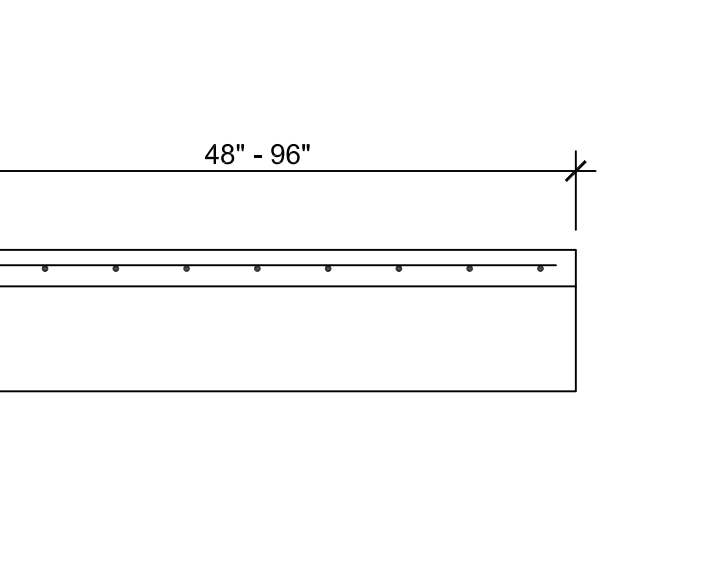
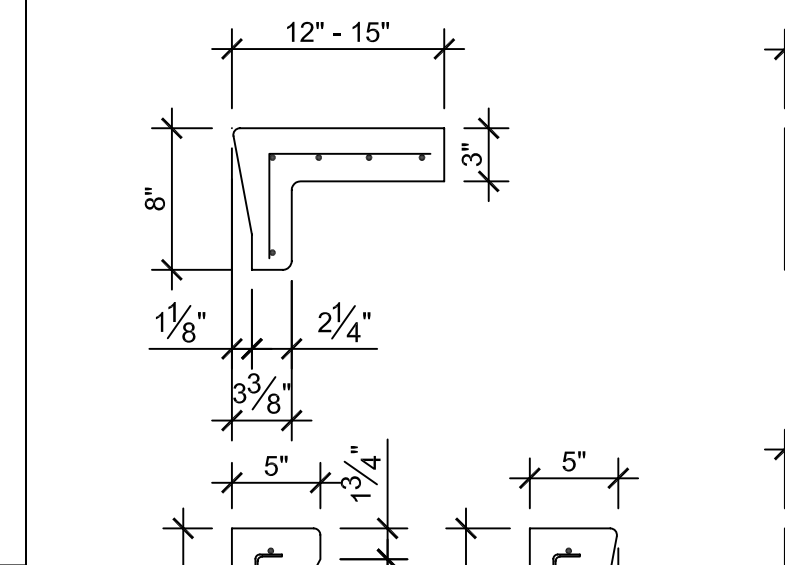
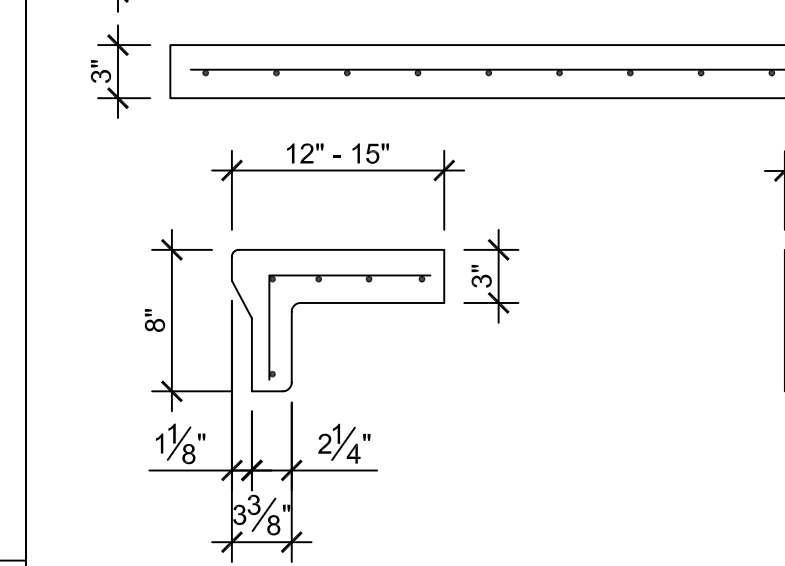
9 TREAD DETAILS-CLASSIC SCALE: 1-1/2"=1'-0" FILE: STP-5.0-05



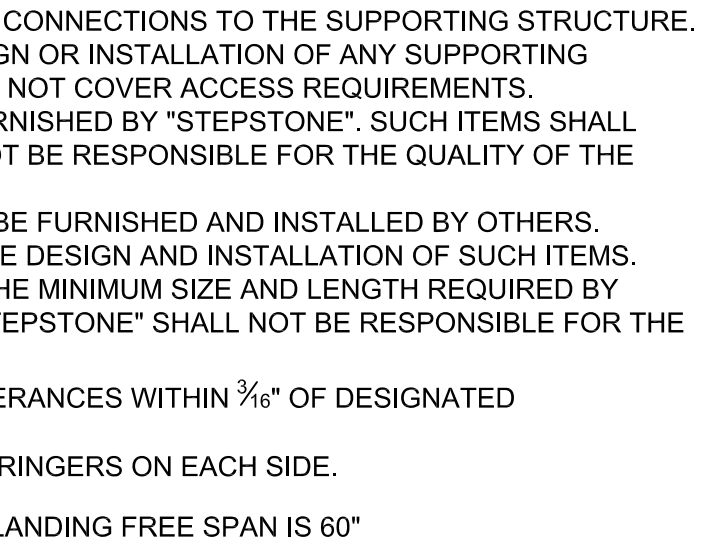
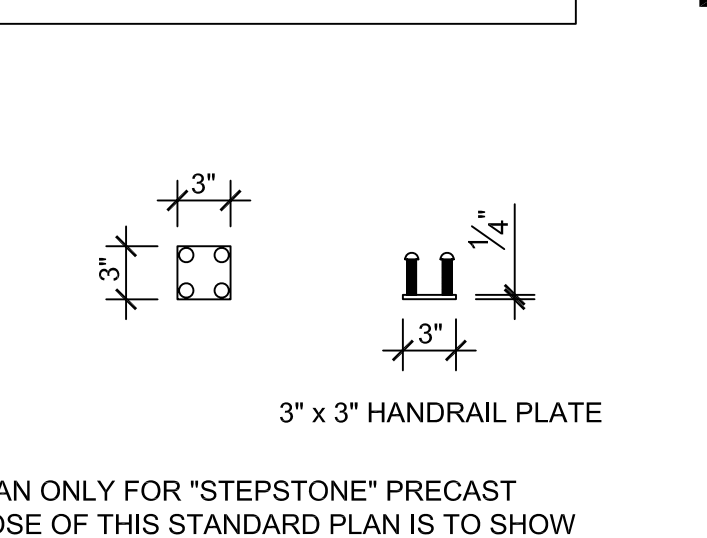
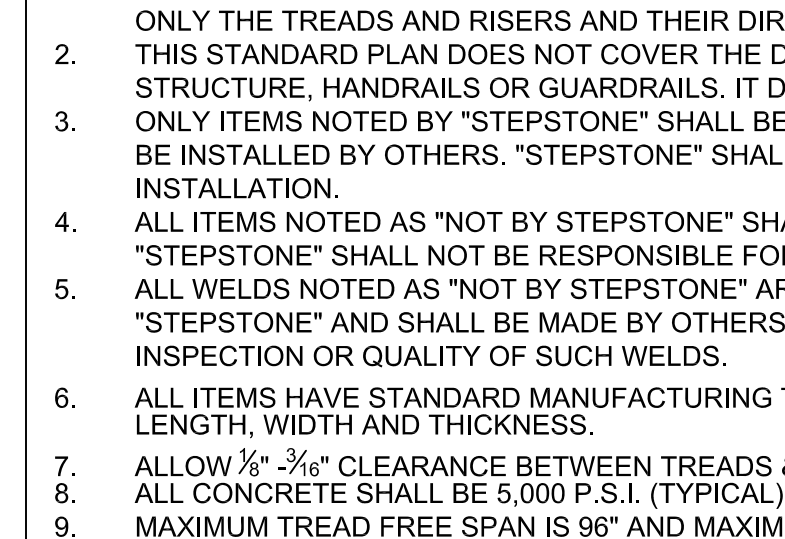
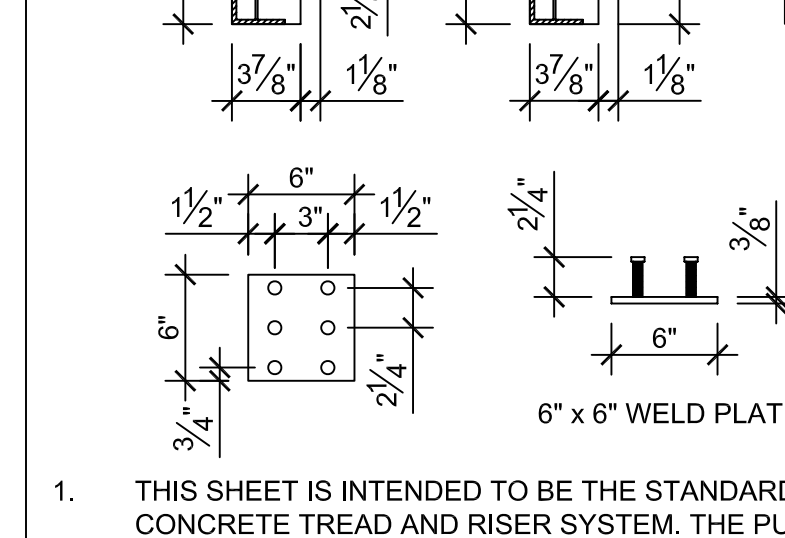
10 TREAD DETAILS-MODERN SCALE: 1-1/2"=1'-0" FILE: STP-5.0-06



11 PRECAST CONCRETE ONE-PIECE 'CLOSED RISER' SCALE: 1-1/2"=1'-0" FILE: STP-5.0-04



12 PRECAST CONCRETE 'LANDINGS' SCALE: 1-1/2"=1'-0" FILE: STP-5.0-04



13 GENERAL DETAILS SCALE: N.T.S. FILE: STP-5.0-04

1. THIS SHEET IS INTENDED TO BE THE STANDARD PLAN ONLY FOR 'STEPSTONE' PRECAST CONCRETE TREAD AND RISER SYSTEM. THE PURPOSE OF THIS STANDARD PLAN IS TO SHOW ONLY THE TREADS AND RISERS AND THEIR DIRECT CONNECTIONS TO THE SUPPORTING STRUCTURE. THIS STANDARD PLAN DOES NOT COVER THE DESIGN OR INSTALLATION OF ANY SUPPORTING STRUCTURE, HANDRAILS OR GUARDRAILS. IT DOES NOT COVER ACCESS REQUIREMENTS.

2. ONLY ITEMS NOTED BY 'STEPSTONE' SHALL BE FURNISHED BY 'STEPSTONE'. SUCH ITEMS SHALL BE INSTALLED BY OTHERS. 'STEPSTONE' SHALL NOT BE RESPONSIBLE FOR THE QUALITY OF THE INSTALLATION.

3. ALL ITEMS NOTED AS 'NOT BY STEPSTONE' SHALL BE FURNISHED AND INSTALLED BY OTHERS. 'STEPSTONE' SHALL NOT BE RESPONSIBLE FOR THE DESIGN AND INSTALLATION OF SUCH ITEMS.

4. ALL WELDS NOTED AS 'NOT BY STEPSTONE' ARE THE MINIMUM SIZE AND LENGTH REQUIRED BY 'STEPSTONE' AND SHALL BE MADE BY OTHERS. 'STEPSTONE' SHALL NOT BE RESPONSIBLE FOR THE INSPECTION OR QUALITY OF SUCH WELDS.

5. ALL ITEMS HAVE STANDARD MANUFACTURING TOLERANCES WITHIN 1/16" OF DESIGNATED LENGTH, WIDTH AND THICKNESS.

6. ALLOW 1/8" CLEARANCE BETWEEN TREADS & STRINGERS ON EACH SIDE.

7. ALL CONCRETE SHALL BE 5,000 P.S.I. (TYPICAL)

8. MAXIMUM TREAD FREE SPAN IS 96" AND MAXIMUM LANDING FREE SPAN IS 60"

PRECAST CONCRETE TREADS, LANDINGS, AND BALCONIES SHOWN ON PLANS SHALL BE FROM THE 'STEPSTAIR' SYSTEM BY 'STEPSTONE, INC.' OF GARDENA, CA. FOR STEEL CONSTRUCTION, THE MANUFACTURER IS TO SUPPLY ALL PRECAST CONCRETE PARTS WITH EACH 'STEPSTAIR' AND FEATURING A BOTTOM WELD PLATE. ALL REINFORCING AND CONNECTIONS WILL ZINC PLATED.

STEPSTONE, INC.

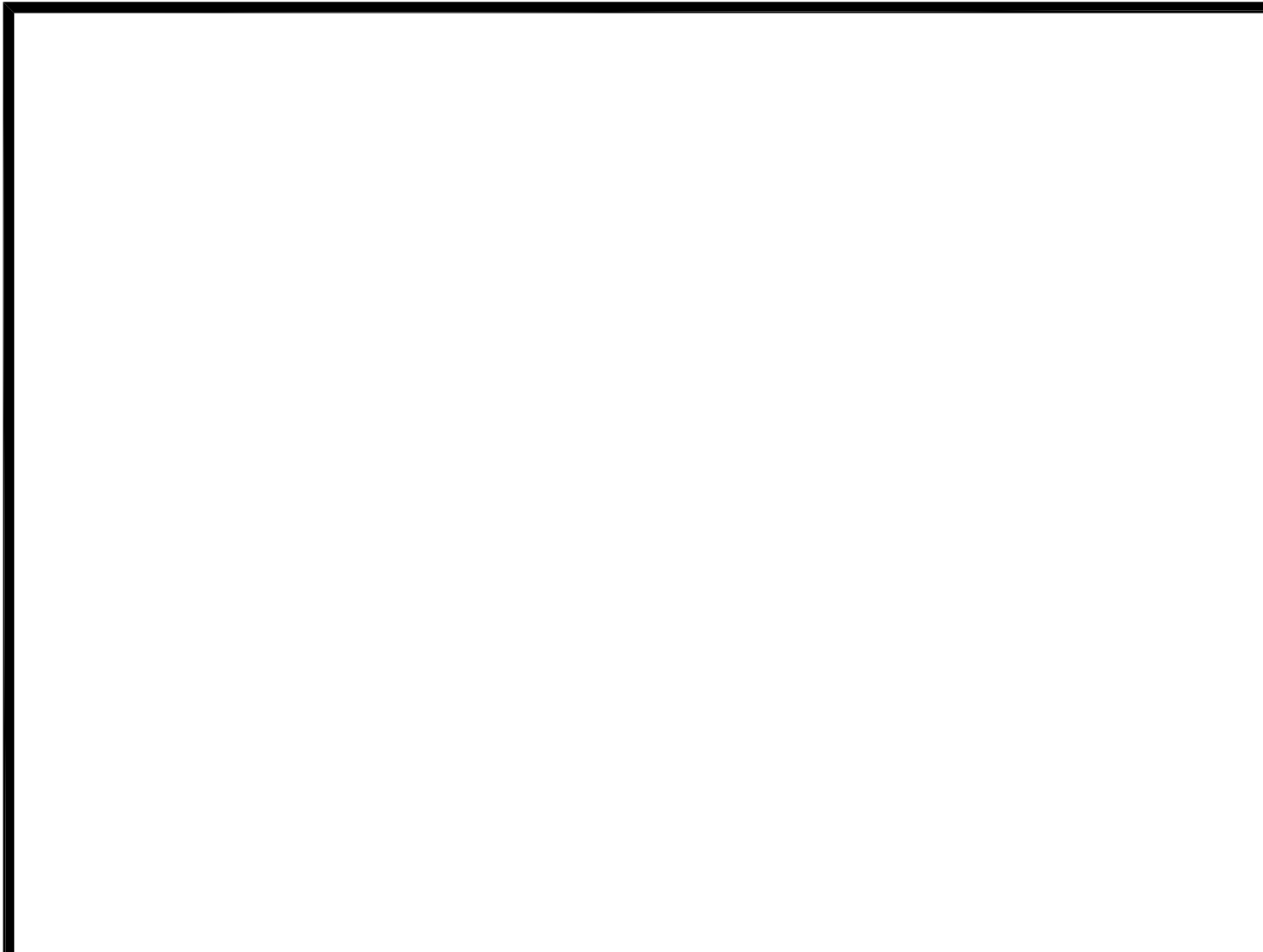
17025 SOUTH MAIN STREET, GARDENA, CA. 90248
1-800-572-9029
WWW.STEPSTONEINC.COM

REV	BY	DESCRIPTION	DATE
1			
2			
3			

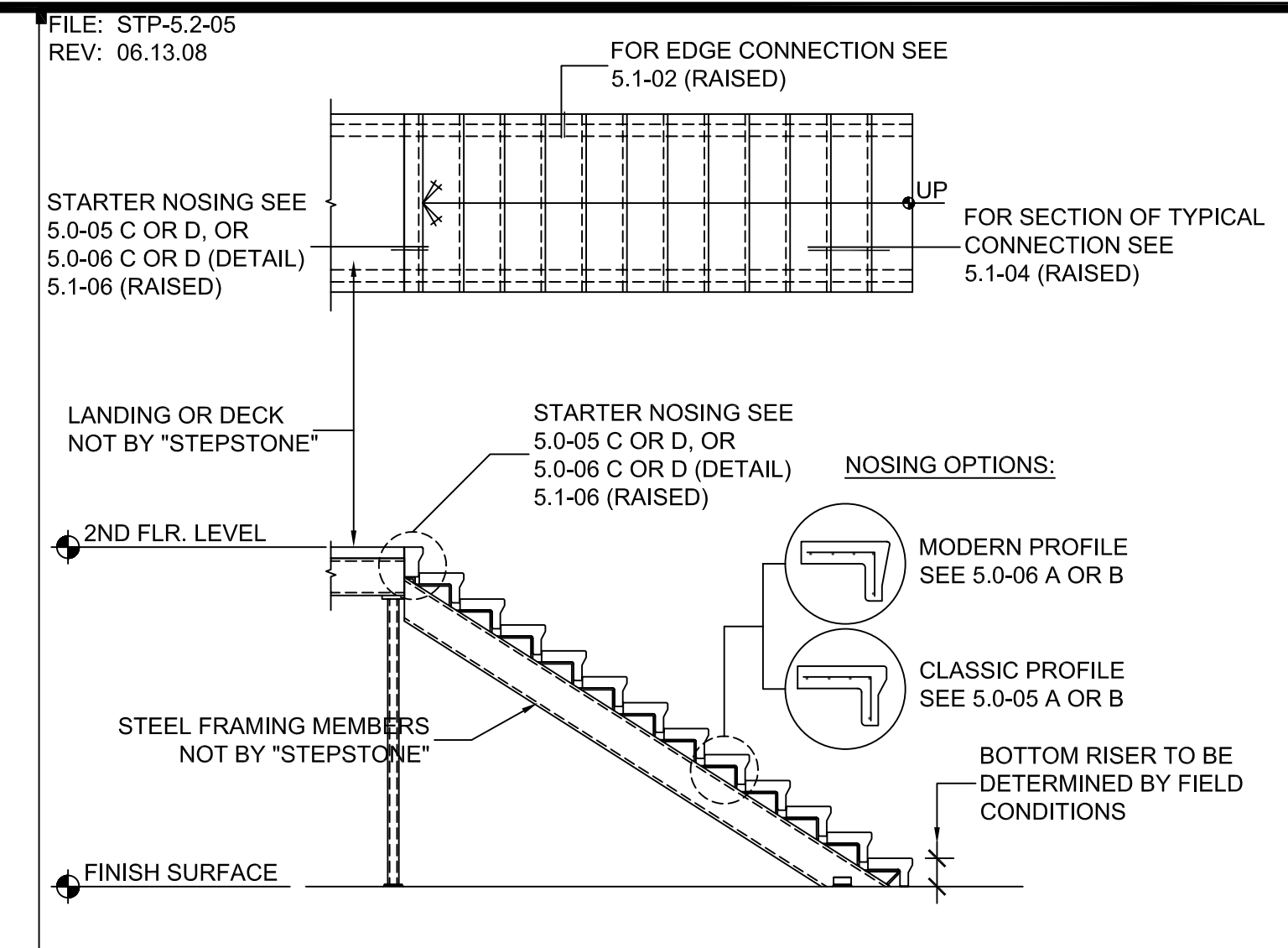
GENERAL INFORMATION
REV: 06.27.08

SHEET NUMBER
STP-5.0

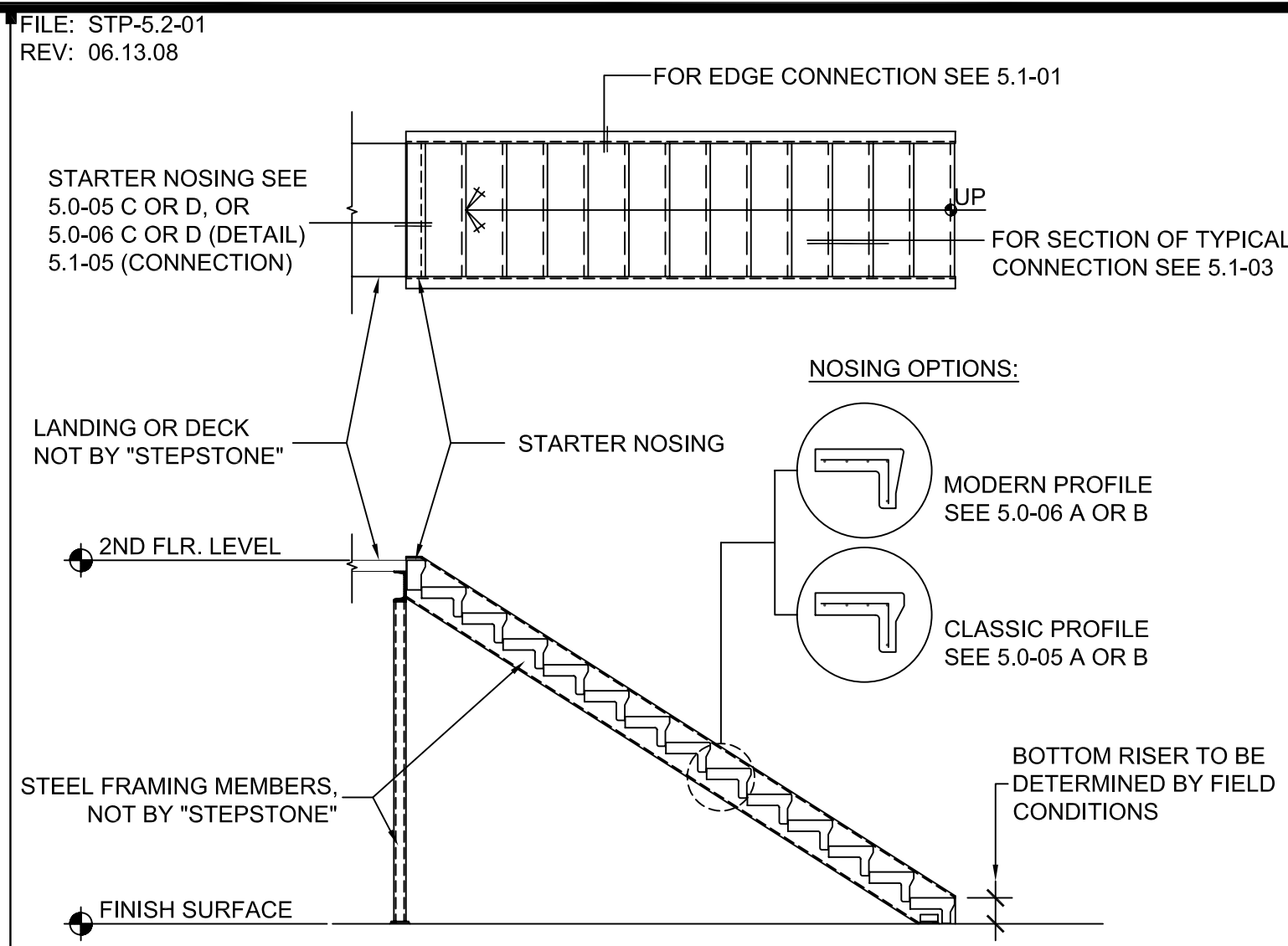
Stepstone Inc. - Long Span Staircase System



NOT USED SCALE: 1/4"=1'-0" FILE: STP-5.2-01 13 NOT USED SCALE: 1/4"=1'-0" FILE: STP-5.2-01



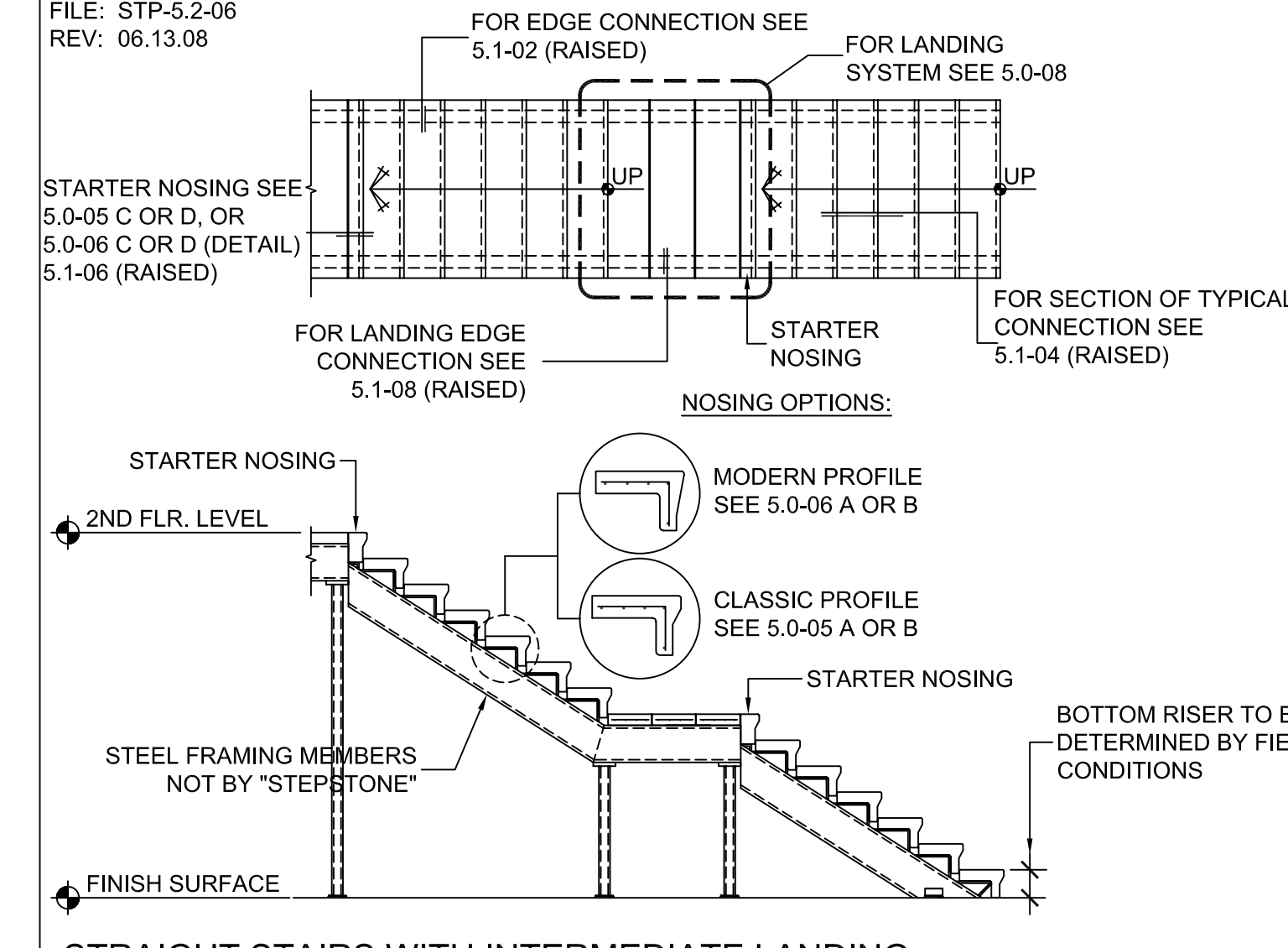
FILE: STP-5.2-05 REV: 06.13.08 STRAIGHT STAIRS - CLOSED RISER, ABOVE STEEL STRINGERS SCALE: 1/4"=1'-0" FILE: STP-5.2-05 5



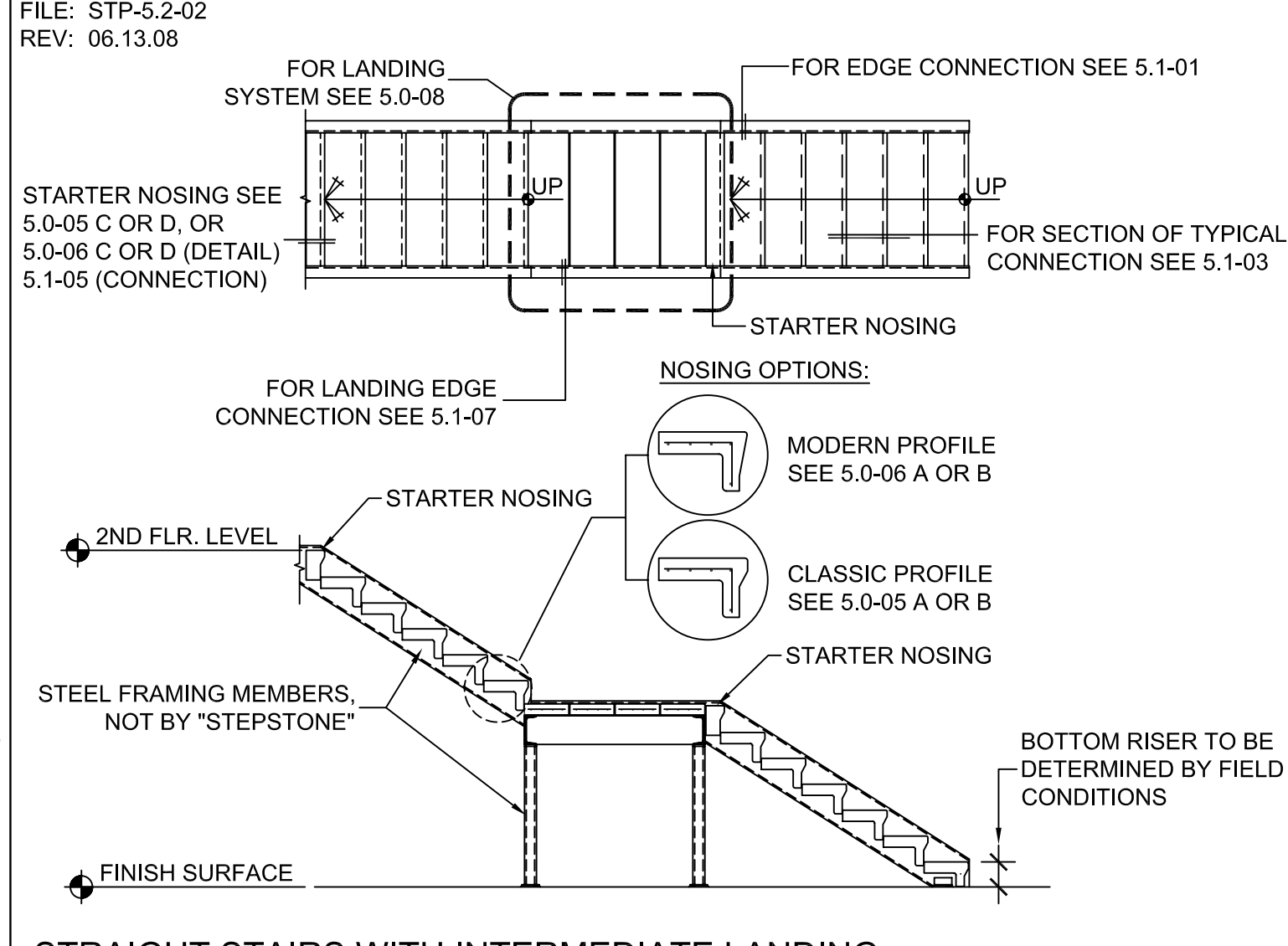
FILE: STP-5.2-01 REV: 06.13.08 STRAIGHT STAIRS - CLOSED RISER, BETWEEN STEEL STRINGERS SCALE: 1/4"=1'-0" FILE: STP-5.2-01 1



NOT USED SCALE: 1/4"=1'-0" FILE: STP-5.2-02 14 NOT USED SCALE: 1/4"=1'-0" FILE: STP-5.2-02



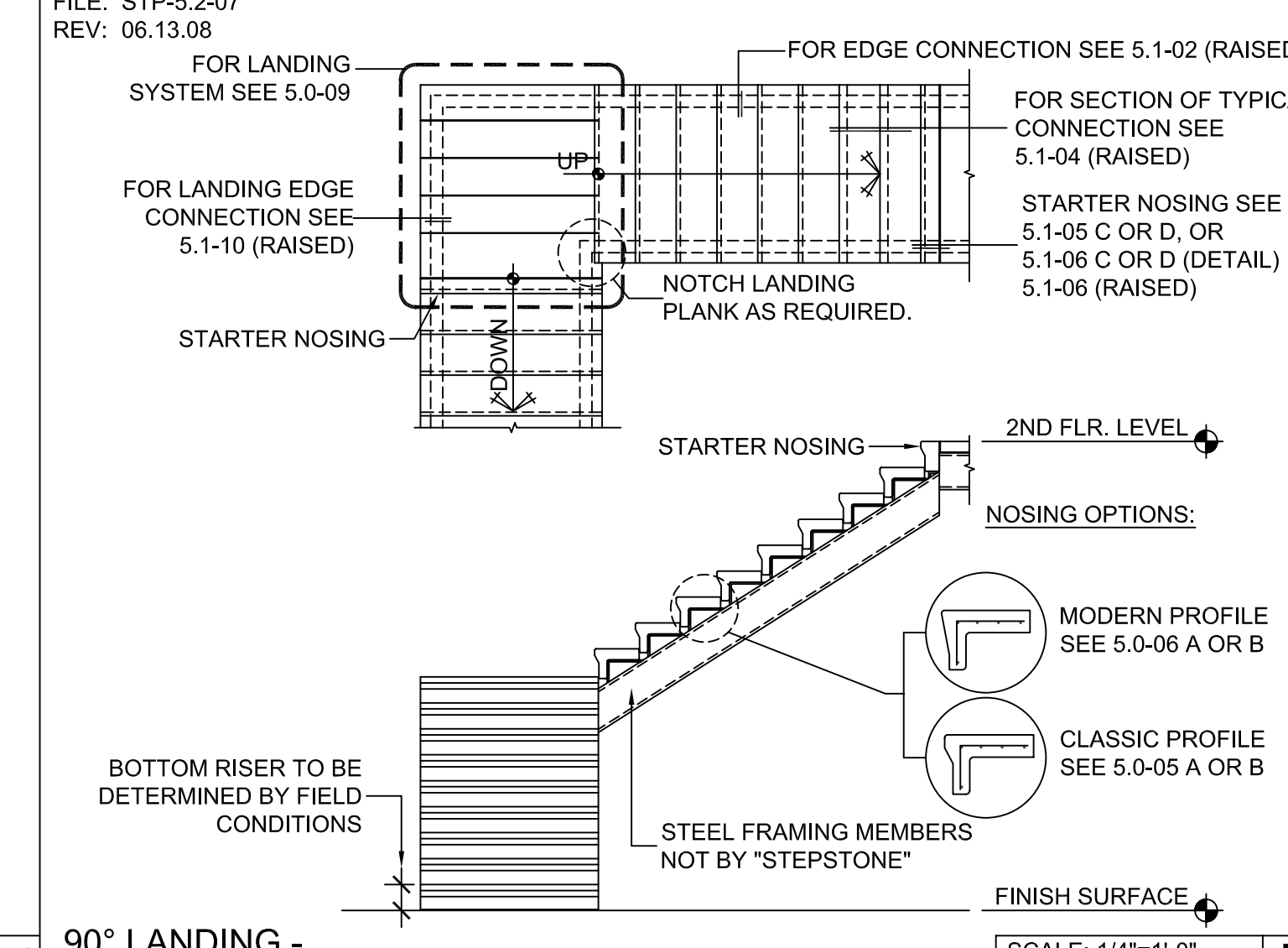
FILE: STP-5.2-06 REV: 06.13.08 STRAIGHT STAIRS WITH INTERMEDIATE LANDING - CLOSED RISER, ABOVE STEEL STRINGERS SCALE: 1/4"=1'-0" FILE: STP-5.2-06 9



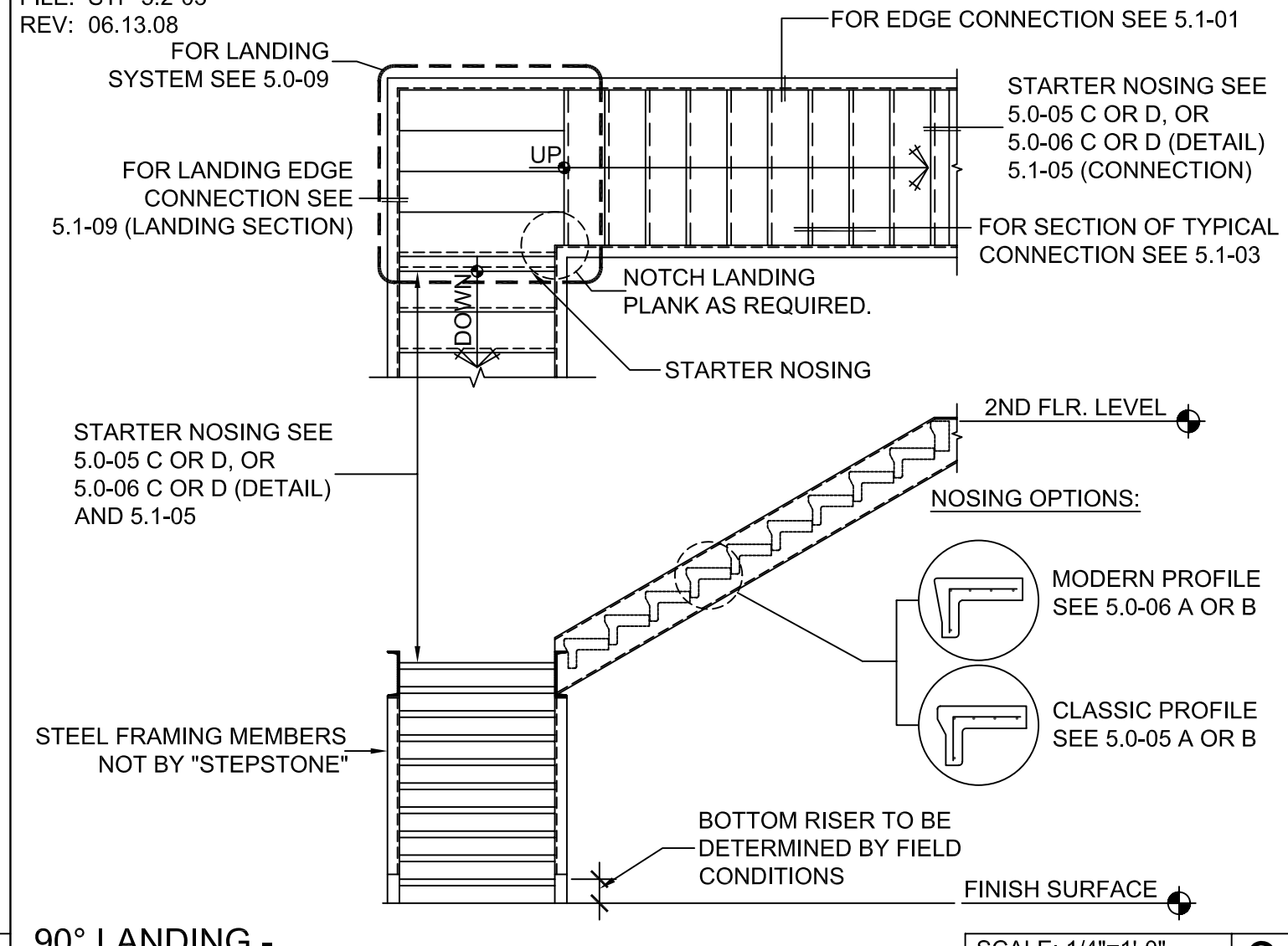
FILE: STP-5.2-02 REV: 06.13.08 STRAIGHT STAIRS WITH INTERMEDIATE LANDING - CLOSED RISER, BETWEEN STEEL STRINGERS SCALE: 1/4"=1'-0" FILE: STP-5.2-02 2



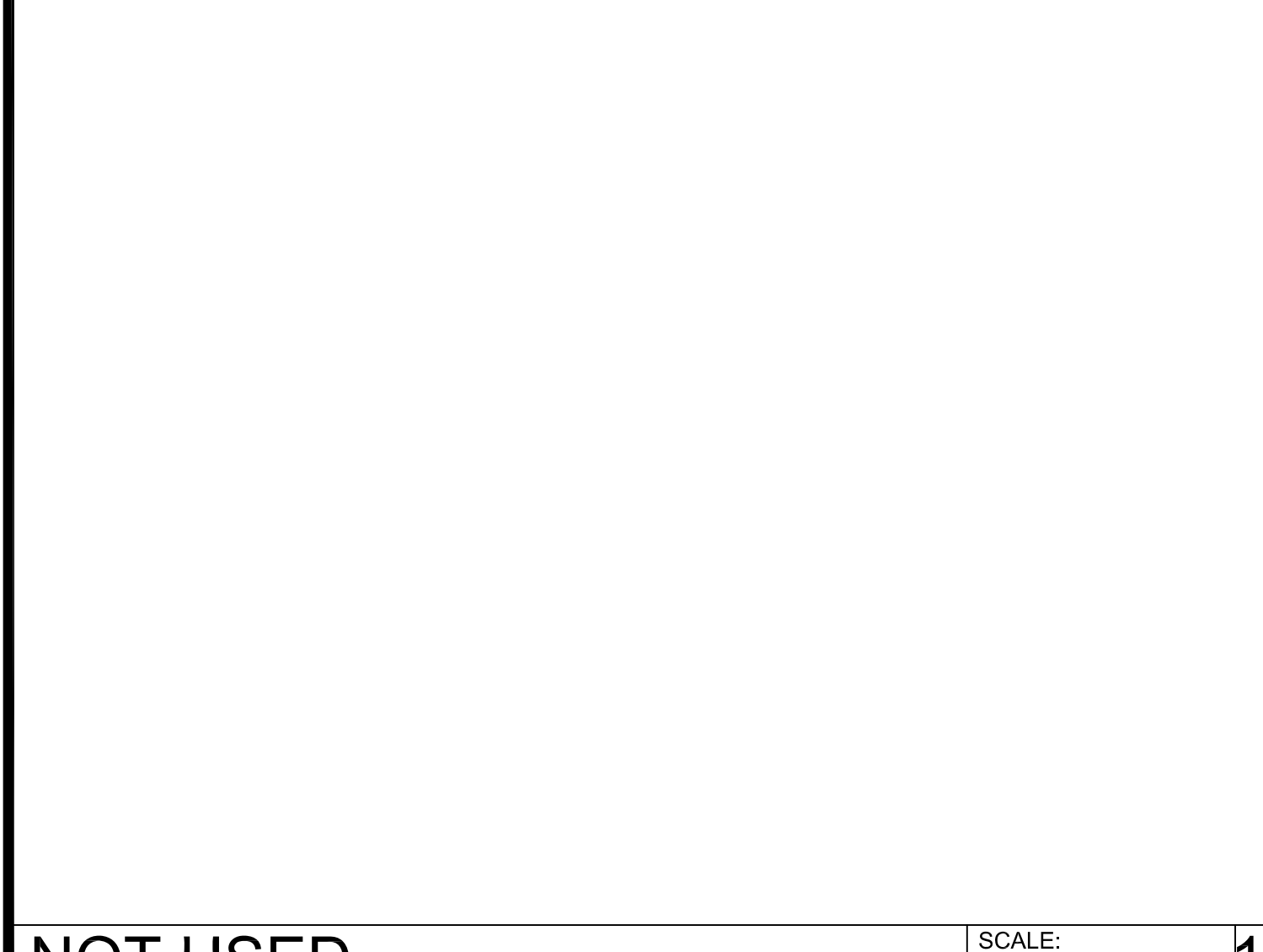
NOT USED SCALE: 1/4"=1'-0" FILE: STP-5.2-07 15 NOT USED SCALE: 1/4"=1'-0" FILE: STP-5.2-07



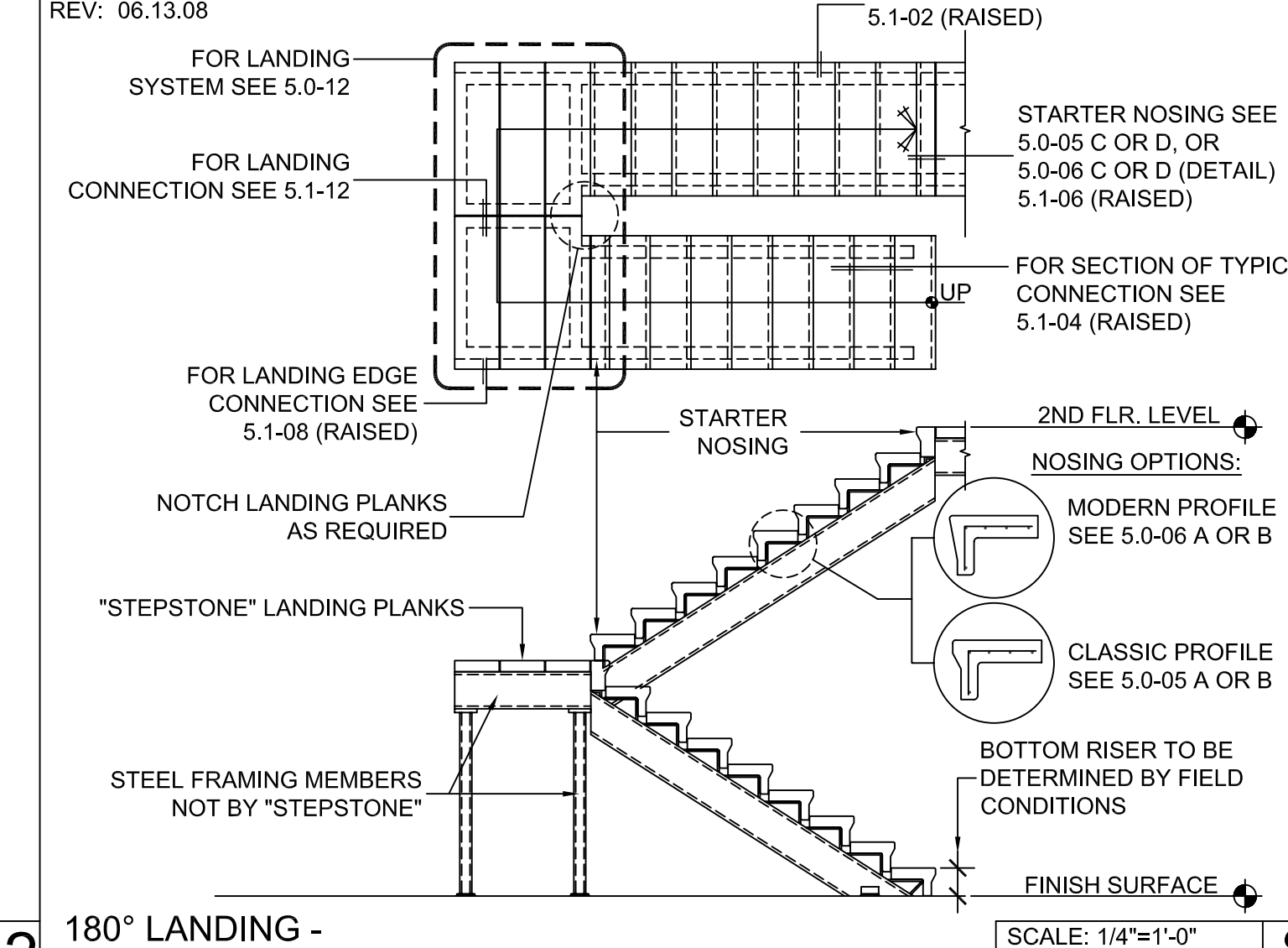
FILE: STP-5.2-07 REV: 06.13.08 90° LANDING - CLOSED RISER, ABOVE STEEL STRINGERS SCALE: 1/4"=1'-0" FILE: STP-5.2-07 7



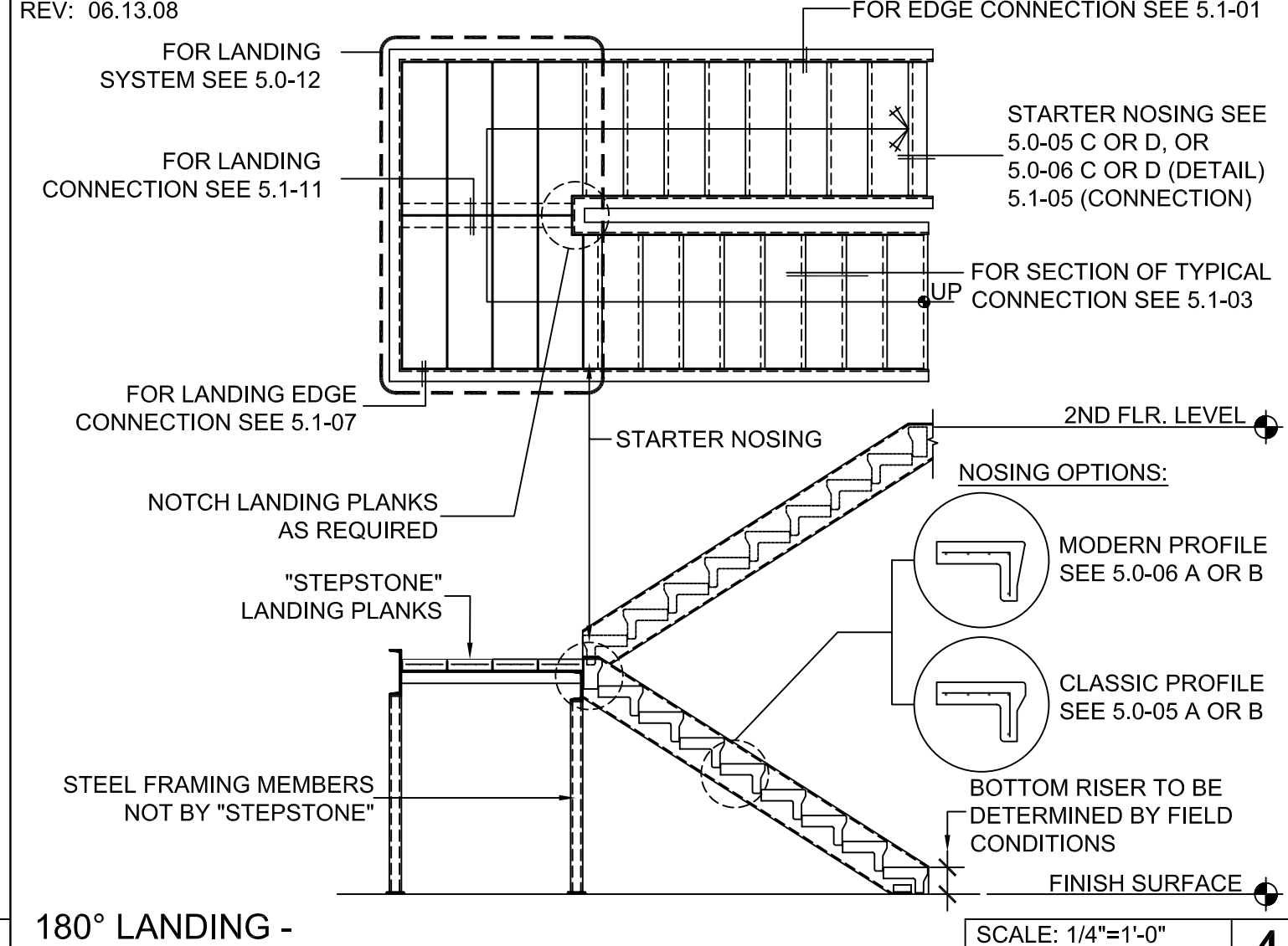
FILE: STP-5.2-03 REV: 06.13.08 90° LANDING - CLOSED RISER, BETWEEN STEEL STRINGERS SCALE: 1/4"=1'-0" FILE: STP-5.2-03 3



NOT USED SCALE: 1/4"=1'-0" FILE: STP-5.2-08 16 NOT USED SCALE: 1/4"=1'-0" FILE: STP-5.2-08

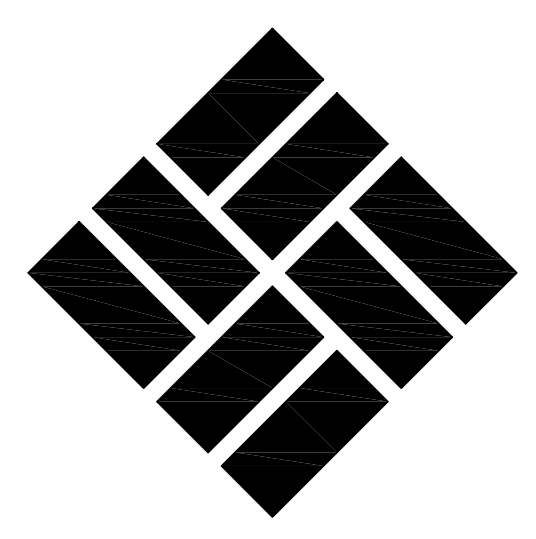


FILE: STP-5.2-08 REV: 06.13.08 180° LANDING - CLOSED RISER, ABOVE STEEL STRINGERS SCALE: 1/4"=1'-0" FILE: STP-5.2-08 8



FILE: STP-5.2-04 REV: 06.13.08 180° LANDING - CLOSED RISER, BETWEEN STEEL STRINGERS SCALE: 1/4"=1'-0" FILE: STP-5.2-04 4

STEPSTONE, INC.



17025 SOUTH MAIN STREET, GARDENA, CA. 90248
1-800-572-9029
WWW.STEPSTONEINC.COM

REV	BY	DESCRIPTION	DATE
1			
2			
3			

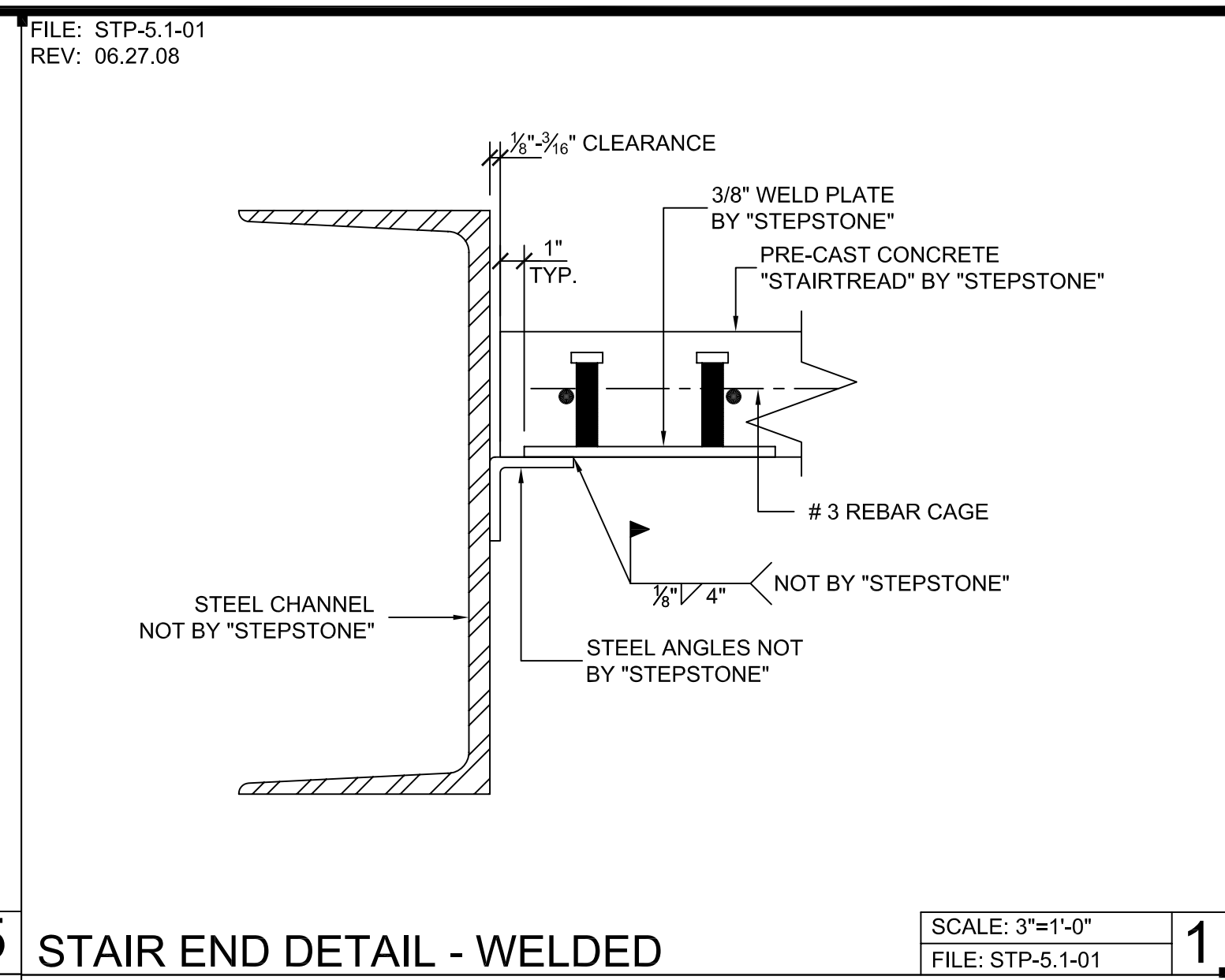
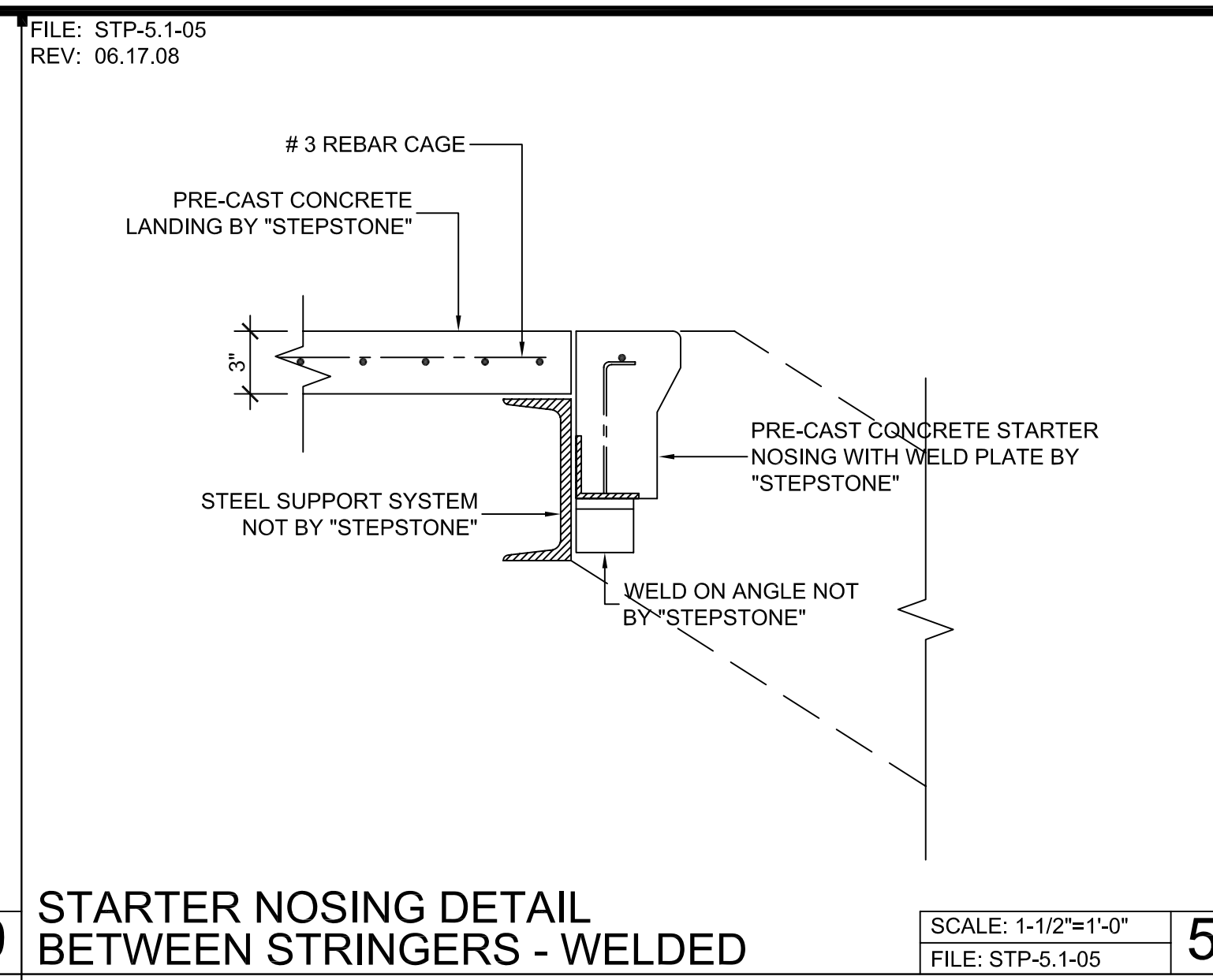
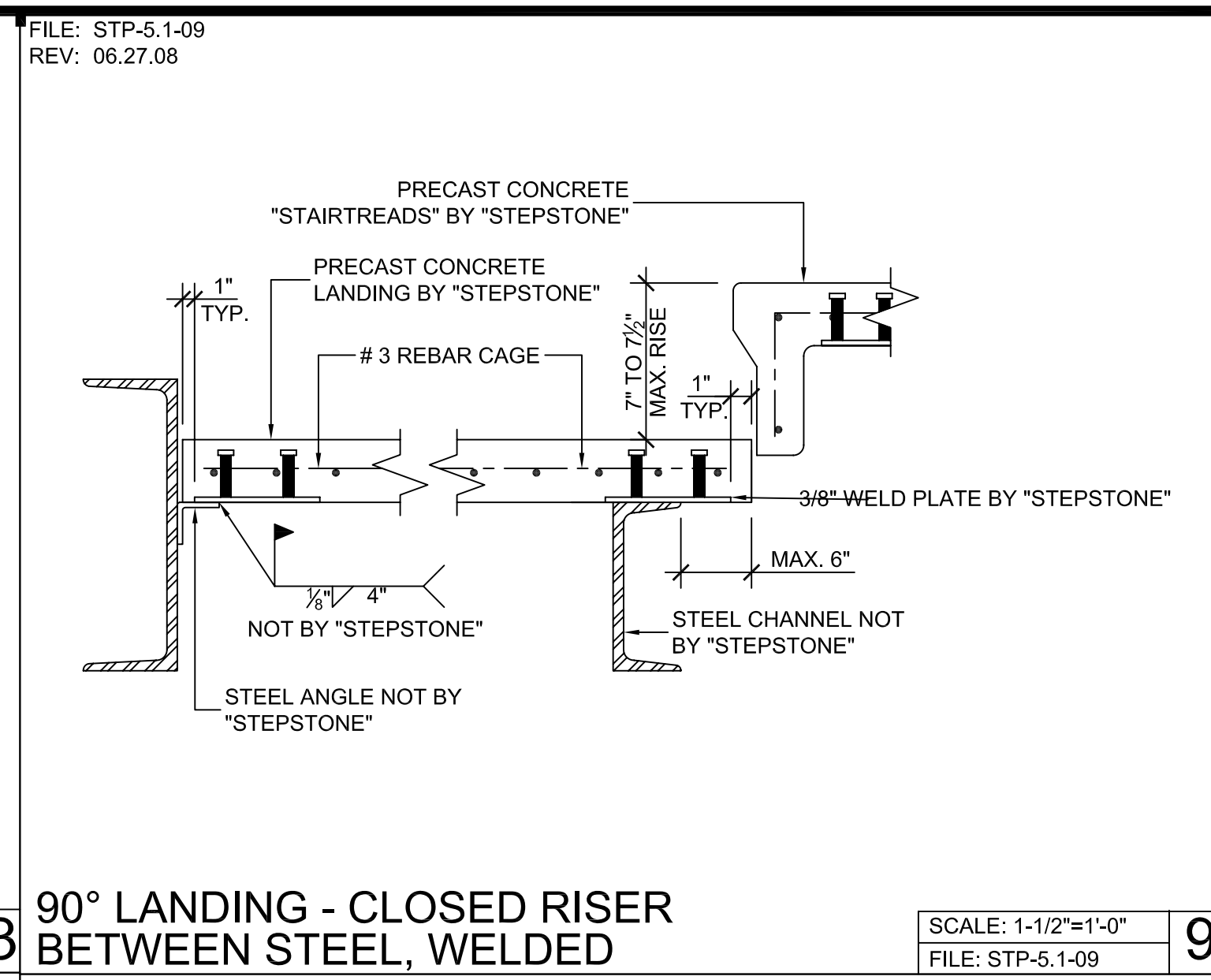
LAYOUT FOR STEEL STRINGERS
REV: 06.13.08

SHEET NUMBER
STP-5.2

NOT USED

SCALE: _____
FILE: _____

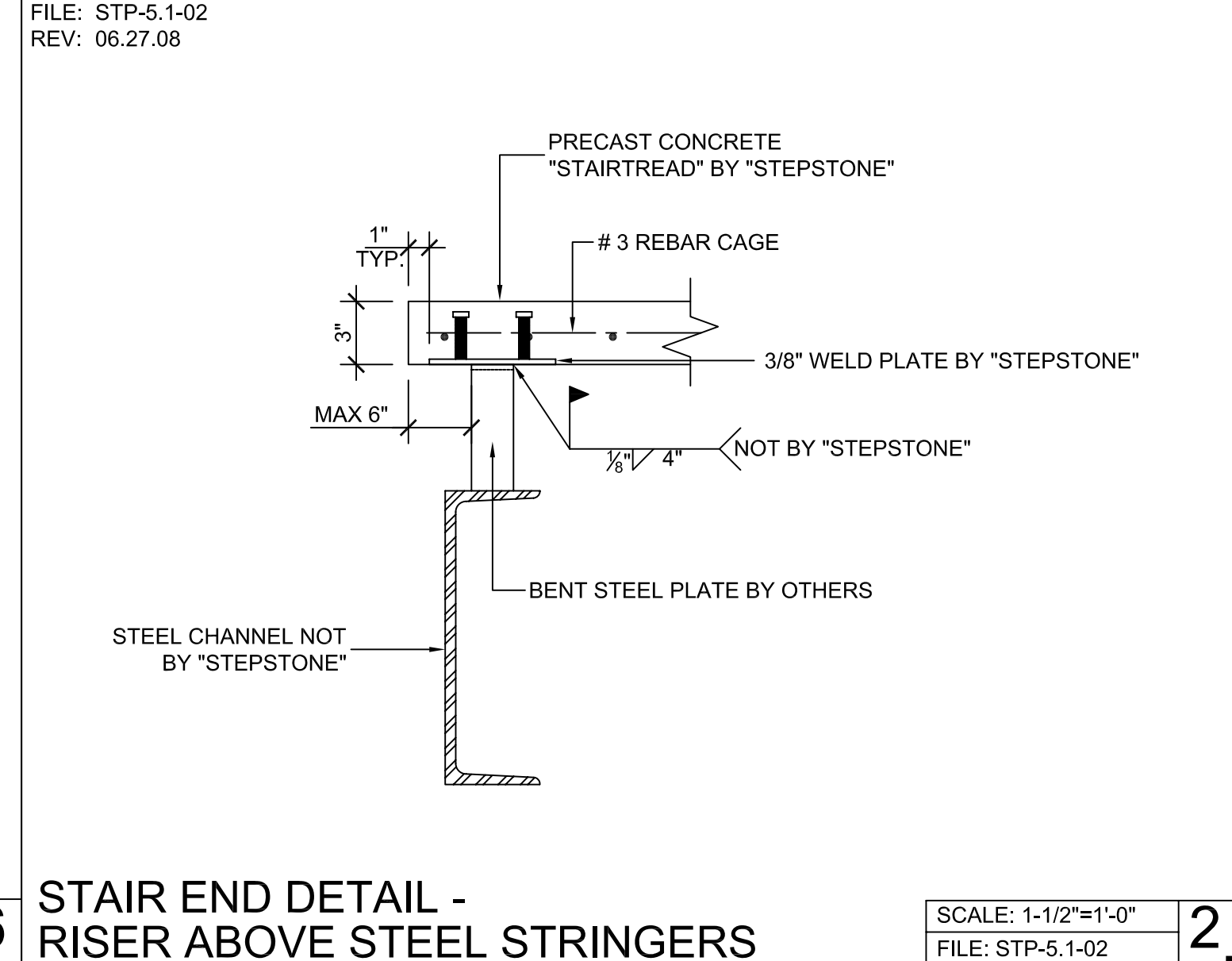
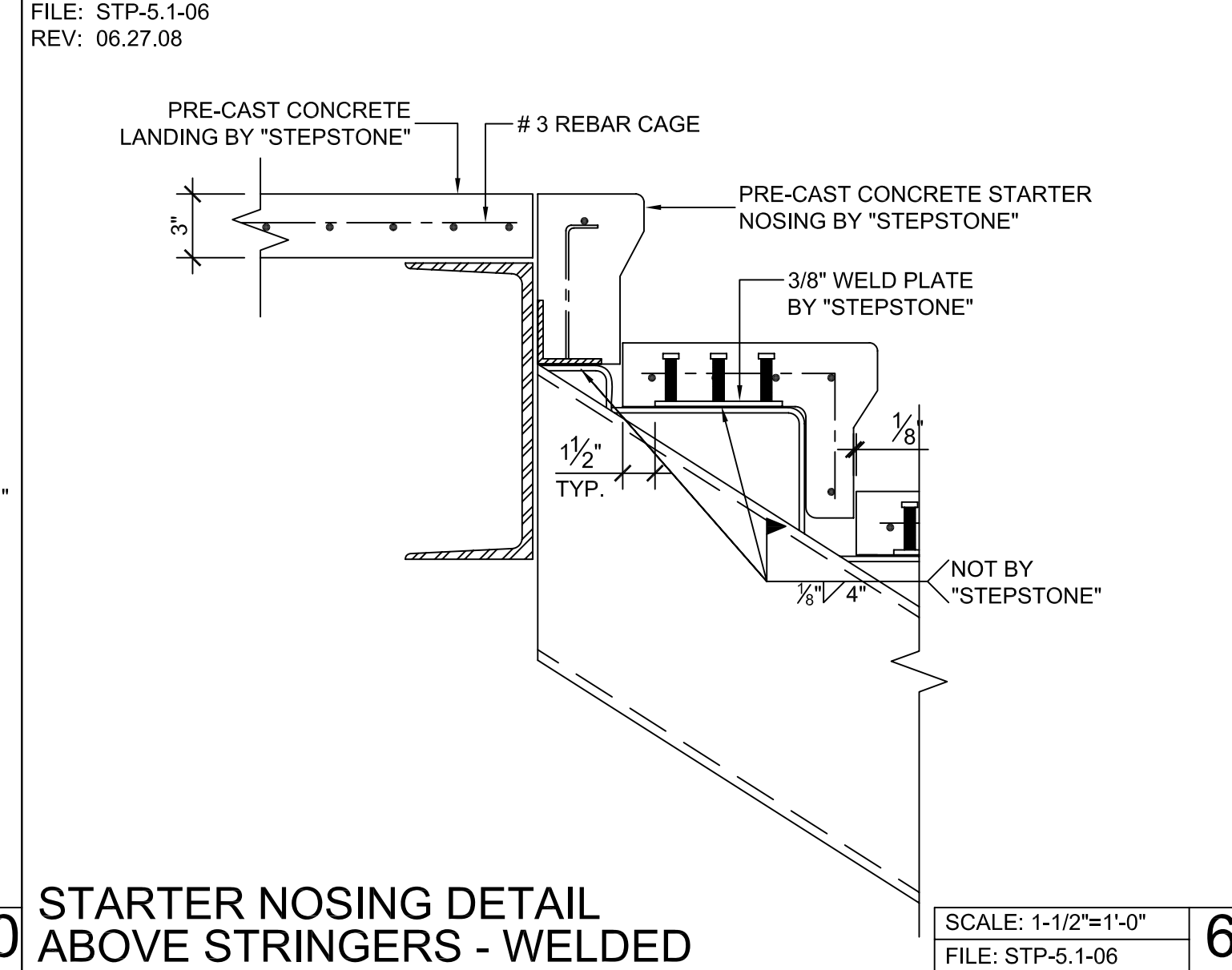
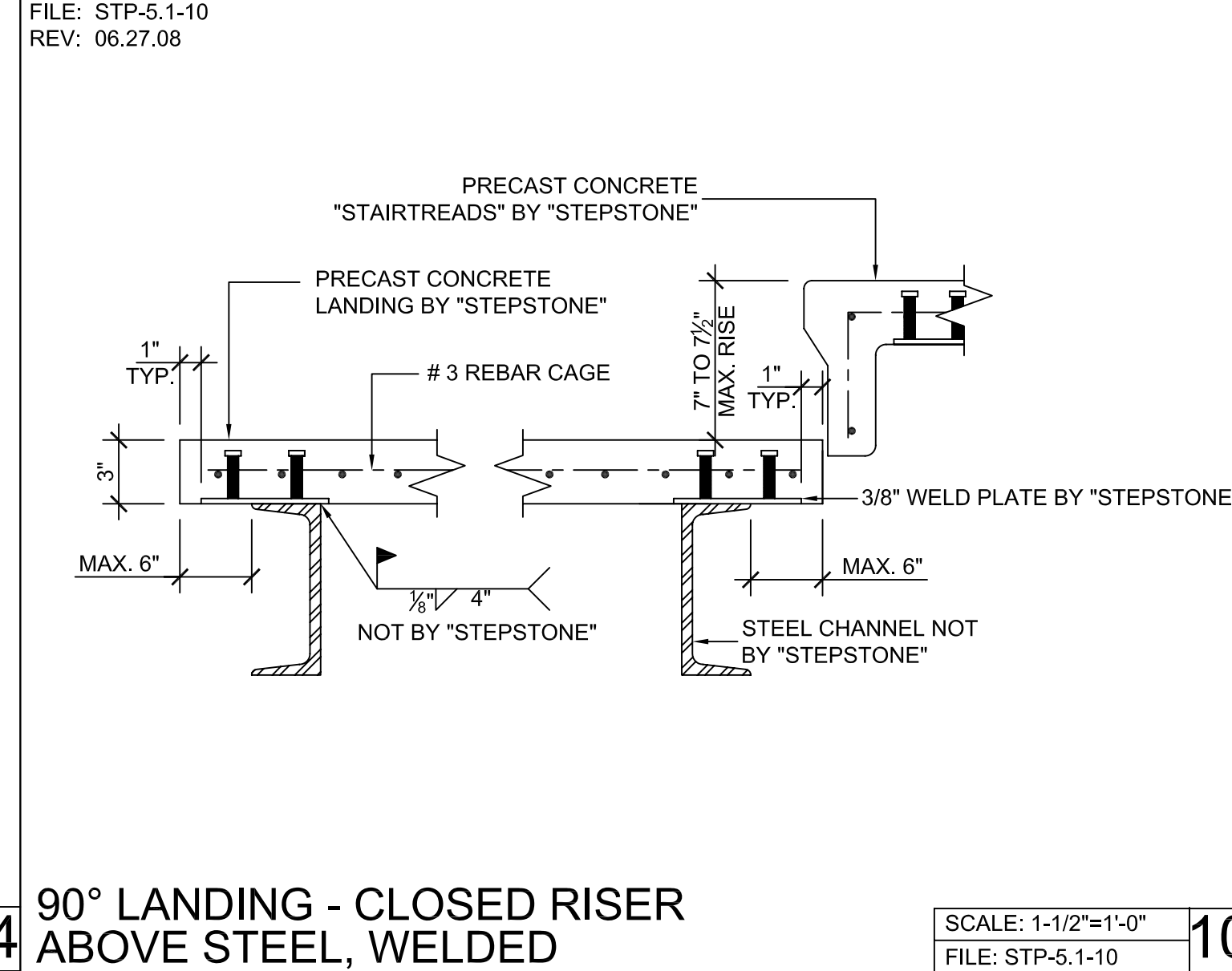
13



NOT USED

SCALE: _____
FILE: _____

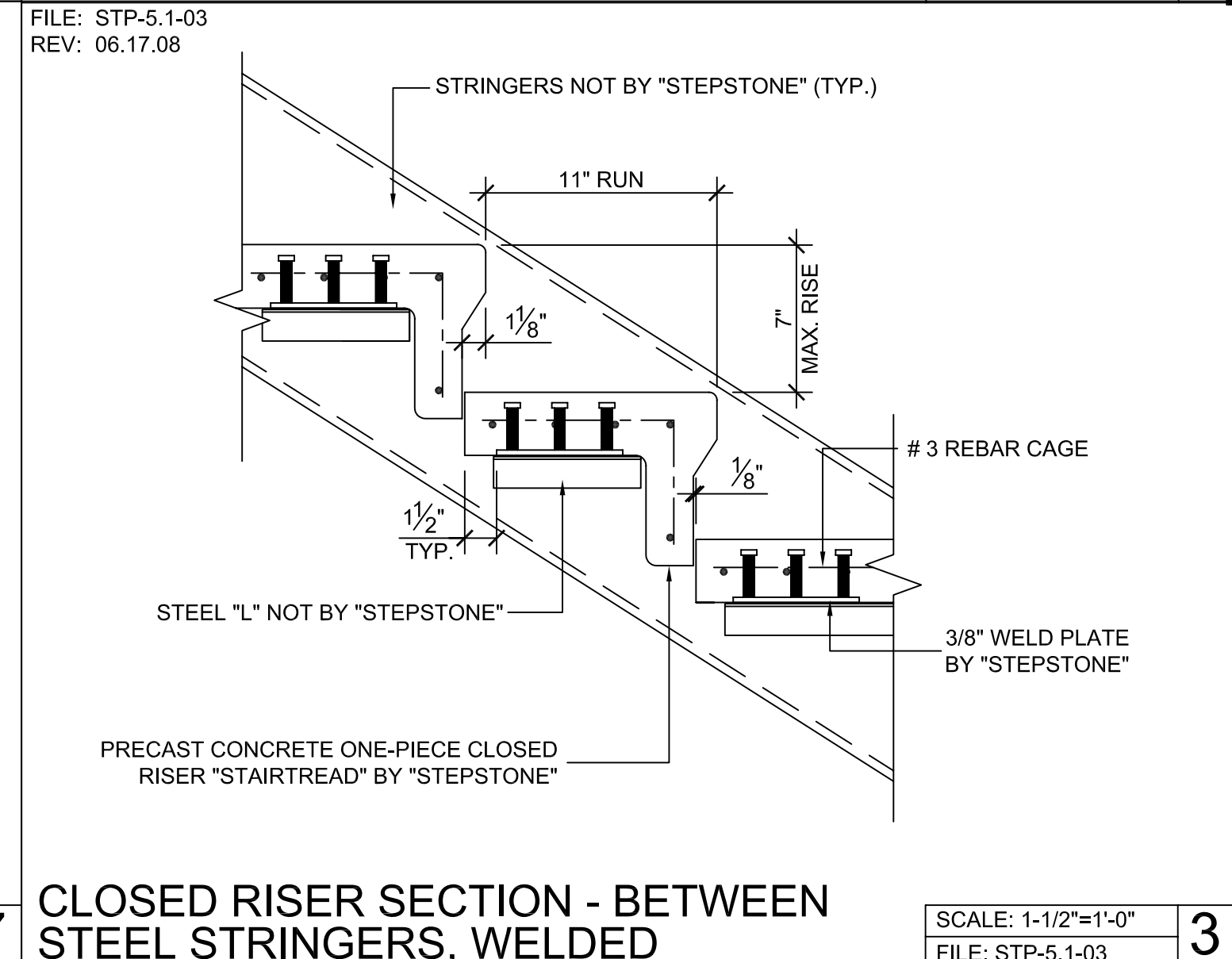
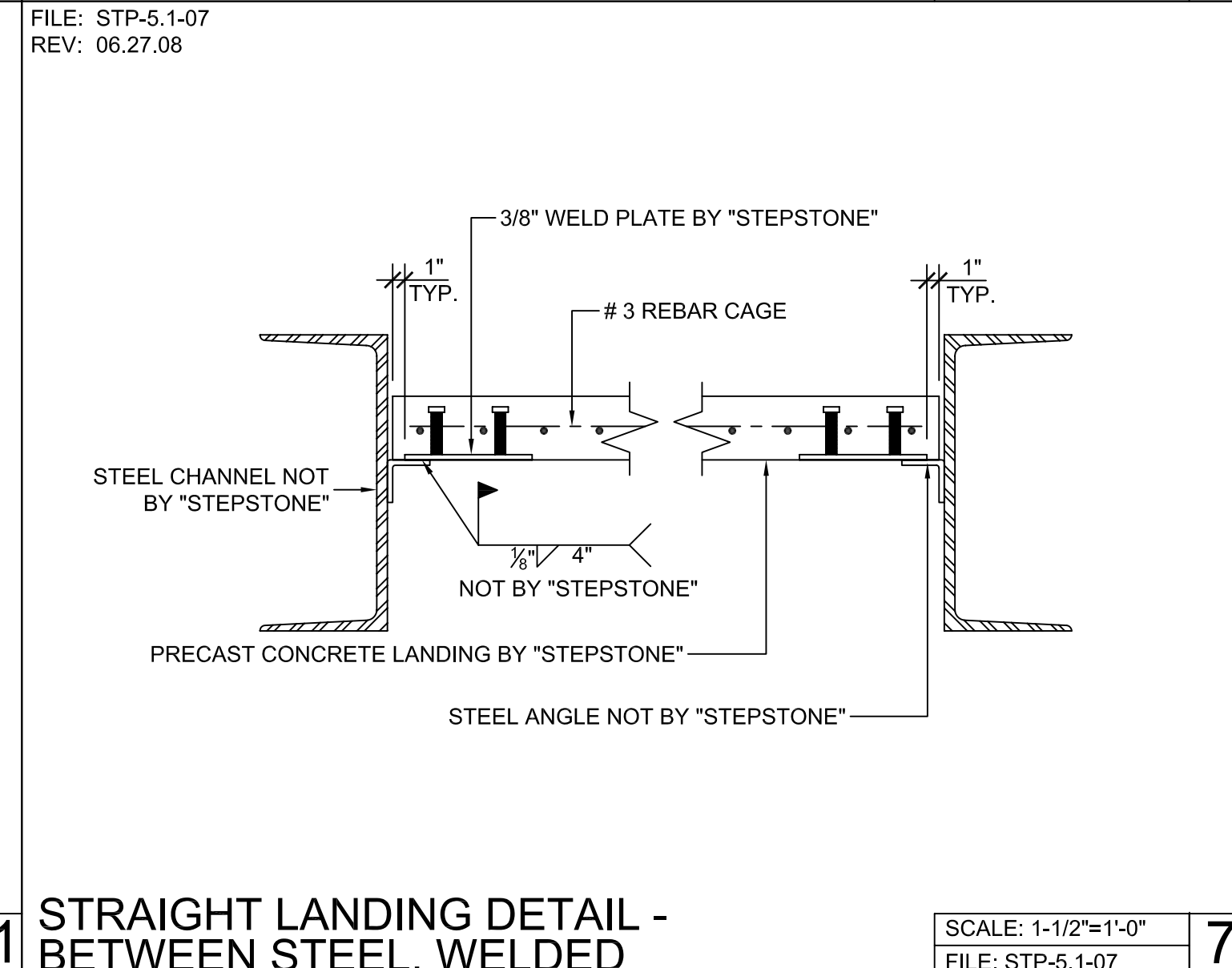
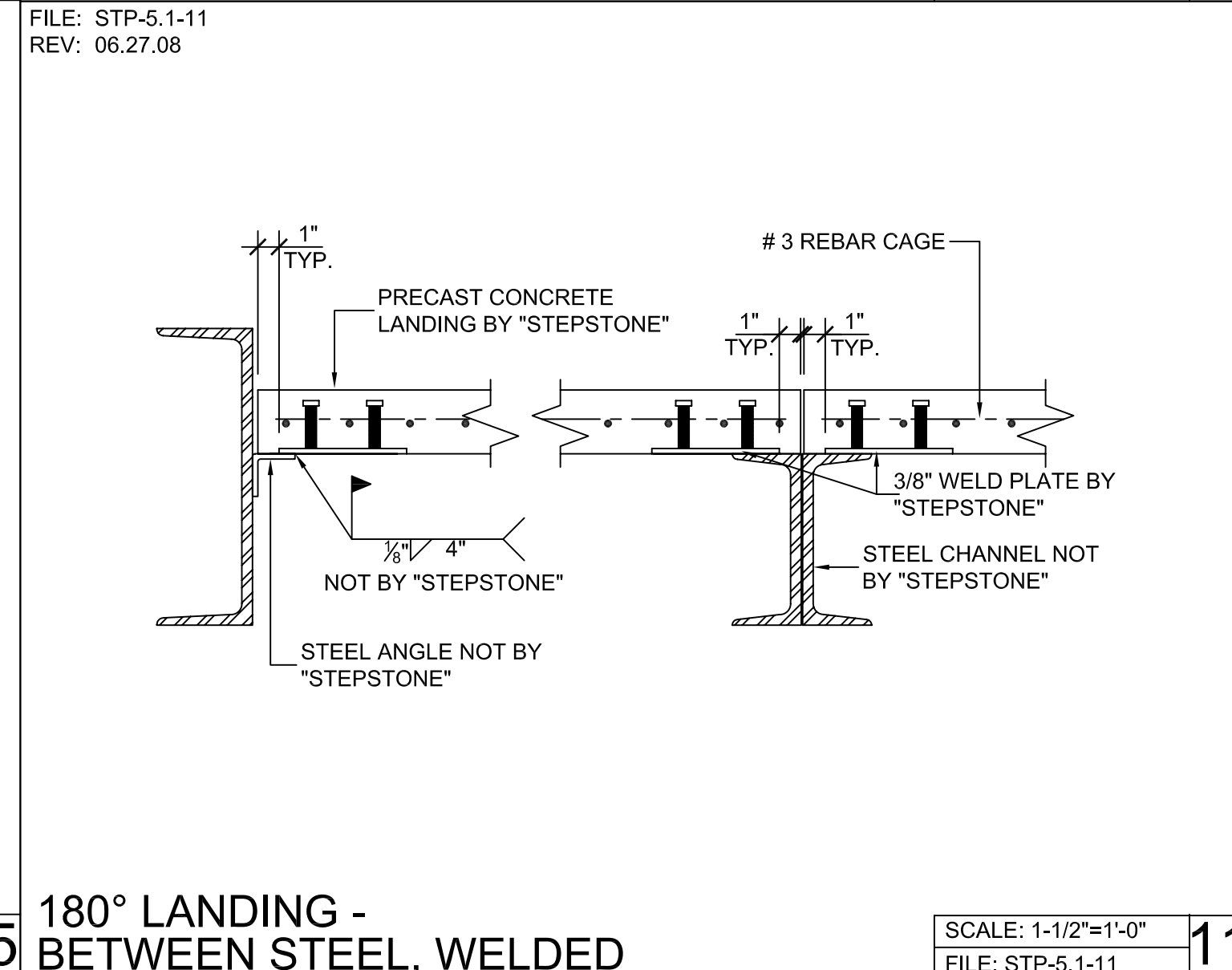
14



NOT USED

SCALE: _____
FILE: _____

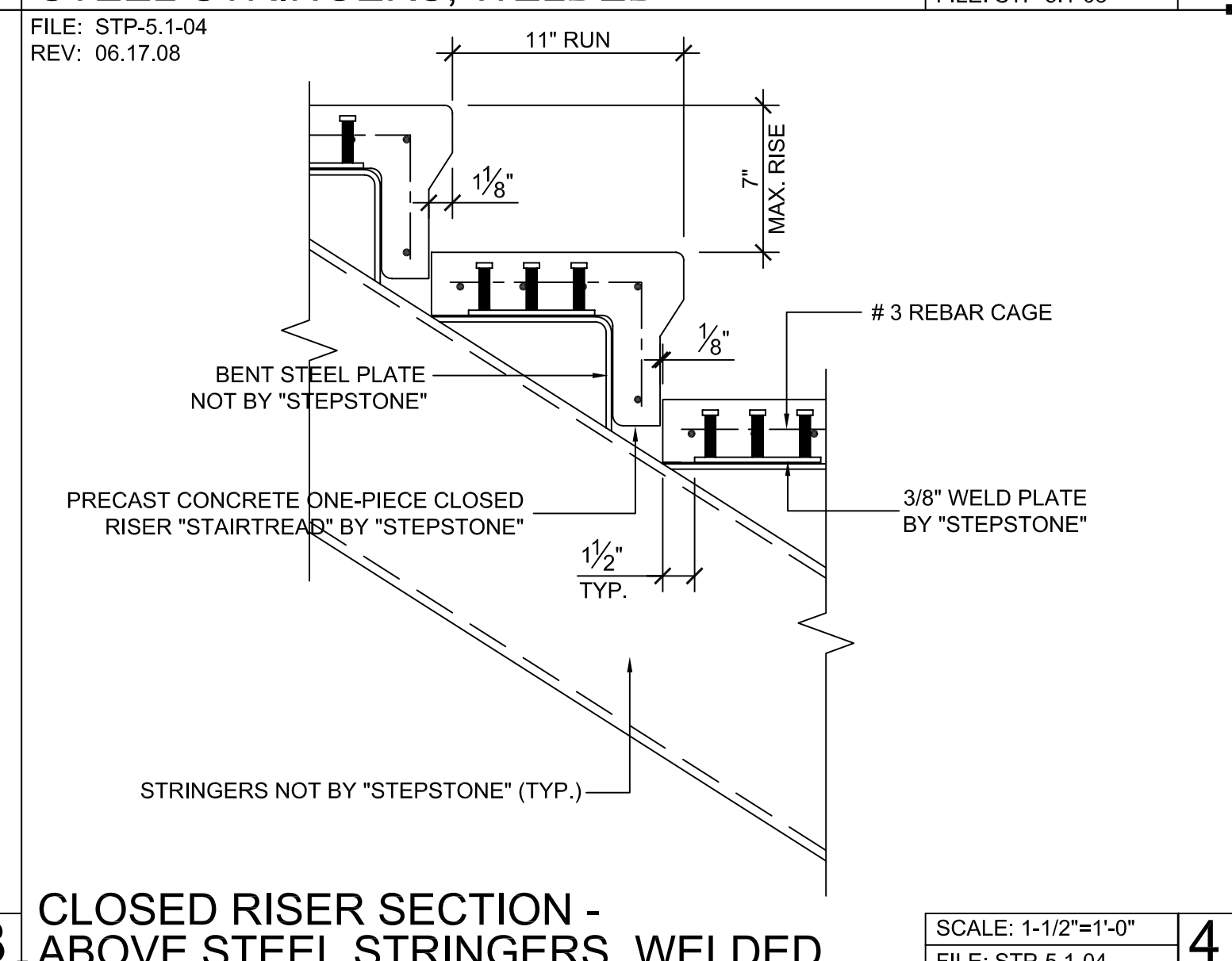
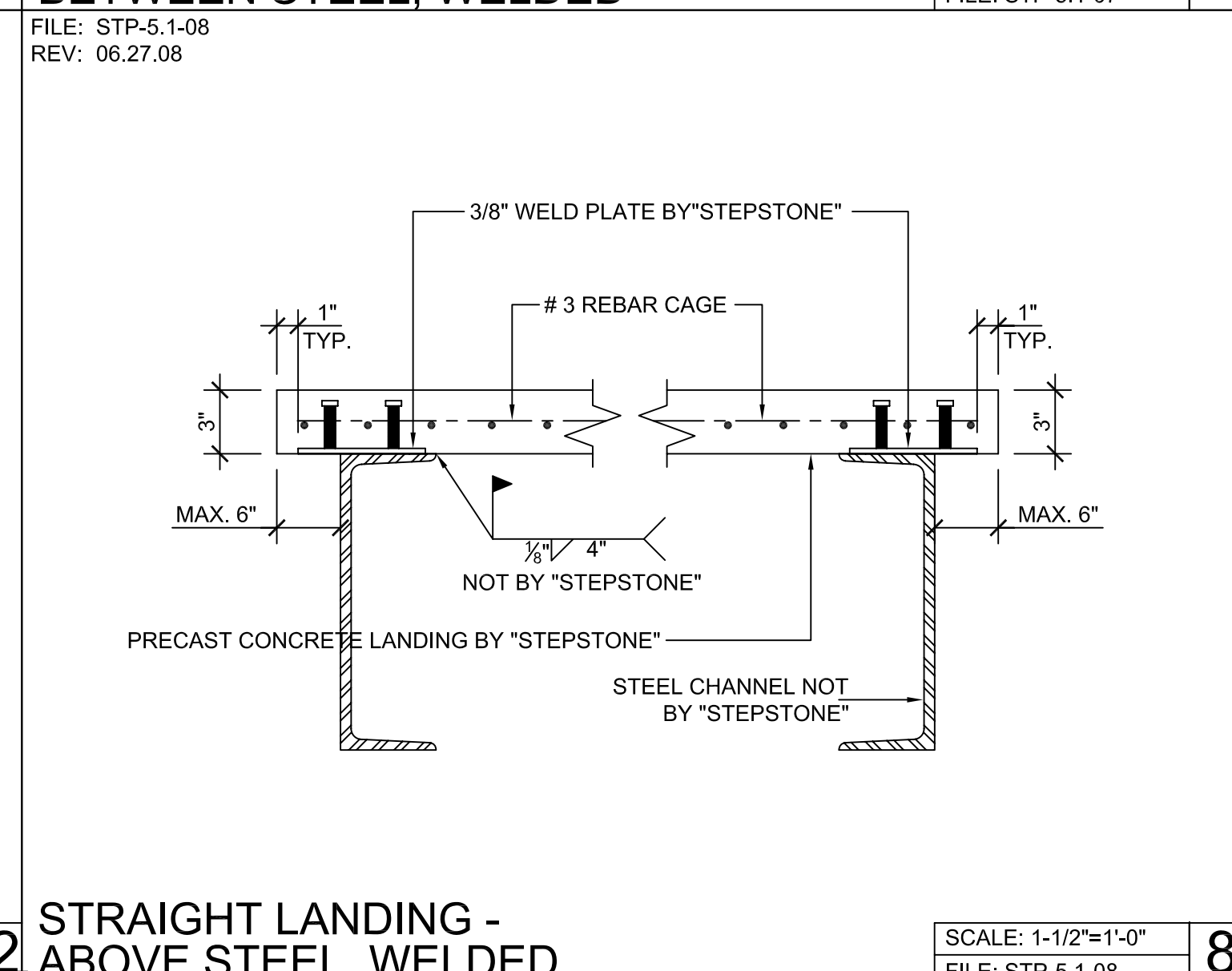
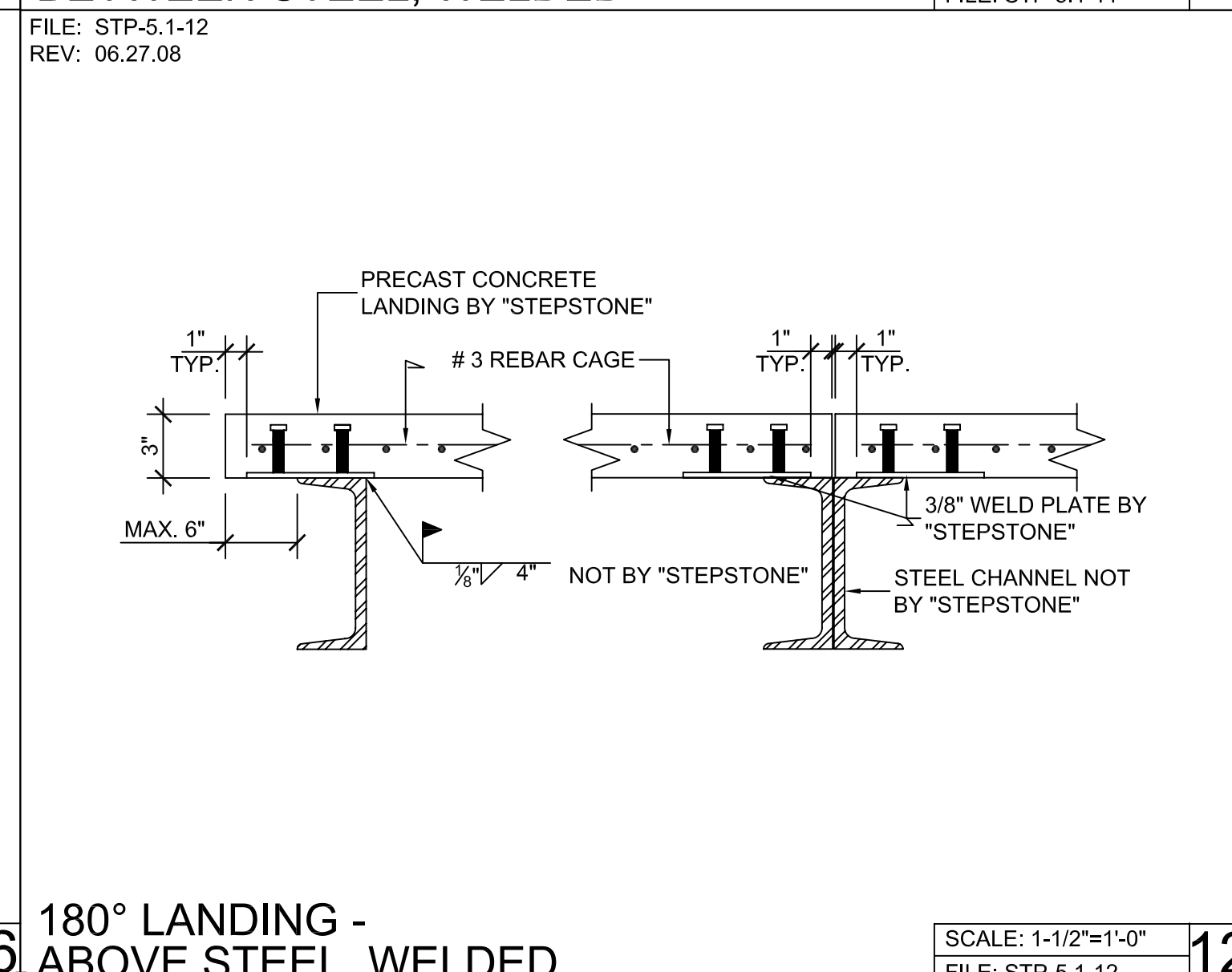
15



NOT USED

SCALE: _____
FILE: _____

16



STEPSTONE, INC.

17025 SOUTH MAIN STREET, GARDENA, CA. 90248
1-800-572-9029
WWW.STEPSTONEINC.COM



REV	BY	DESCRIPTION	DATE
1			
2			
3			

TREAD & STARTER NOSING DETAILS (STEEL STRINGERS)
REV: 06.27.08

SHEET NUMBER

STP-5.1

Stepstone Inc. - Long Span Staircase System