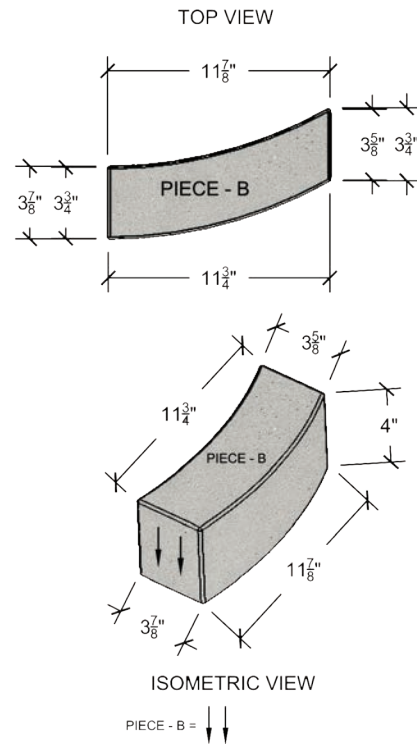
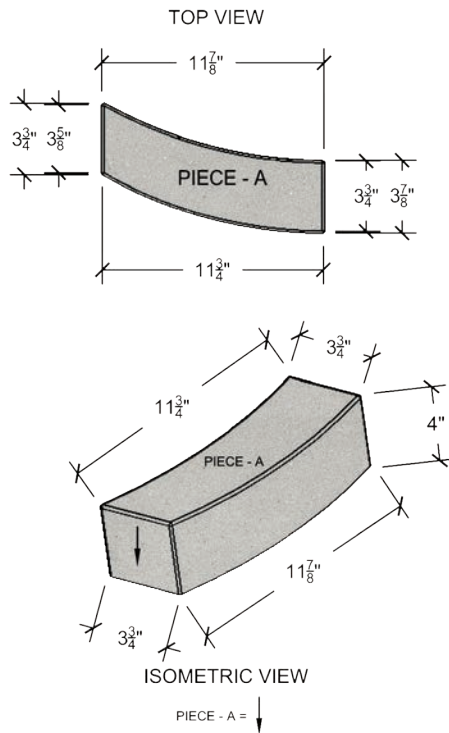




800.572.9029  
STEPSTONEPRECAST.COM

**WAVE PAVERS**



## SHORT FORM SPECIFICATION

SIZES: ALL SIZES ARE 4" THICK; ALL SIZES ARE NOMINAL  
 MATERIAL: 5,000 PSI HARDROCK CONCRETE, TYPE III CEMENT  
 FINISH: SANDBLAST OR EXPOSED AGGREGATE  
 COLOR: USING ACTUAL SAMPLES IS STRONGLY RECOMMENDED  
 DETAILS: VISIT STEPSTONEPRECAST.COM FOR DRAWINGS AND DIMENSIONS

GRANADA WHITE



FRENCH GRAY



ICEBERG GREEN



ALMOND



CAFE BROWN



CARAMEL



AGAVE



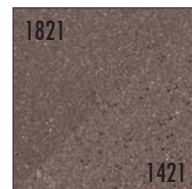
PORCELAIN



BRICK RED



KONA



PEBBLE



ADOBE



PLEASE NOTE: ALL OF OUR PRODUCTS ARE MADE BY HAND FROM NATURAL MATERIALS. VARIATIONS IN COLOR ARE TO BE EXPECTED. TO CONFIRM COLOR, PLEASE REFER TO ACTUAL CONCRETE SAMPLES BEFORE PLACING ORDER. SOME MINOR CHIPPING MAY RESULT FROM SHIPPING, BUT IS NOT DETRIMENTAL TO APPEARANCE OR FUNCTION. STEPSTONE, LLC RECOMMENDS SEALING TO AID IN GROUT REMOVAL AND CLEANING PRIOR TO INSTALLATION. GROUT NATURALLY WILL BOND WITH CONCRETE. IMMEDIATELY REMOVE ANY GROUT SLURRY THAT COMES IN CONTACT WITH THE FINISHED FACE OF THE PRECAST CONCRETE PIECES. ALL SIZES ARE NOMINAL. SEE DETAILS FOR FURTHER INFORMATION. AVAILABLE IN OTHER STANDARD COLORS. **SEE ACTUAL COLOR CONCRETE SAMPLES BEFORE ORDERING.** THIS MATERIAL IS COPYRIGHTED AND IS INTENDED SOLELY FOR THE USE OF CUSTOMERS OF STEPSTONE, LLC