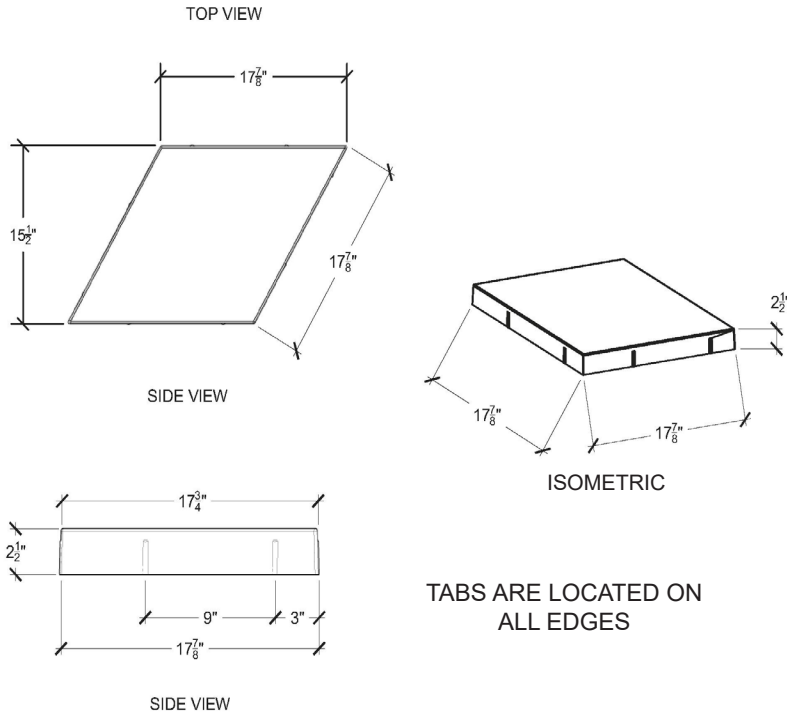




SIZES ARE NOMINAL



TABS ARE LOCATED ON ALL EDGES

SHORT FORM SPECIFICATION

SIZES:

- 18" X 15 1/2" X 2 1/2"
- All sizes are 2 1/2" thick

MATERIAL:

- 5000 PSI hard rock concrete
- Type III cement

FINISHES:

- Sandblast Finishes (Light, Medium, or Heavy)

APPLICATION:

-  Walkways
-  Plazas

DETAILS:

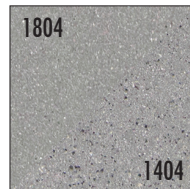
- Visit STEPSTONEPRECAST.COM for dimensions & drawings

STANDARD COLORS

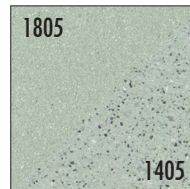
GRANADA WHITE



FRENCH GRAY



ICEBERG GREEN



ALMOND



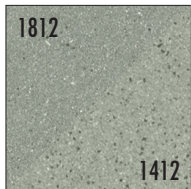
CAFE BROWN



CARAMEL



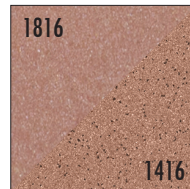
AGAVE



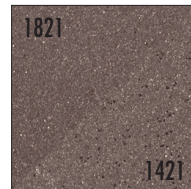
PORCELAIN



BRICK RED



KONA



PEBBLE



ADOBE



ALL PRODUCTS ARE HANDMADE FROM NATURAL MATERIALS; VARIATIONS IN COLOR ARE TO BE EXPECTED. To confirm color, please refer to physical concrete samples before placing an order. Products are available in 12 standard colors. Some minor chipping may occur during shipping; this does not affect the appearance or function of the product. Sealing prior to installation is recommended to aid in grout removal and cleaning. Grout will naturally bond with concrete, any grout slurry that comes into contact with the finished face should be removed immediately. All sizes are nominal. See product details for additional information at stepstoneprecast.com. This material is copyrighted and intended solely for Stepstone, LLC customers.